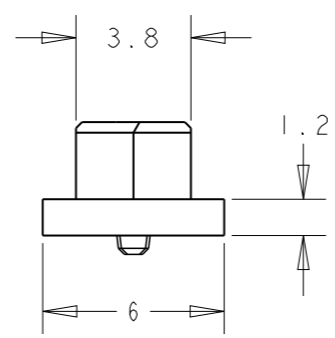
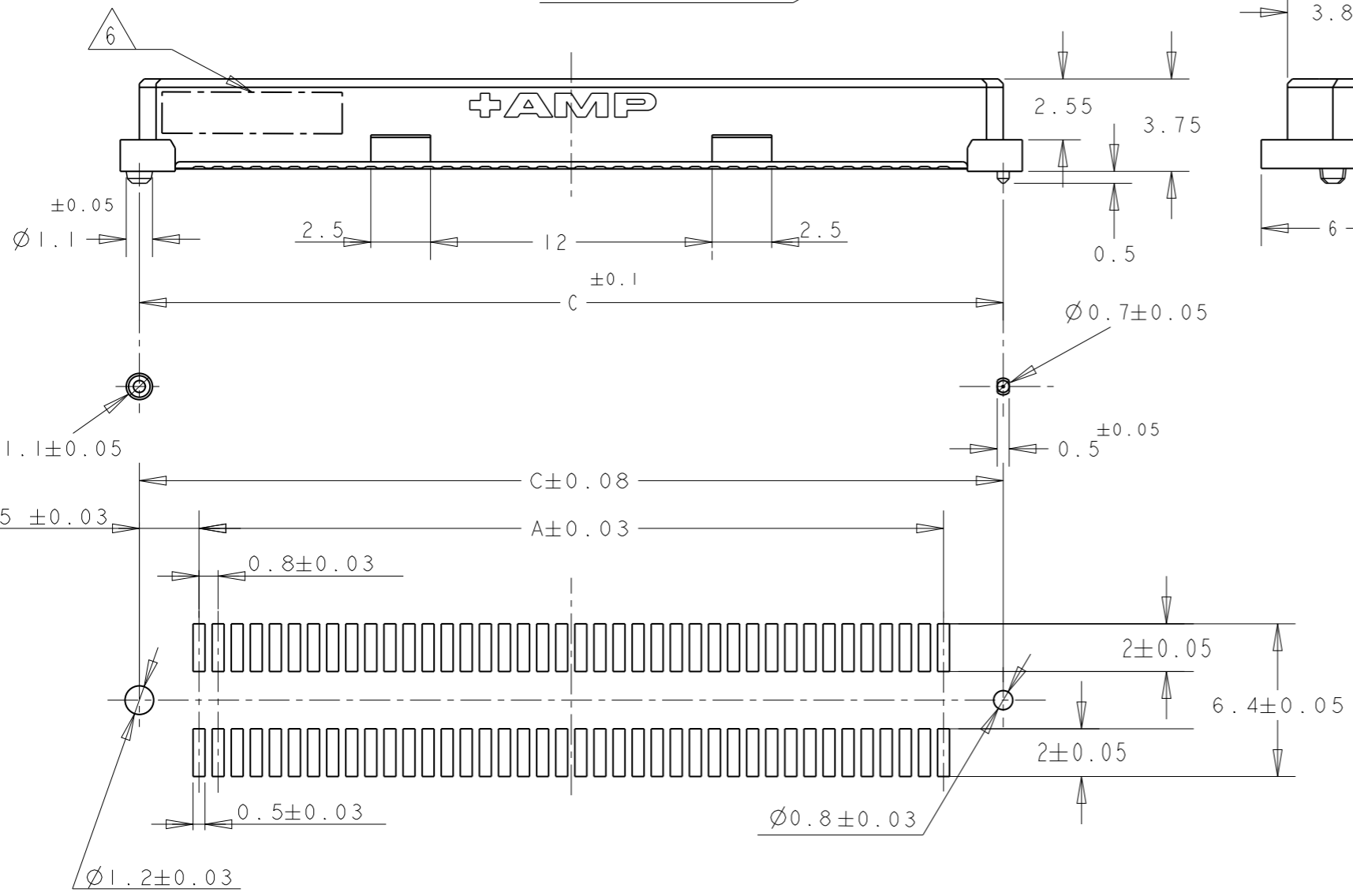
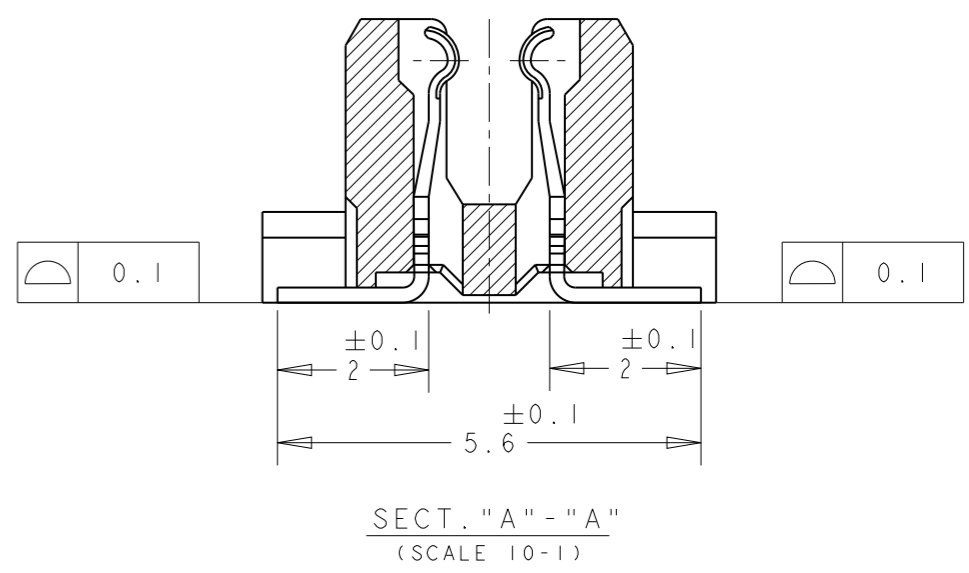
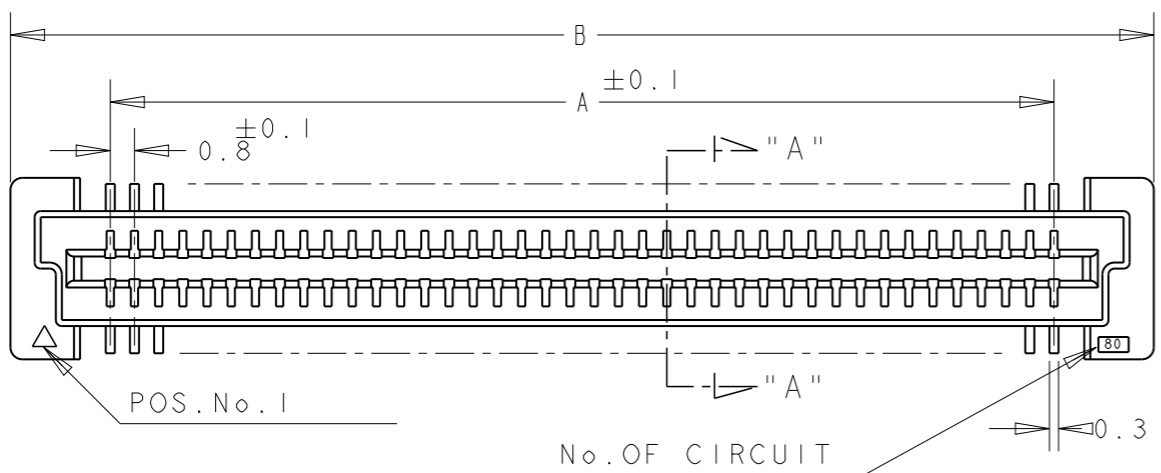


THIS DRAWING IS UNPUBLISHED. RELEASED FOR PUBLICATION .19 .  
 © COPYRIGHT 19 BY AMP INCORPORATED. ALL RIGHTS RESERVED.

LOC		DIST		REVISIONS					
DY		-		P	LTR	DESCRIPTION	DATE	DWN	APVD
				B		REVISED PER ECR-10-011637	01JUN2010	SYJ	LSF



NOTES:

- 1 MATERIAL: HOUSING: L.C.P (HIGH TEMP THERMOPLASTIC) UL 94V-0, NATURAL. CONTACT: COPPER ALLOY.
- 2 FINISH: CONTACT AREA: 0.0002 MIN GOLD ON 0.0013 MIN ALL OVER NICKEL. SOLDERING AREA: 0.002 MIN MATTE TIN.
- 3. POSITION SERIES: SEE TABLE.
- 4. CONN STACK HEIGHT COMBINE OF PLUG "Y" H VS REC "X" H. STACK HEIGHT = Y + X - 5
- 5 FINISH: CONTACT AREA: 0.00038 MIN GOLD ON 0.0013 MIN ALL OVER NICKEL. SOLDERING AREA: 0.002 MIN MATTE TIN.
- 6 DATE CODE MARKING.

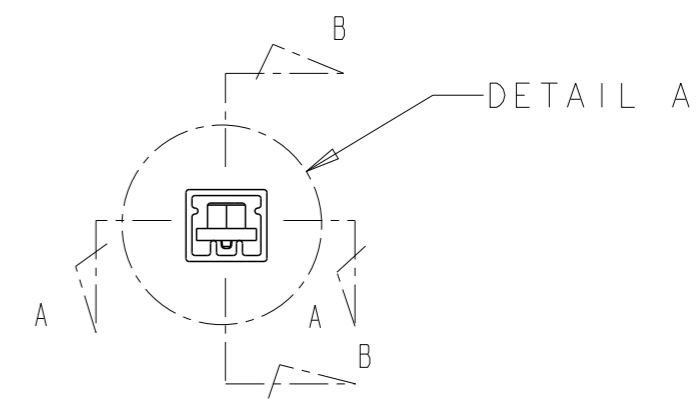
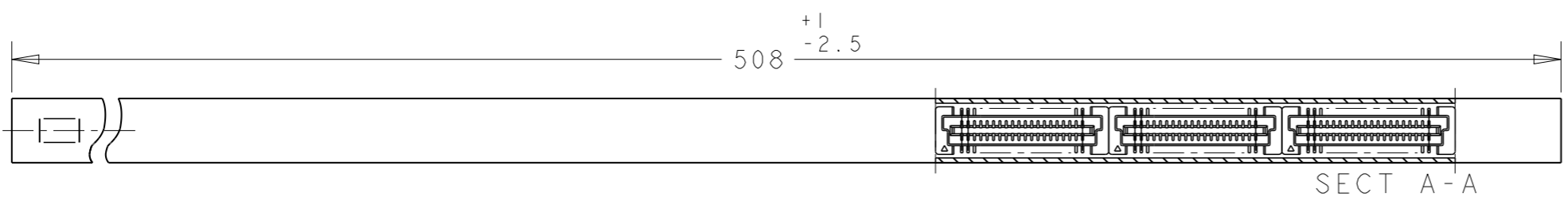
P/N SEE SHEET 2 OF 2.

RECOMMENDED P.C. BOARD LAYOUT

THIS DRAWING IS A CONTROLLED DOCUMENT FOR AMP INCORPORATED. IT IS SUBJECT TO CHANGE AND THE CONTROLLING ENGINEERING ORGANIZATION SHOULD BE CONTACTED FOR THE LATEST REVISION.		DWN SK LEAW 17MAY2004	Tyco Electronics Corporation Singapore	
DIMENSIONS: mm		CHK ERIC TNG	NAME RECEPTACLE ASSEMBLY 5H TYPE (0.5 BOSS LENGTH) FOR FH0.8MM PITCH B-T-B CONNECTOR	
TOLERANCES UNLESS OTHERWISE SPECIFIED: 0 PLC ±.3 1 PLC ±0.3 2 PLC ±0.25 3 PLC ±0.2 4 PLC ±.2 ANGLES ±3°		APVD SE LEONG	SIZE A3	
MATERIAL		PRODUCT SPEC 108-5390	CAGE CODE 00779	DRAWING NO C=5177983
FINISH SEE P/N TABLE		APPLICATION SPEC 114-5254	SCALE 4:1	
MATERIAL		WEIGHT -	SHEET 1 OF 2	
MATERIAL		CUSTOMER DRAWING	REV B	

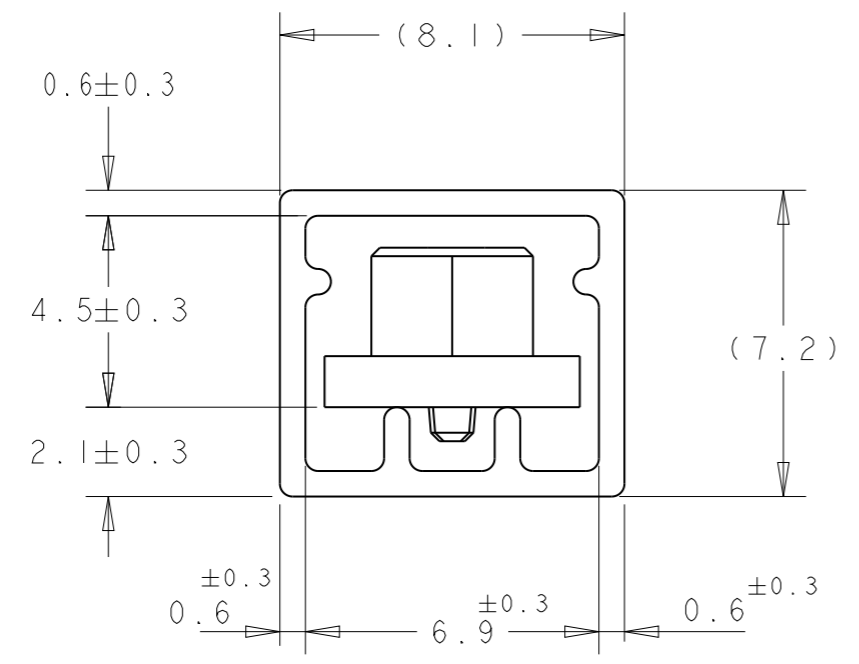
THIS DRAWING IS UNPUBLISHED. RELEASED FOR PUBLICATION .19 .  
 © COPYRIGHT 19 BY AMP INCORPORATED. ALL RIGHTS RESERVED.

LOC DY	DIST -	REVISIONS			
P	LTR	DESCRIPTION	DATE	DWN	APVD
	-	SEE SHEET 1 OF 2	-	-	-



REFERENCE PICTURE OF TUBE PACK

SECT B-B



DETAIL A

5	5	84.2	85.8	79.2	200	2-	-0
	6	76.2	77.8	71.2	180	1-	-9
	6	68.2	69.8	63.2	160	1-	-8
	7	60.2	61.8	55.2	120	1-	-6
	9	52.2	53.8	47.2	120	1-	-5
	10	44.2	45.8	39.2	100	1-	-4
	12	36.2	37.8	31.2	80	1-	-3
	16	28.2	29.8	23.2	60	1-	-2
	22	20.2	21.8	15.2	40	1-	-1
	2	5	84.2	85.8	79.2	200	1-
6		76.2	77.8	71.2	180		-9
6		68.2	69.8	63.2	160		-8
7		60.2	61.8	55.2	140		-6
9		52.2	53.8	47.2	120		-5
10		44.2	45.8	39.2	100		-4
	12	36.2	37.8	31.2	80		-3
	16	28.2	29.8	23.2	60		-2
	22	20.2	21.8	15.2	40		-1
FINISH	QTY	C	B	A	POS	CONN	P/N

THIS DRAWING IS A CONTROLLED DOCUMENT FOR AMP INCORPORATED. IT IS SUBJECT TO CHANGE AND THE CONTROLLING ENGINEERING ORGANIZATION SHOULD BE CONTACTED FOR THE LATEST REVISION.		DWN SK LEAW 17MAY2004	Tyco Electronics Corporation Singapore	
DIMENSIONS: mm	TOLERANCES UNLESS OTHERWISE SPECIFIED: 0 PLC ±.3 1 PLC ±0.3 2 PLC ±0.25 3 PLC ±0.2 4 PLC ±. ANGLES ±3°	CHK ERIC TNG	NAME RECEPTACLE ASSEMBLY 5H TYPE (0.5 BOSS LENGTH) FOR FH0.8MM PITCH B-T-B CONNECTOR	
MATERIAL SEE NOTE 1	FINISH SEE P/N TABLE	APVD SE LEONG	PRODUCT SPEC 108-5390	SIZE A3
		APPLICATION SPEC 114-5254	WEIGHT -	CAGE CODE 00779
		CUSTOMER DRAWING	DRAWING NO G-5177983	SCALE -
				SHEET 2 OF 2
				REV B