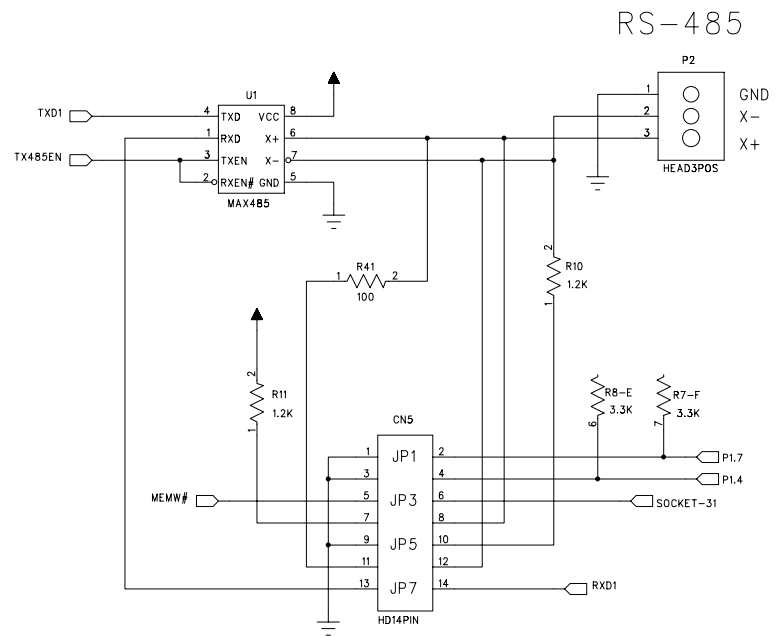
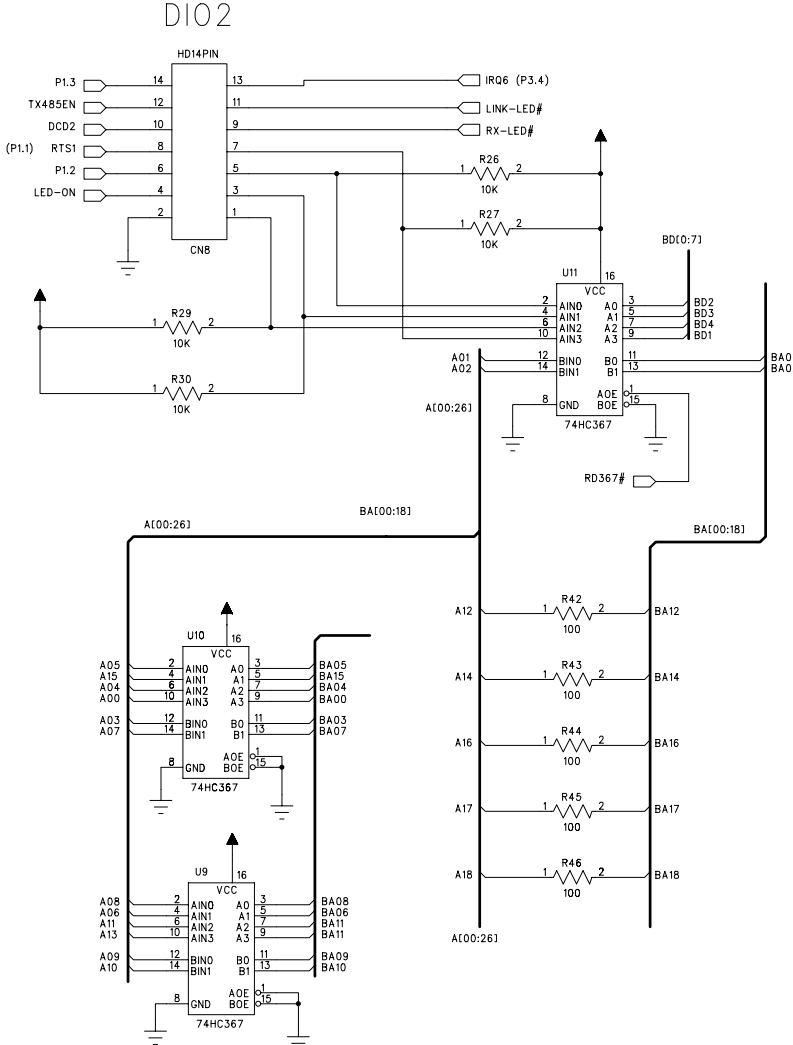
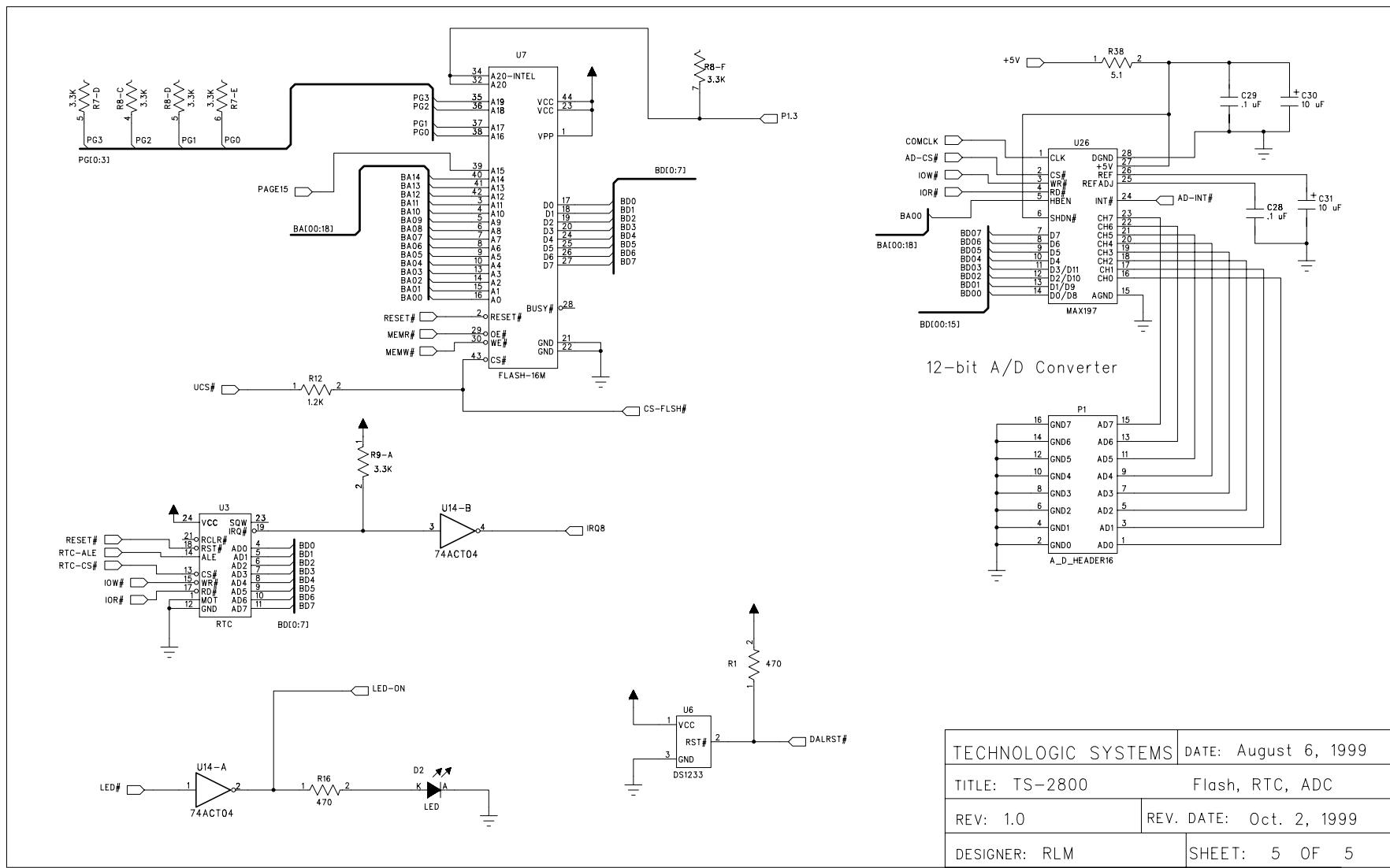


TECHNOLOGIC SYSTEMS	DATE: August 6, 1999
TITLE: TS-2800	Ethernet. DIO1
REV: 1.0	REV. DATE: Oct. 2, 1999
DESIGNER: RLM	SHEET: 3 OF 5



- JP1 = Enable Man. mode
- JP2 = Enable Console to COM2
- JP3 = MEMW# to Socket pin 31
- JP4,5 = Add Bias Resistors
- JP6 = Add Termination Resistor
- JP7 = Enable RS-485

TECHNOLOGIC SYSTEMS		DATE: August 6, 1999
TITLE: TS-2800 Add Buffers, RS-485, DIO2		
REV: 1.0	REV. DATE: Oct. 2, 1999	
DESIGNER: RLM	SHEET: 4 OF 5	



TECHNOLOGIC SYSTEMS	DATE: August 6, 1999
TITLE: TS-2800	Flash, RTC, ADC
REV: 1.0	REV. DATE: Oct. 2, 1999
DESIGNER: RLM	SHEET: 5 OF 5