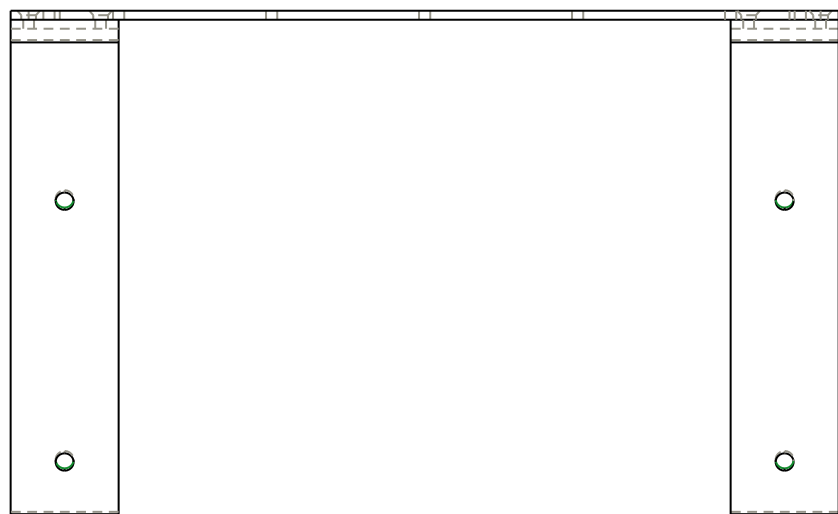
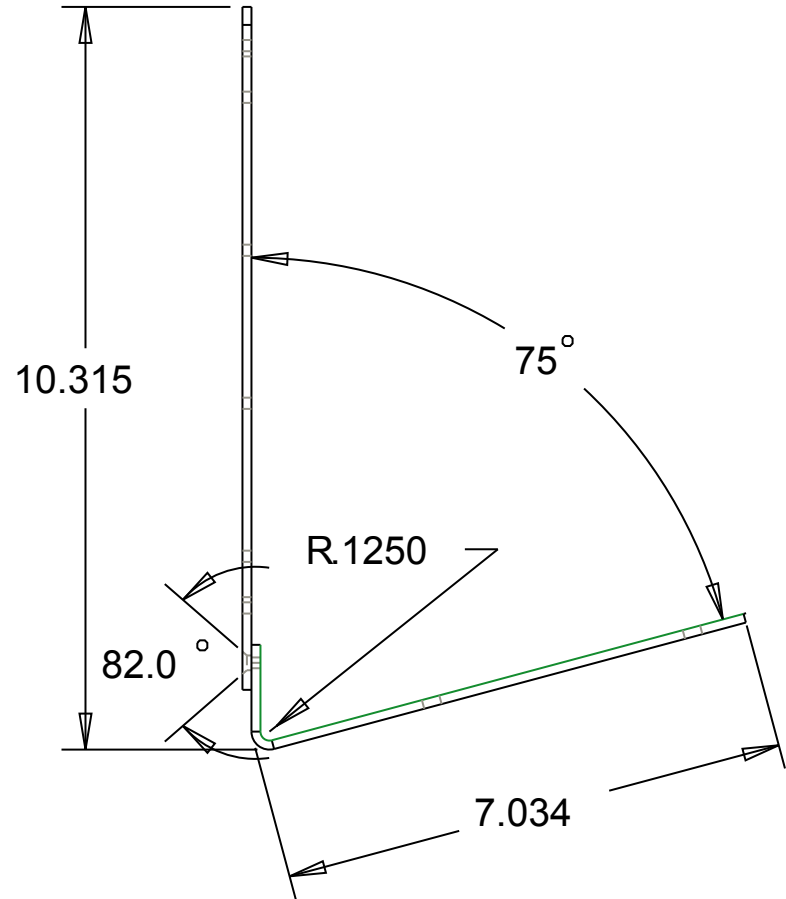
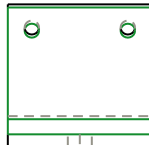
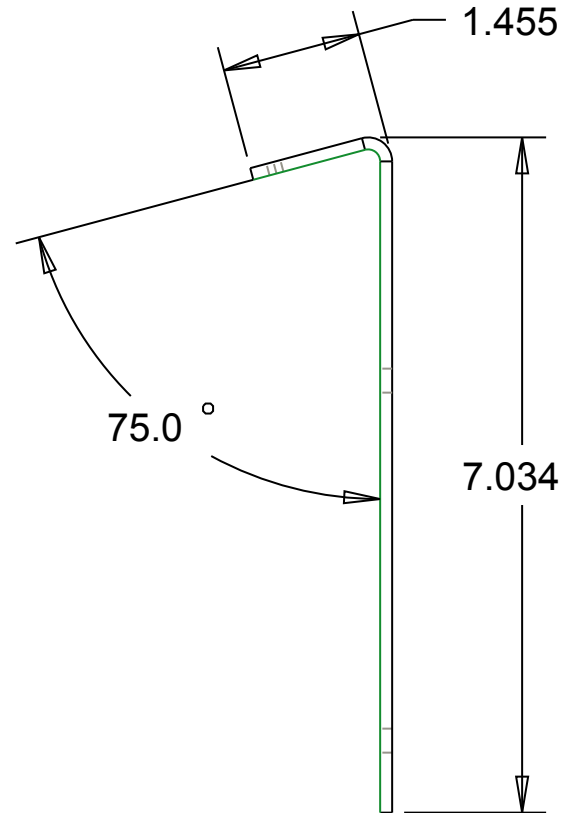


$\varnothing .205$   
 $\varnothing .3126$  C'SINK  
 $\varnothing .156$



$1.500$

TWO-PART-TOUCH-STAND



tap 10-32 2 places

BASE