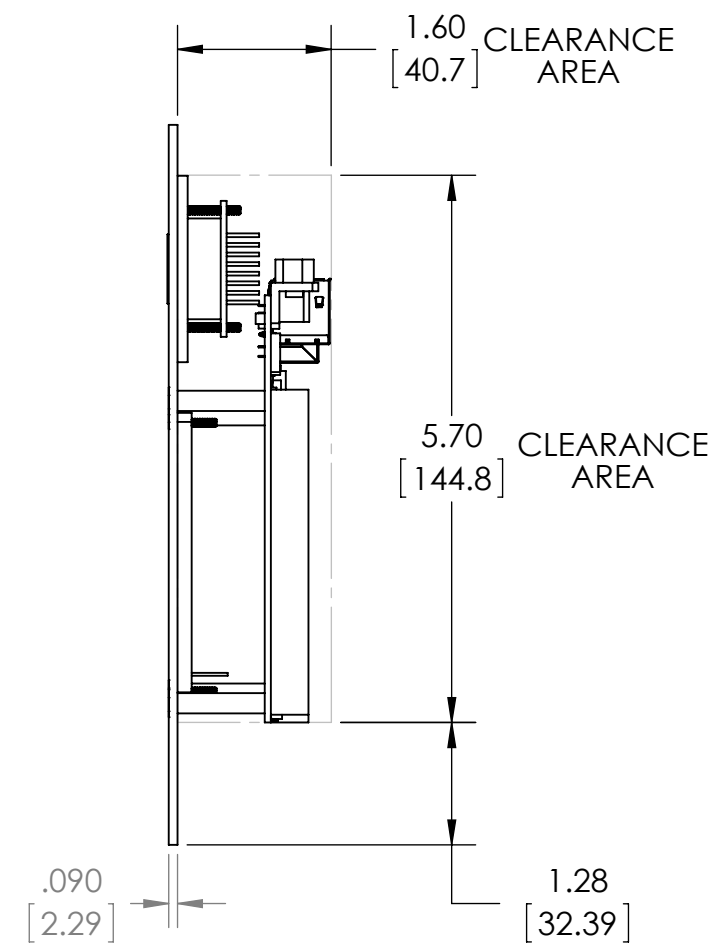
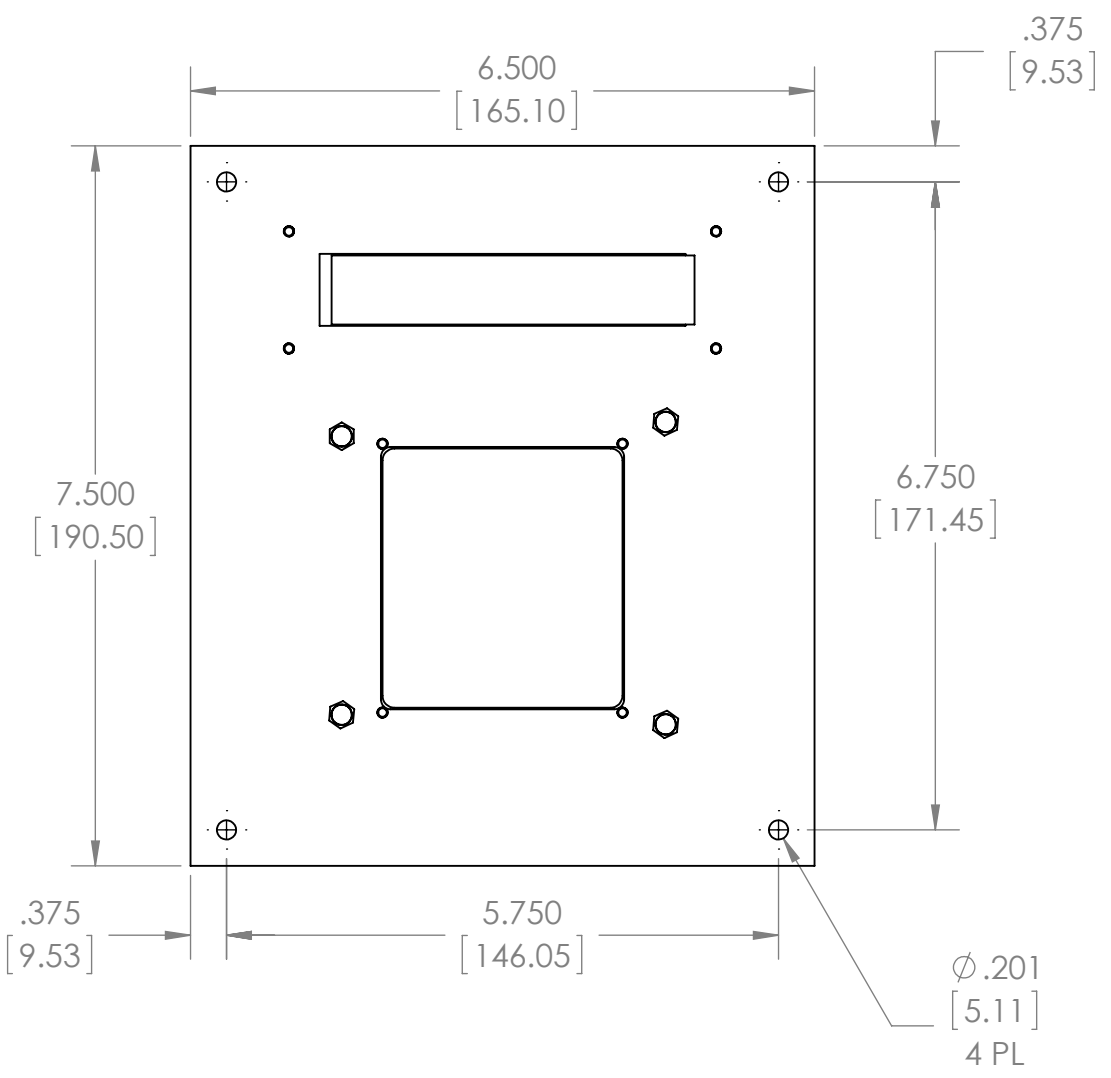
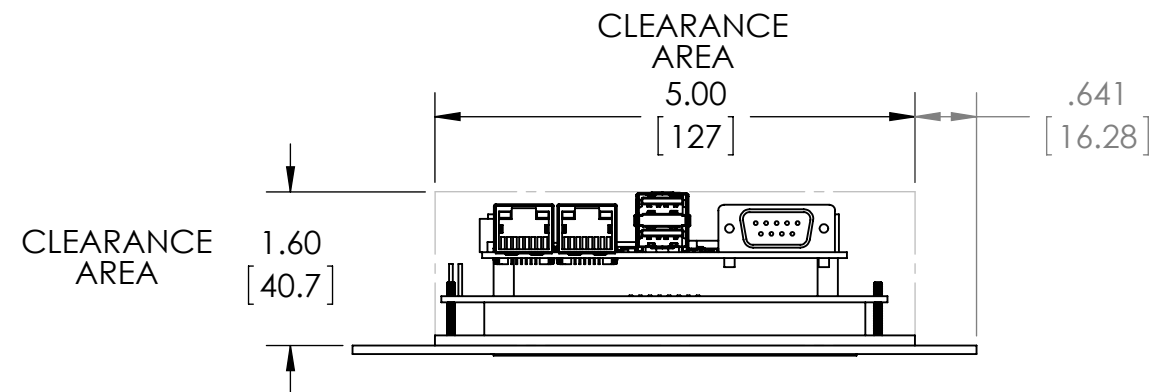


8 7 6 5 4 3 2 1

REVISIONS				
ZONE	REV.	DESCRIPTION	DATE	APPROVED
	A0.0	Original Release	7/12/2016	JRK



**GENERAL NOTES:**

1. Dimensions are in Inches & [Metric]

**PROPRIETARY AND CONFIDENTIAL**  
 THE INFORMATION CONTAINED IN THIS DRAWING IS THE SOLE PROPERTY OF **Technologic Systems**. ANY REPRODUCTION IN PART OR AS A WHOLE WITHOUT THE WRITTEN PERMISSION OF **Technologic Systems** IS PROHIBITED.

NEXT ASSY	USED ON	
APPLICATION		DO NOT SCALE DRAWING

UNLESS OTHERWISE SPECIFIED:  
 DIMENSIONS ARE IN INCHES  
 TOLERANCES:  
 FRACTIONAL  $\pm 1/64$   
 ANGULAR: MACH  $\pm .25^\circ$  BEND  $\pm 1^\circ$   
 x.xxx  $\pm .005$   
 x.xx  $\pm .010$   
 x.x  $\pm .020$   
 INTERPRET GEOMETRIC TOLERANCING PER:  
 MATERIAL None  
 FINISH None

	NAME	DATE
DRAWN	JRK	7/12/16
CHECKED	JRK	7/12/16
ENG APPR.		
MFG APPR.		
Q.A.		
COMMENTS:		



TITLE: **KPAD- LCD, Mounting & Clearances**

SIZE	DWG. NO.	
<b>B</b>	<b>02-0350-3</b>	<b>A0.0</b>
SCALE: NONE	SHEET 1 OF 1	

8 7 6 5 4 3 2 1