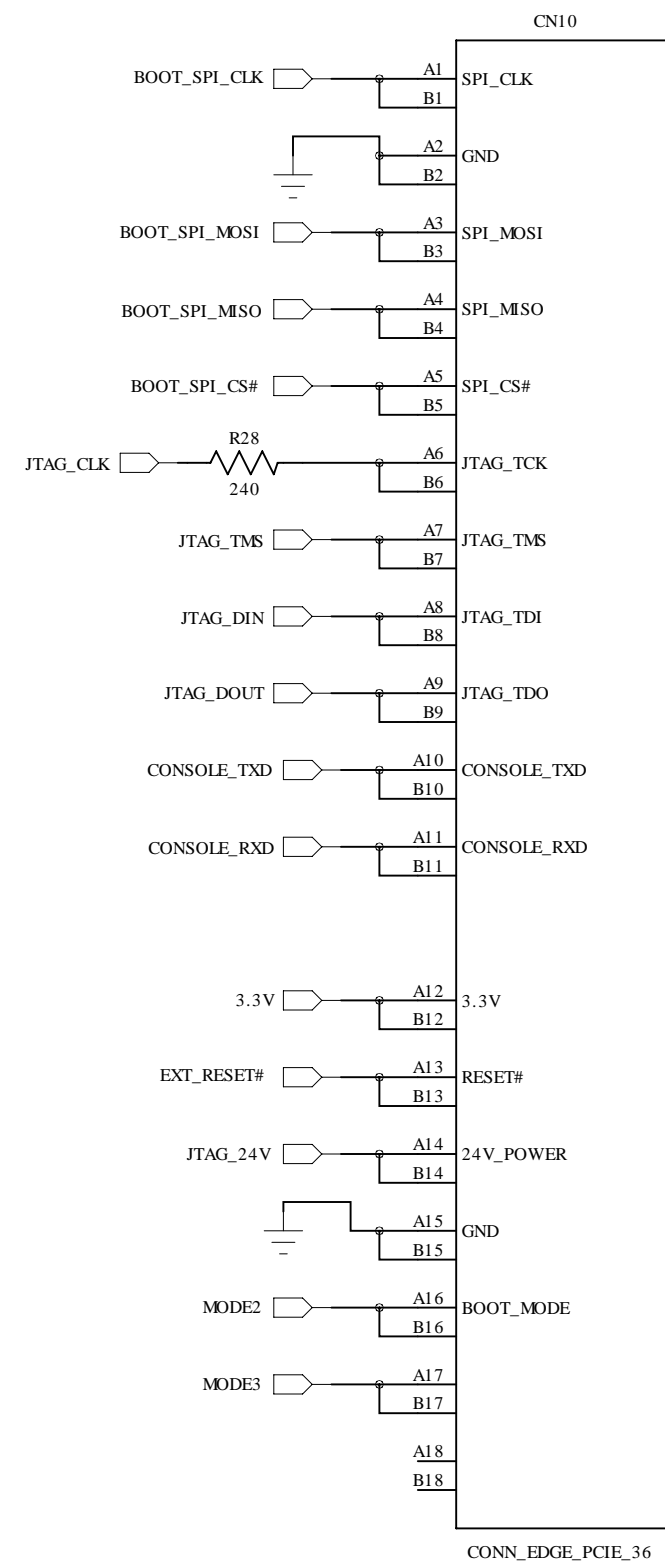


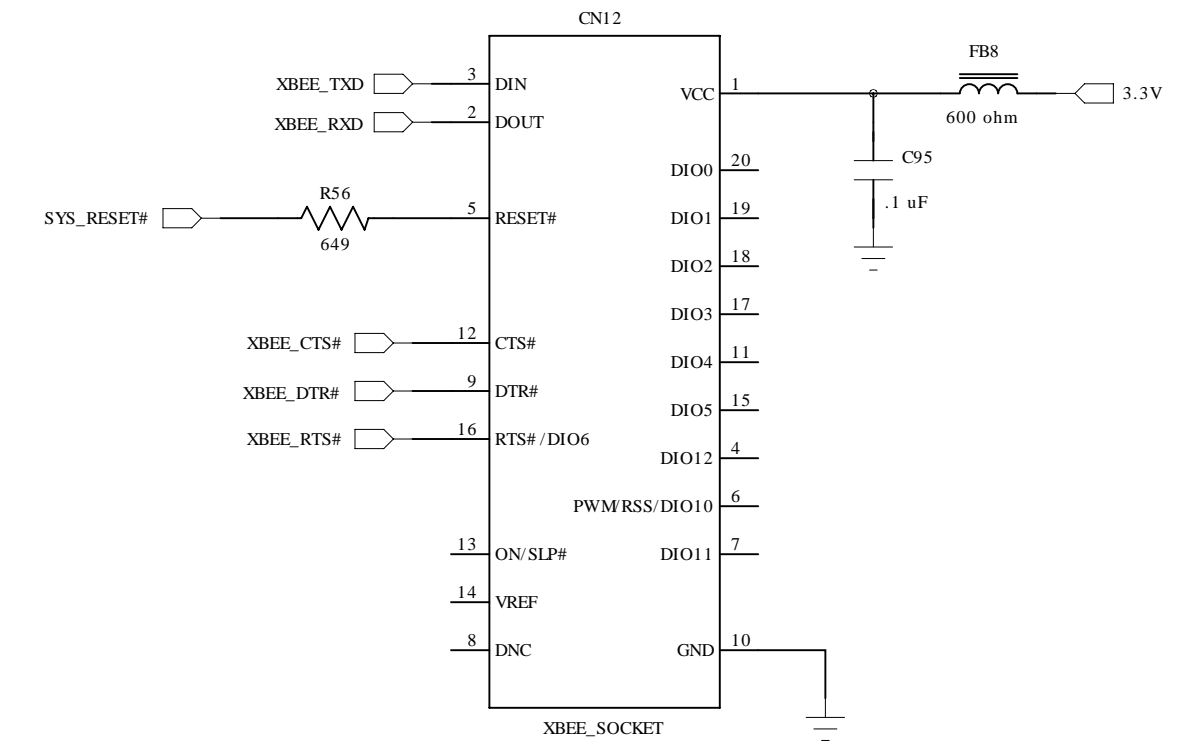
JTAG

PCIe Edge Conn.

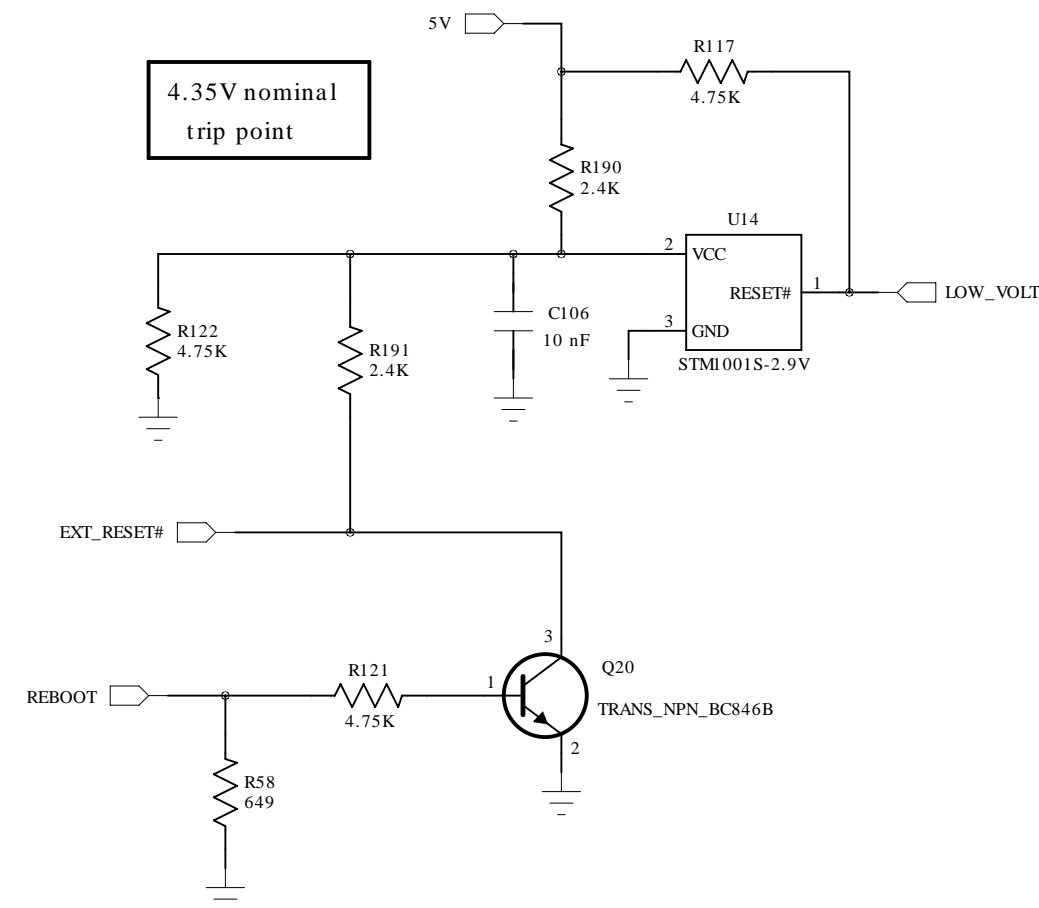


Xbee Radio

Digi/MaxStream ZigBee Radio



System Reset



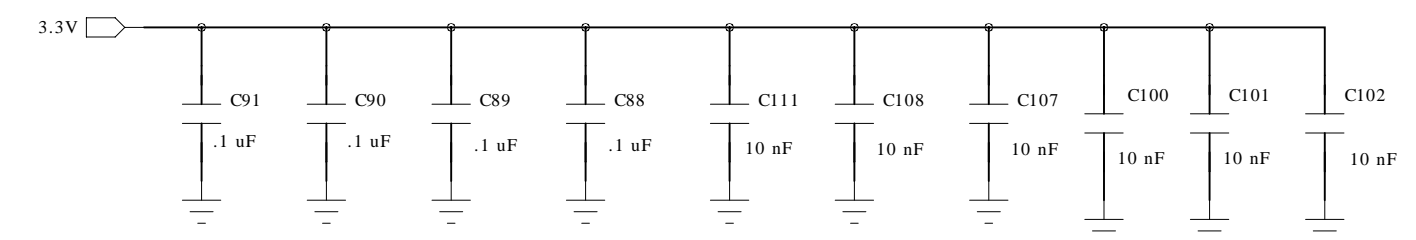
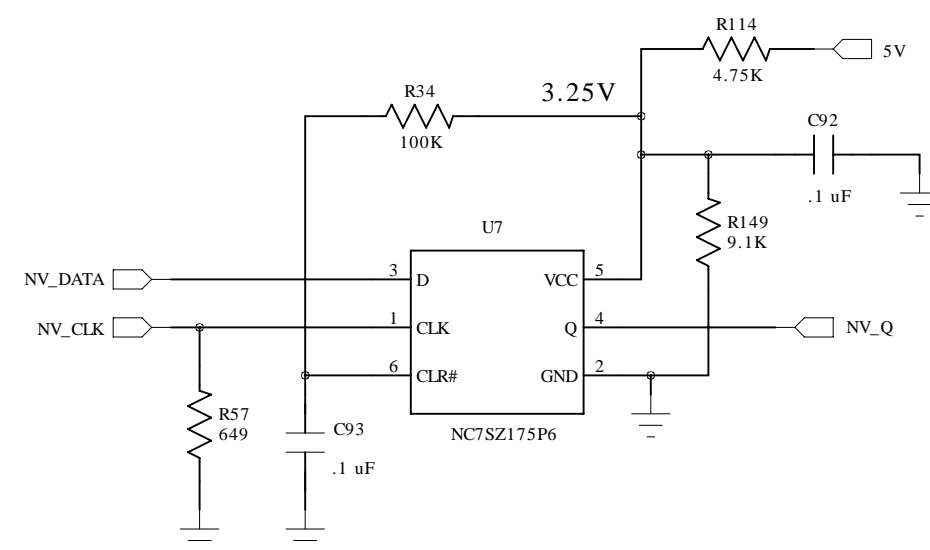
10-pin 2mm socket
S5751-10-ND
56 cents / 100

CTS# is an output
that can be used for
hardware flow control

Reset# must be driven
with Open drain

Baud rates up to
230.4K supported

Reboot Flag



Relays 1 - 4

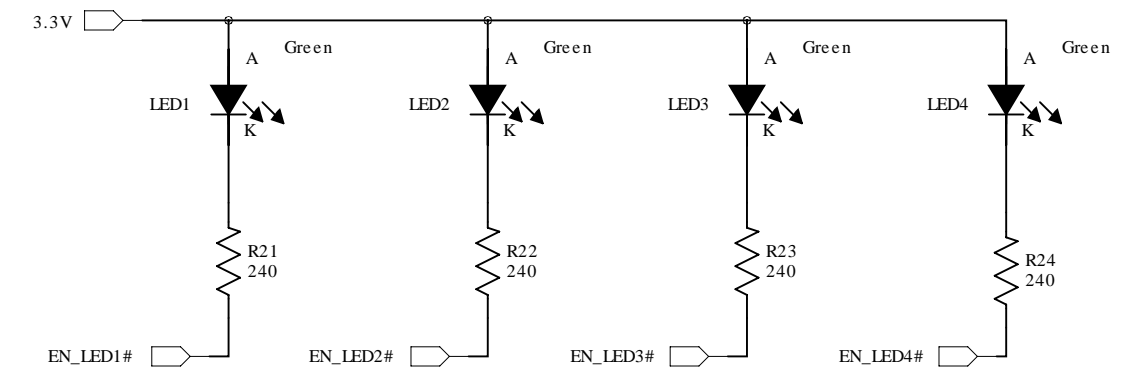
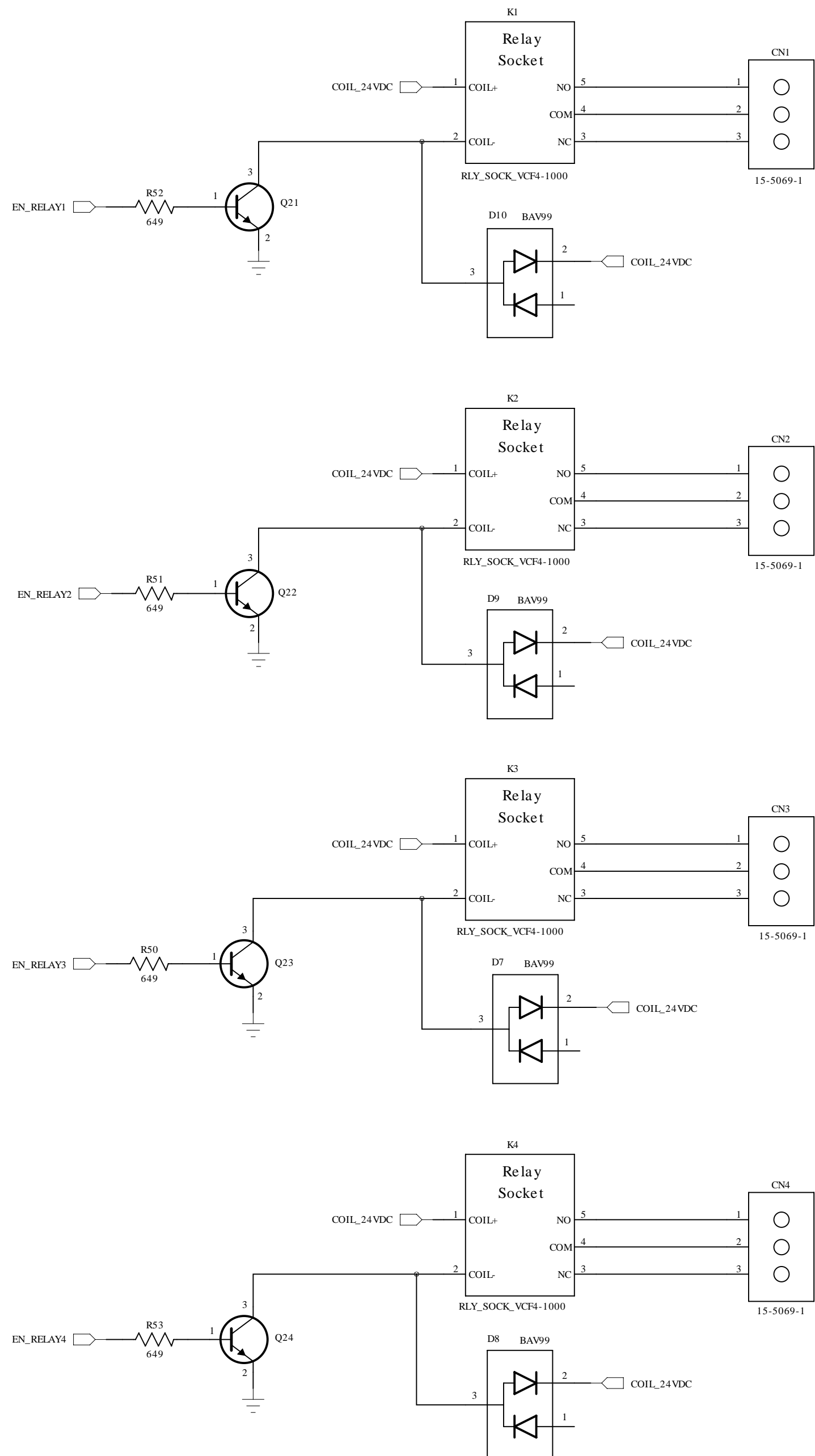
65 mA per Relay
when Coil ON

Relay = PB684-ND
TSPN = 40-9078-7

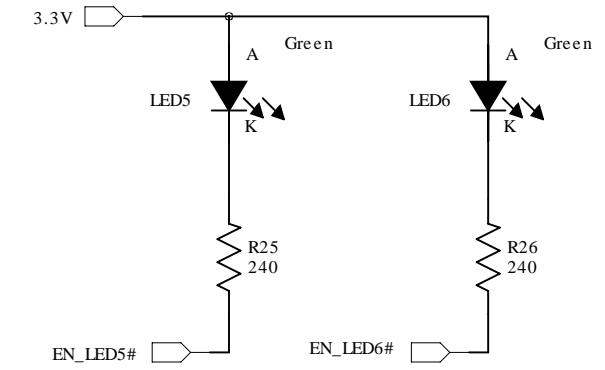
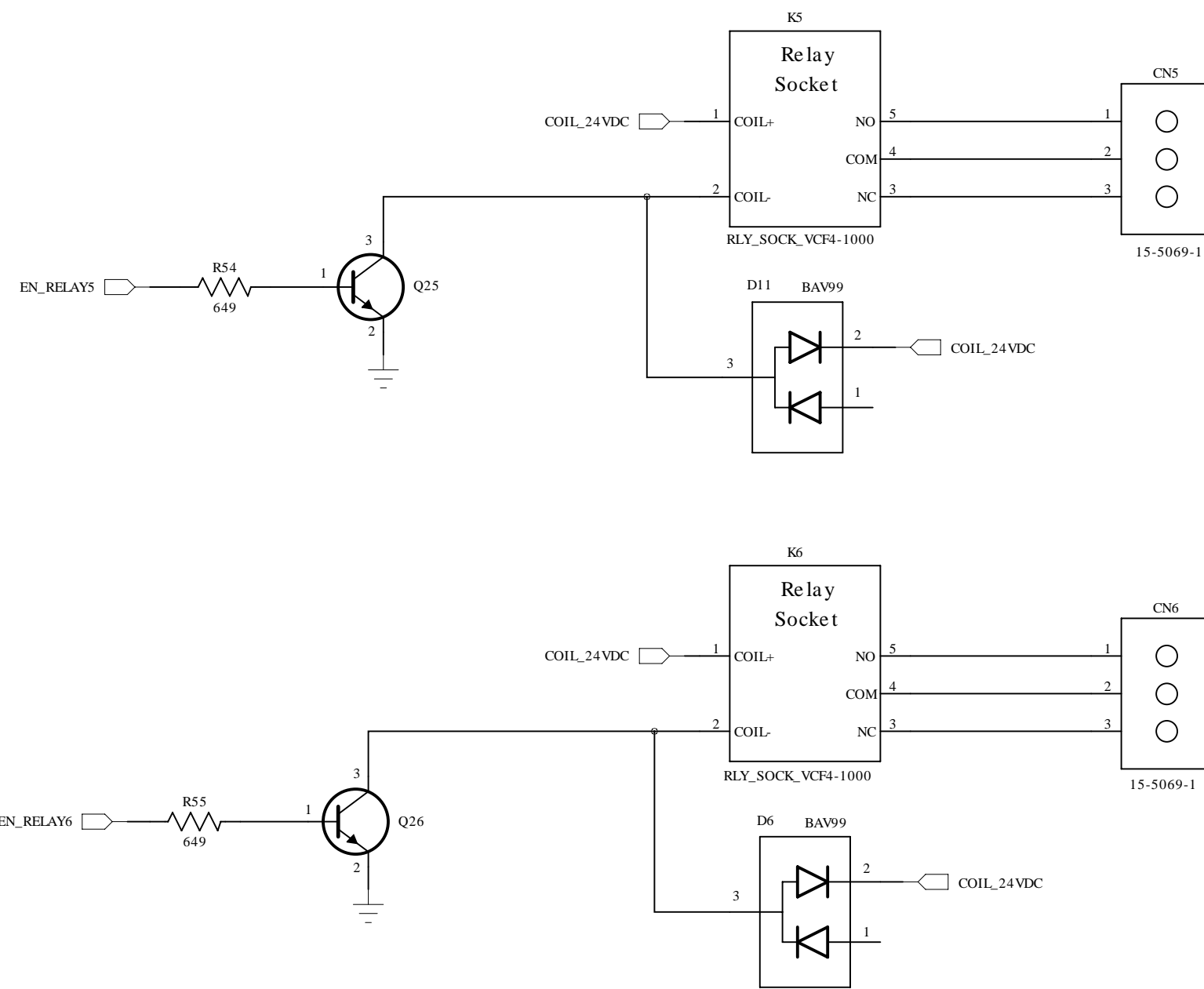
20 Amp Rating

OSTOQ035550
3-pos. with Flange
25.4 mm x 8.5 mm
Vertical

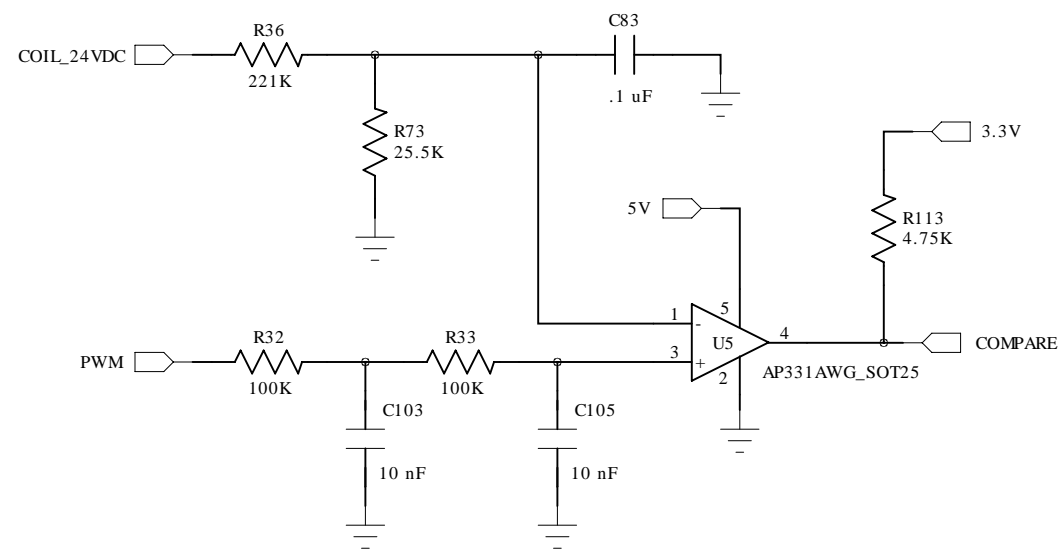
OSTVM035552 = mate .72



Relays 5 - 6



A/D Converter



Push Switch

