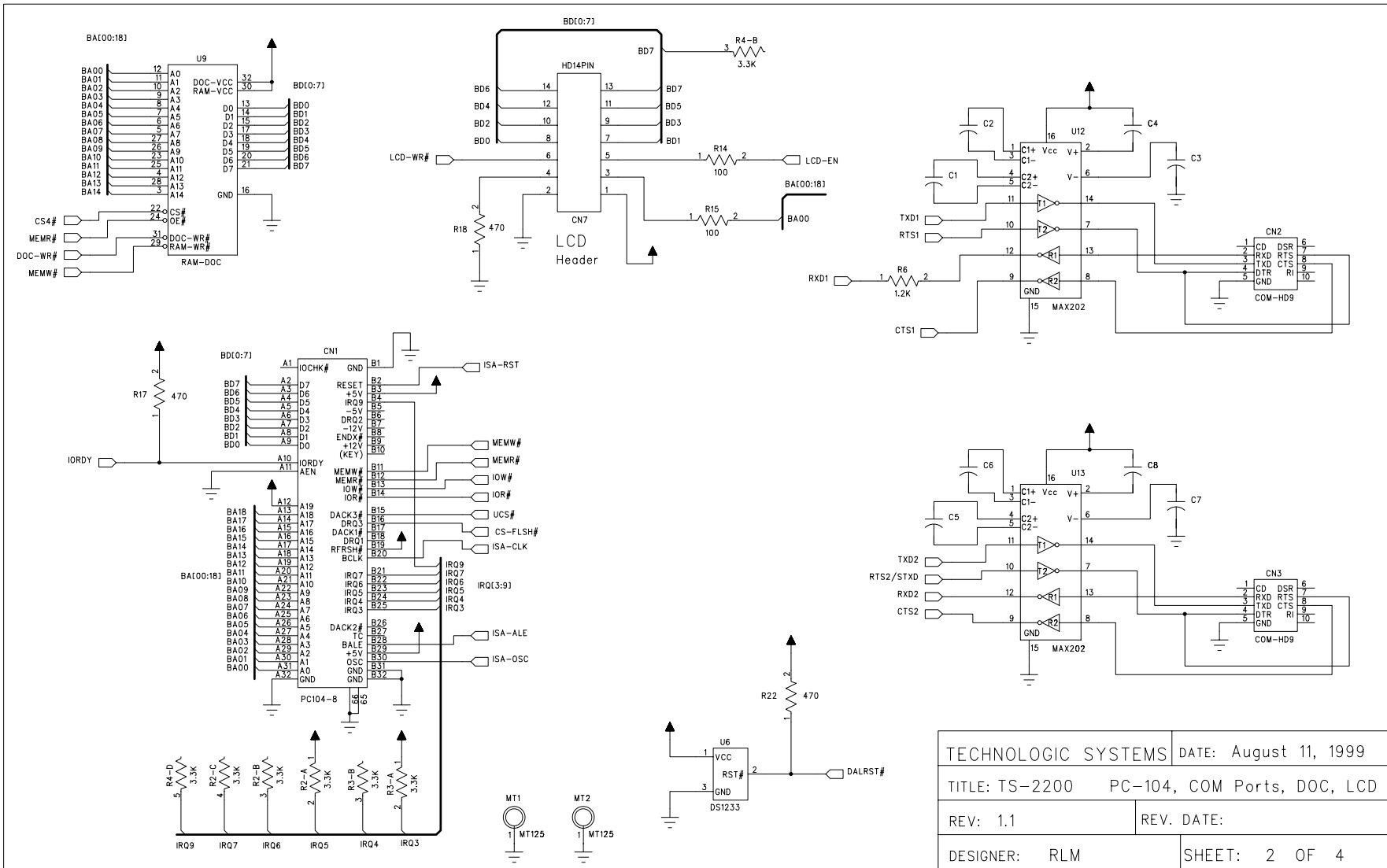
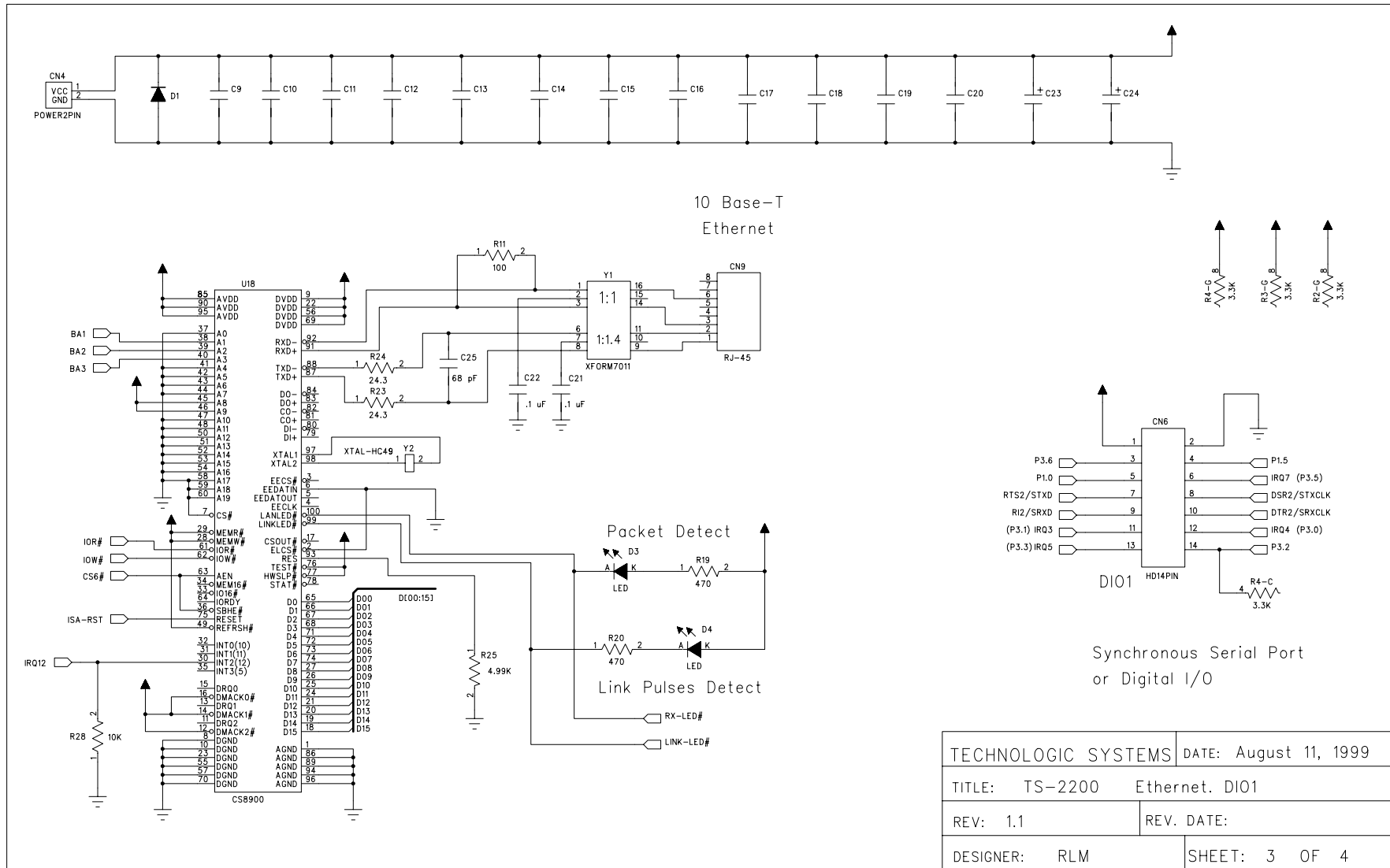


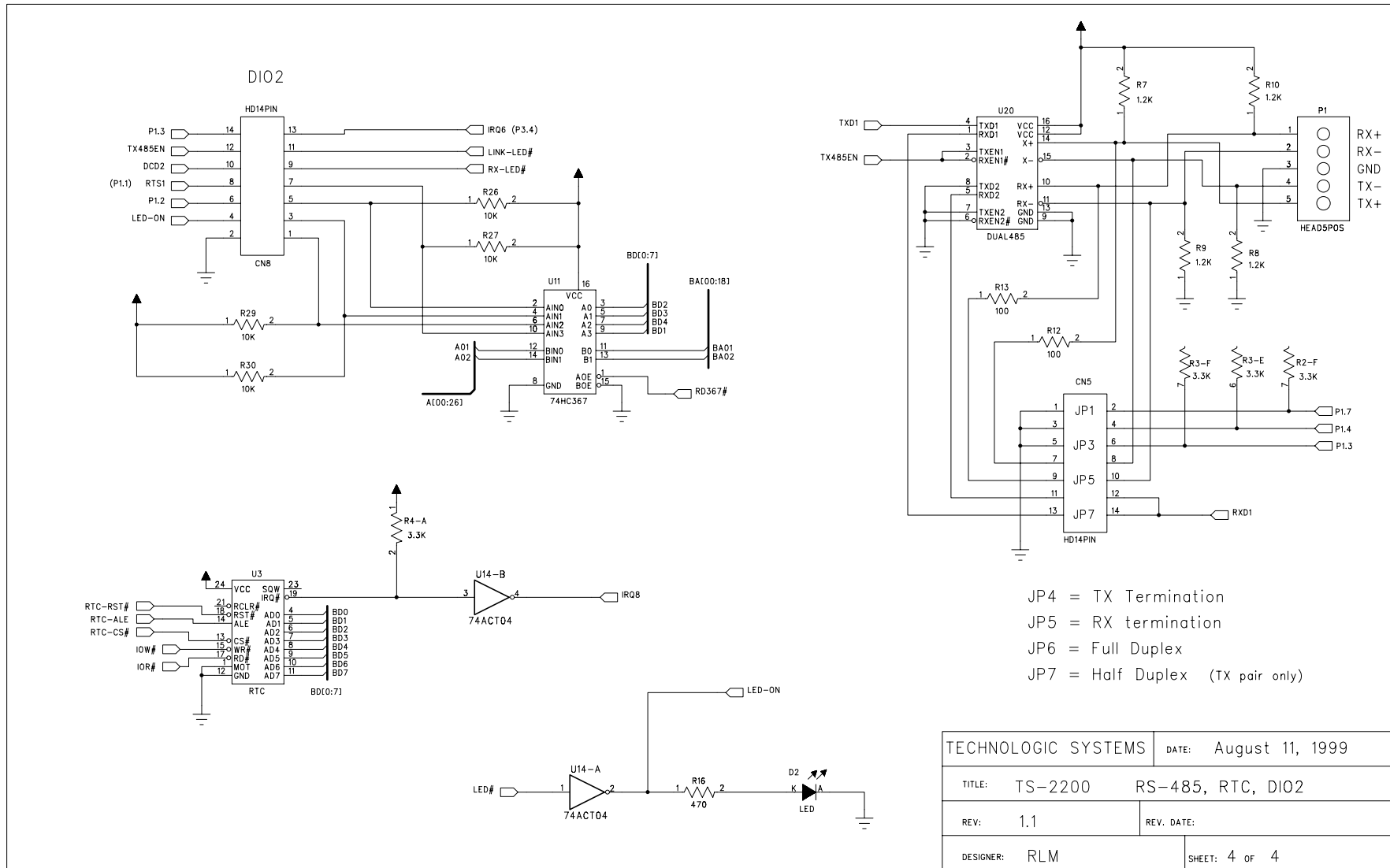
TECHNOLOGIC SYSTEMS		DATE: August 11, 1999	
TITLE: TS-2200		386EX, RAM, PLD, Flash	
REV: 1.1	REV. DATE:		
DESIGNER: RLM	SHEET: 1 OF 4		



TECHNOLOGIC SYSTEMS	DATE: August 11, 1999
TITLE: TS-2200	PC-104, COM Ports, DOC, LCD
REV: 1.1	REV. DATE:
DESIGNER: RLM	SHEET: 2 OF 4



TECHNOLOGIC SYSTEMS	DATE: August 11, 1999
TITLE: TS-2200 Ethernet. DI01	
REV: 1.1	REV. DATE:
DESIGNER: RLM	SHEET: 3 OF 4



JP4 = TX Termination
 JP5 = RX termination
 JP6 = Full Duplex
 JP7 = Half Duplex (TX pair only)

TECHNOLOGIC SYSTEMS		DATE: August 11, 1999	
TITLE: TS-2200		RS-485, RTC, DIO2	
REV: 1,1	REV. DATE:		
DESIGNER: RLM	SHEET: 4 of 4		