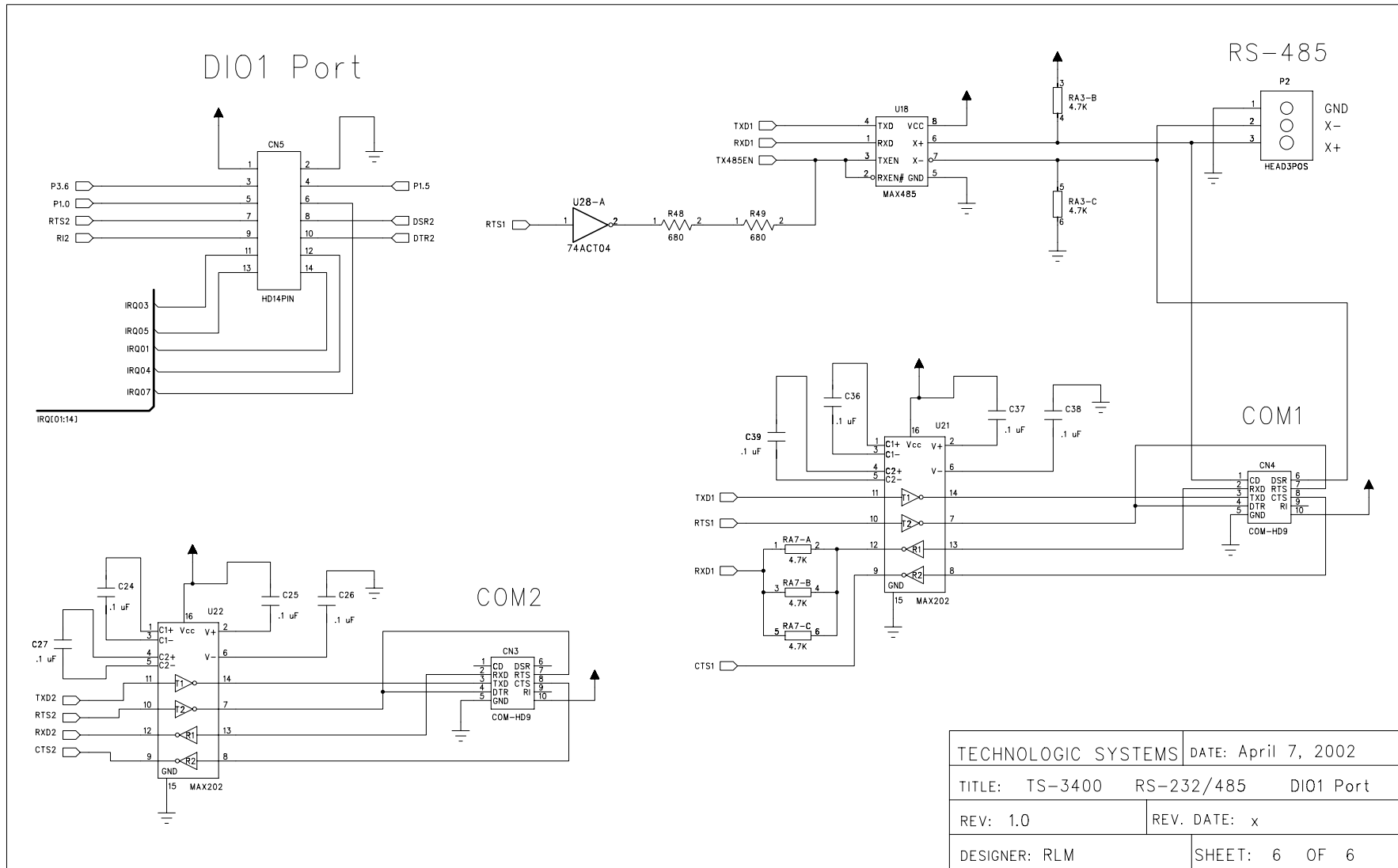
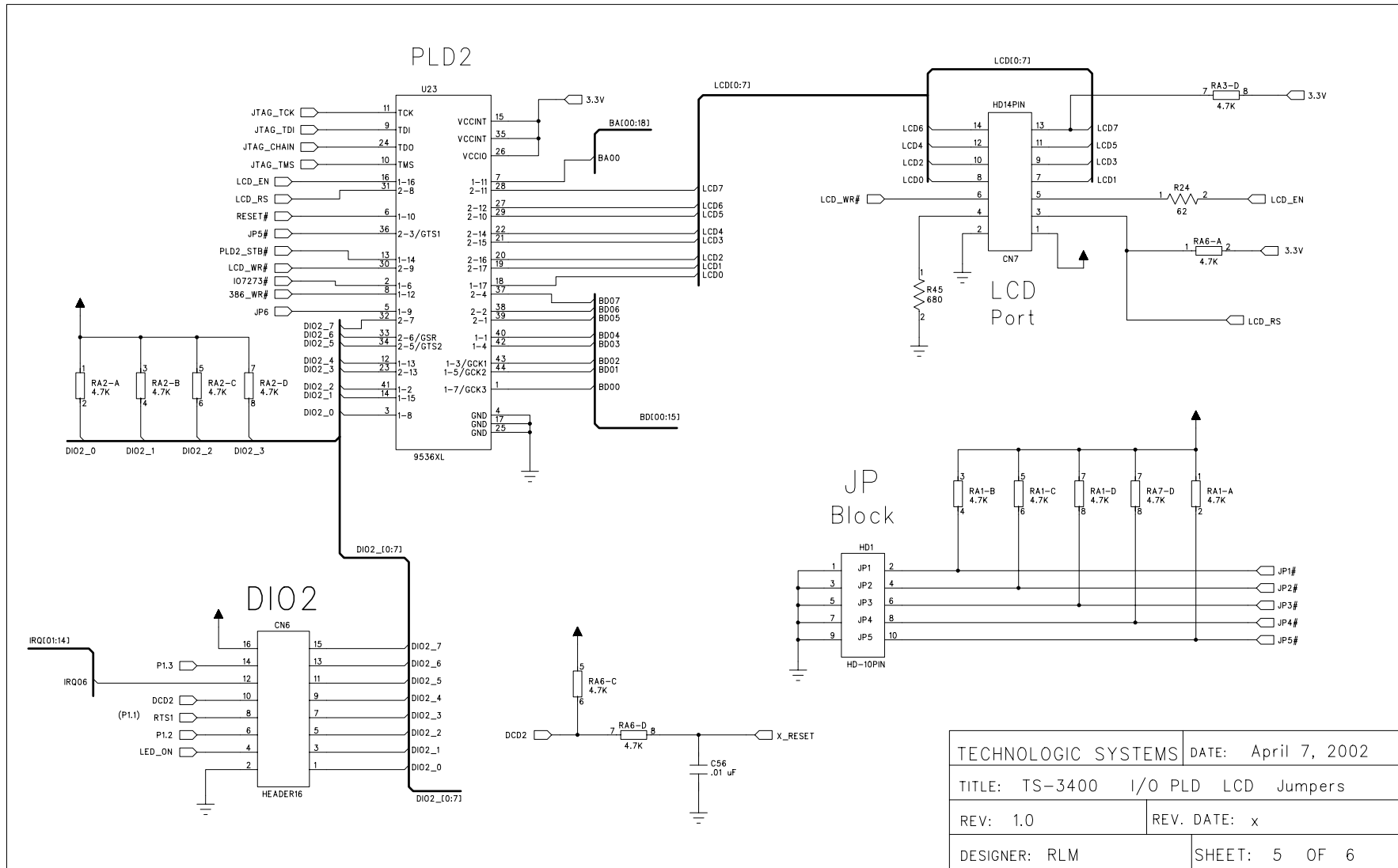


TECHNOLOGIC SYSTEMS	DATE: April 7, 2002
TITLE: TS-3400 SDRAM_PLD	
REV: 1.0	REV. DATE:
DESIGNER: RLM	SHEET: 4 OF 6



TECHNOLOGIC SYSTEMS	DATE: April 7, 2002
TITLE: TS-3400 RS-232/485 DIO1 Port	
REV: 1.0	REV. DATE: x
DESIGNER: RLM	SHEET: 6 OF 6



TECHNOLOGIC SYSTEMS	DATE: April 7, 2002
TITLE: TS-3400 I/O PLD LCD Jumpers	
REV: 1.0	REV. DATE: x
DESIGNER: RLM	SHEET: 5 OF 6