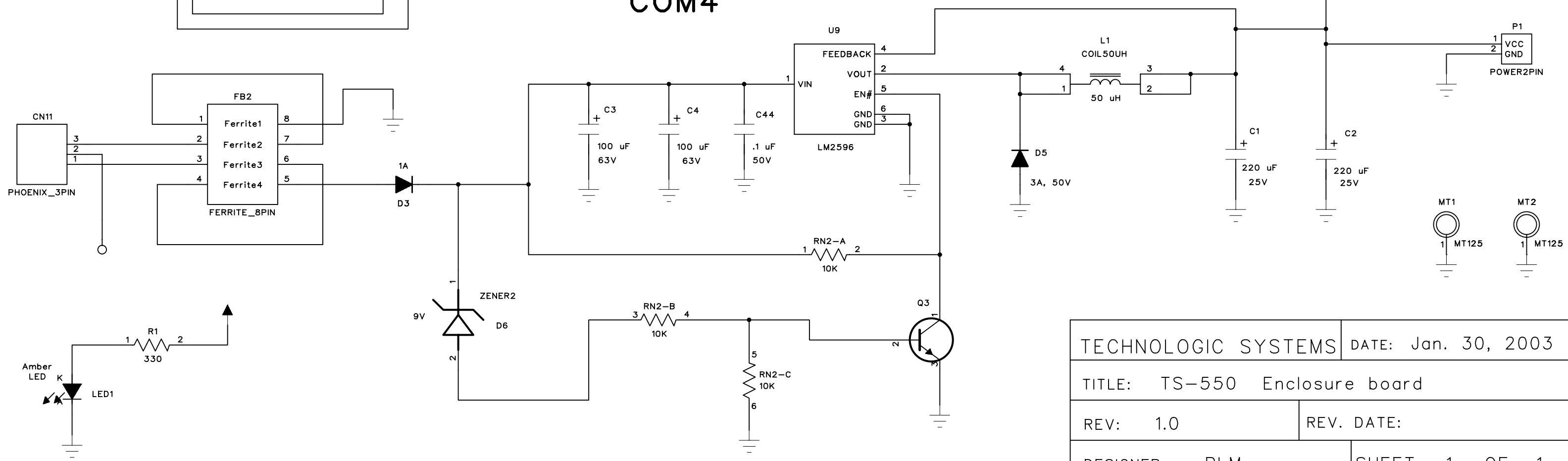


A/D

DIO

COM4



TECHNOLOGIC SYSTEMS	DATE: Jan. 30, 2003
TITLE: TS-550 Enclosure board	
REV: 1.0	REV. DATE:
DESIGNER: RLM	SHEET: 1 OF 1