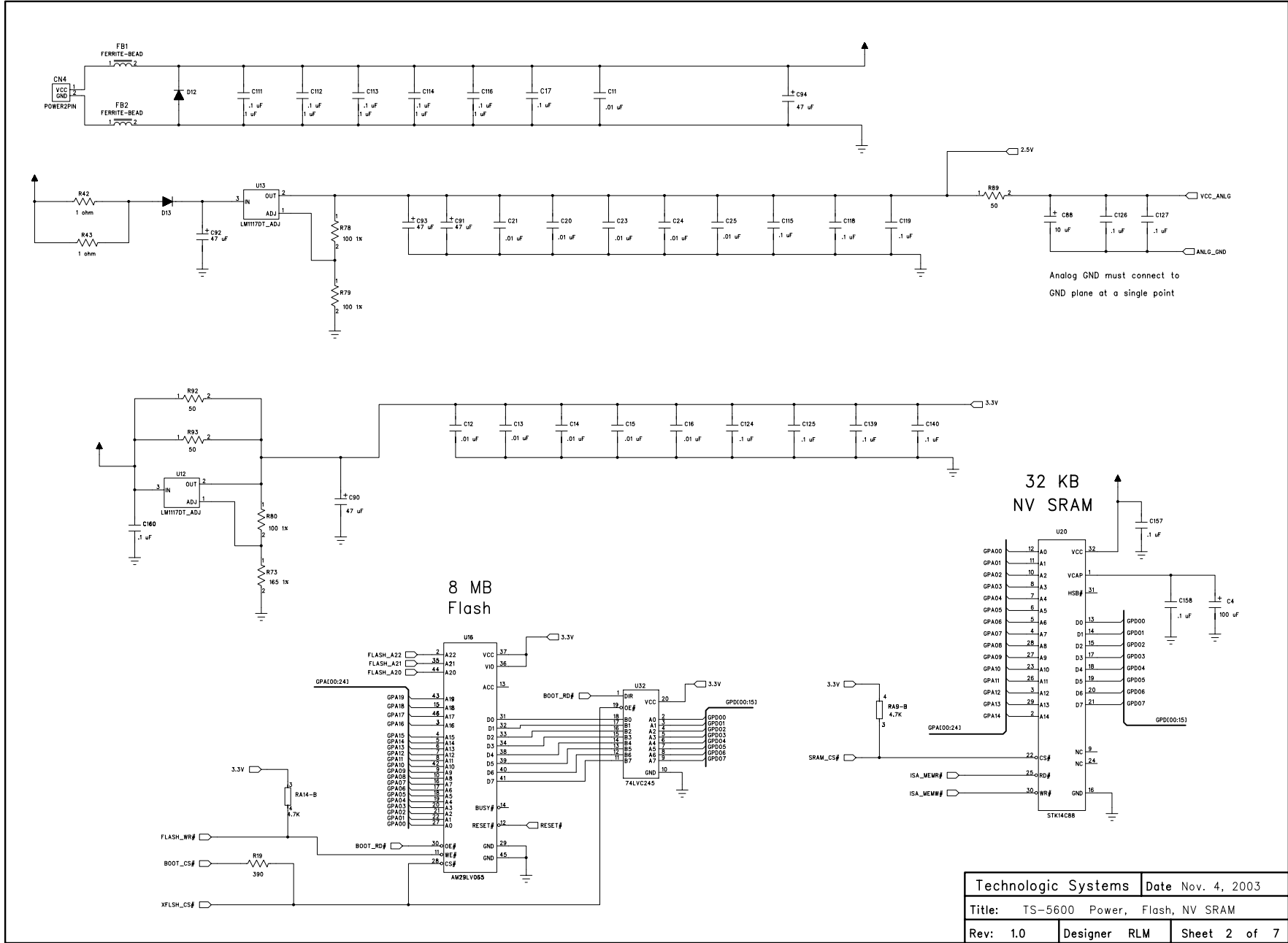
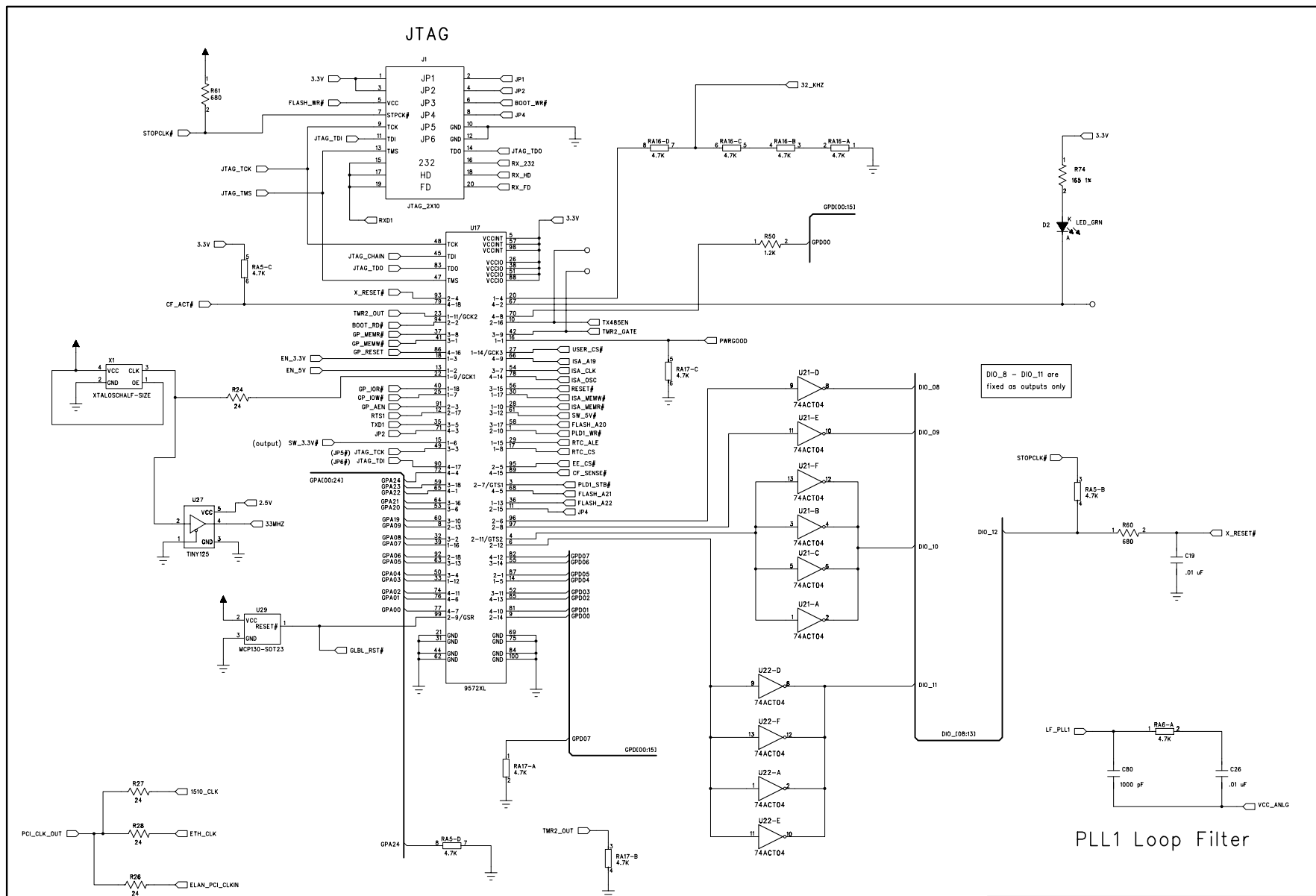


AMD Elan 520

Technologic Systems	Date Nov. 4, 2003
Title: TS-5600 Elan 520	
Rev: 1.0	Designer RLM Sheet 1 of 7



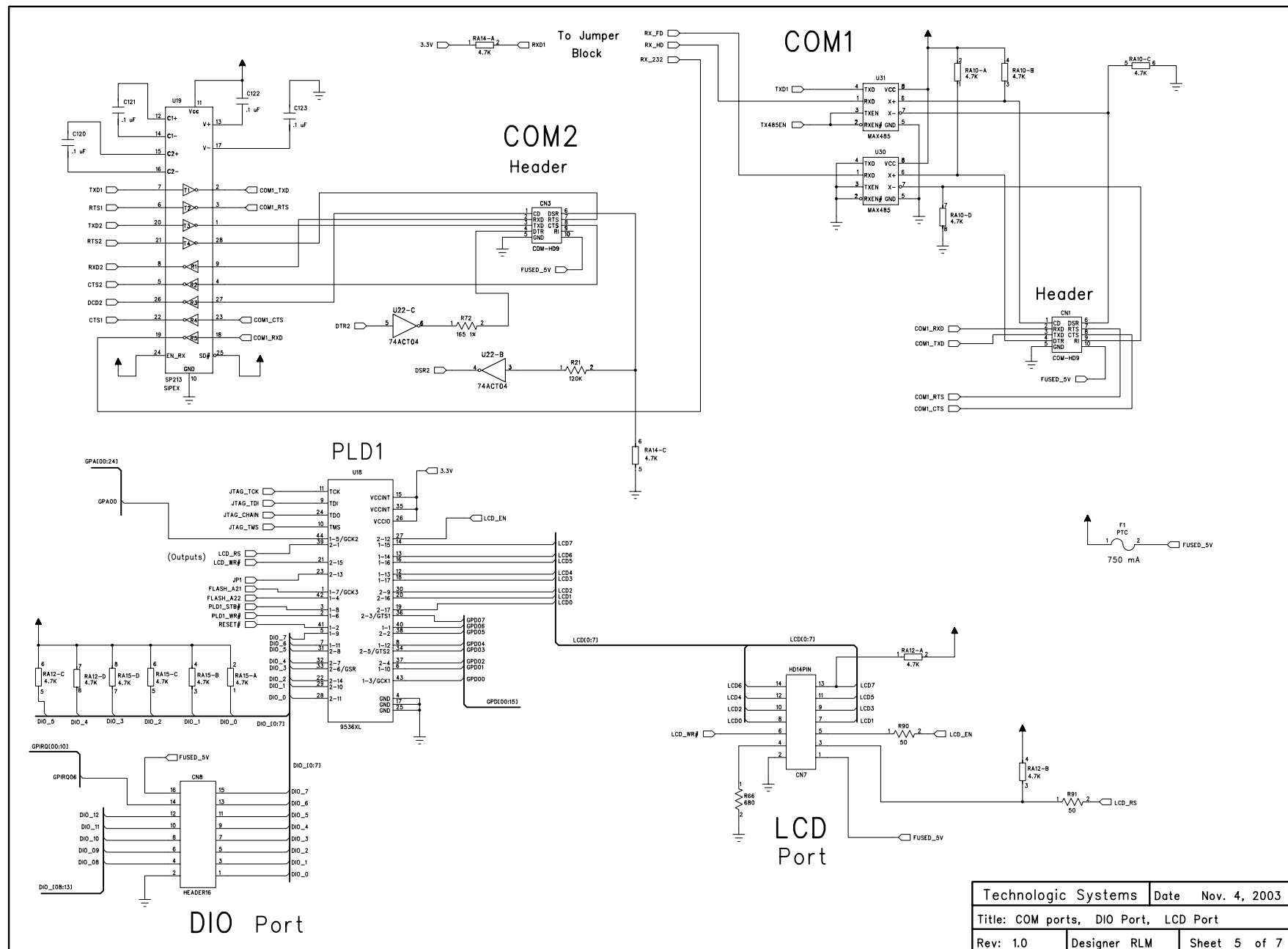


DIO_8 - DIO_11 are fixed as outputs only

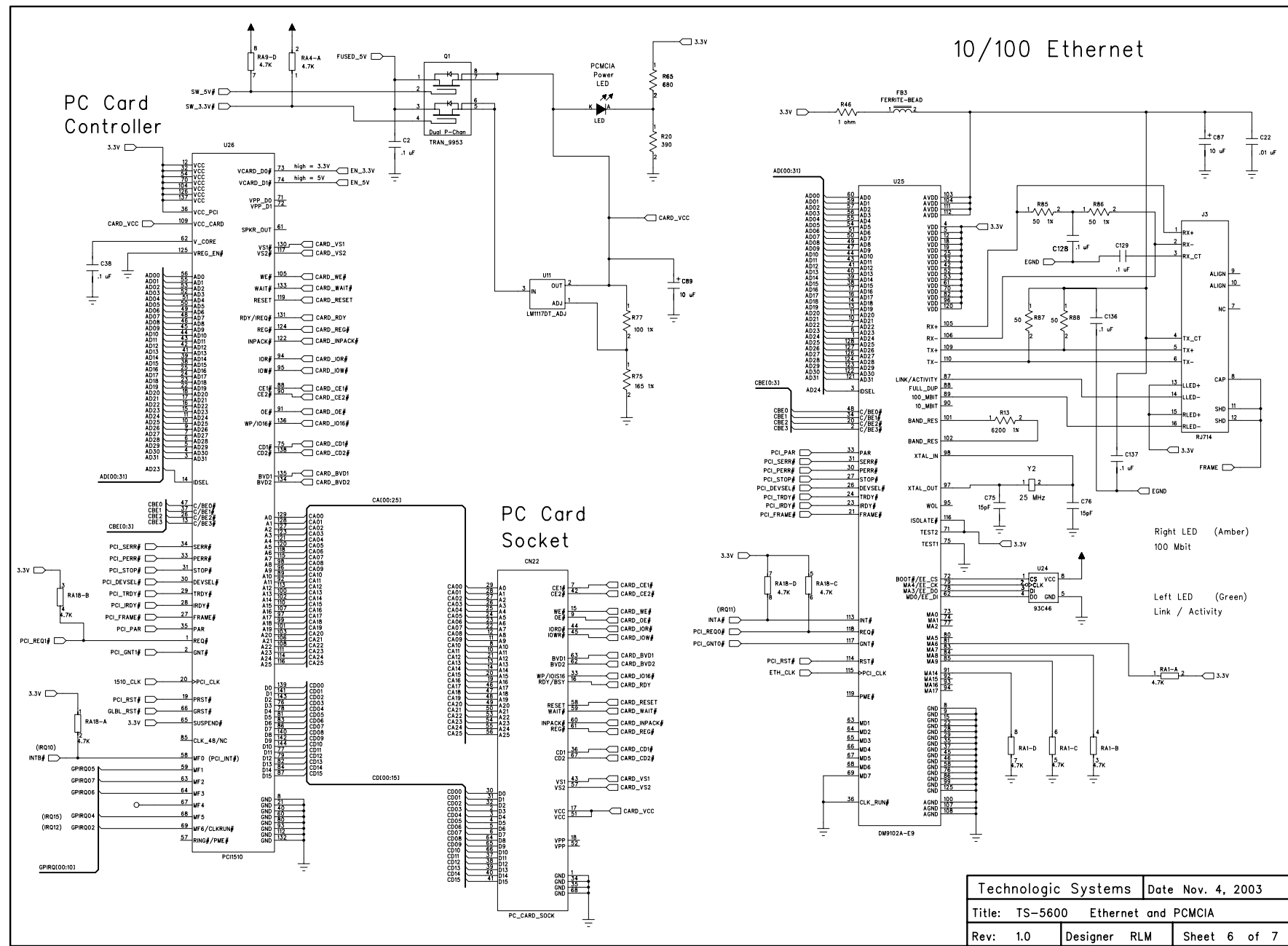
PCI Clock Buffer

PLL1 Loop Filter

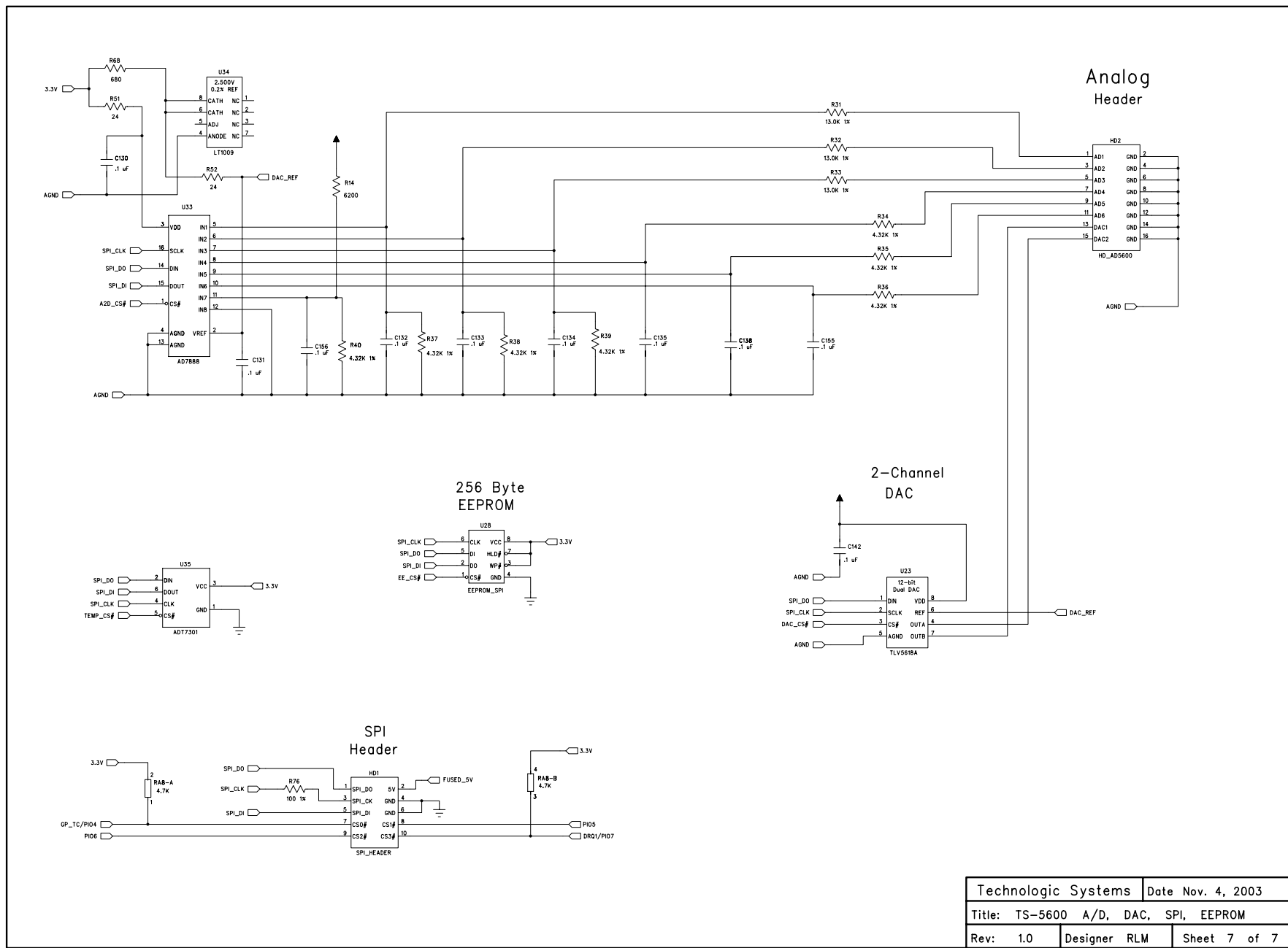
Technologic Systems	Date Nov. 4, 2003
Title: TS-5600 Main PLD	
Rev: 1.0	Designer RLM Sheet 4 of 7



Technologic Systems	Date Nov. 4, 2003
Title: COM ports, DIO Port, LCD Port	
Rev: 1.0	Designer RLM Sheet 5 of 7



Technologic Systems		Date Nov. 4, 2003	
Title: TS-5600 Ethernet and PCMCIA			
Rev: 1.0	Designer RLM	Sheet 6 of 7	



Technologic Systems	Date Nov. 4, 2003
Title: TS-5600 A/D, DAC, SPI, EEPROM	
Rev: 1.0	Designer RLM Sheet 7 of 7