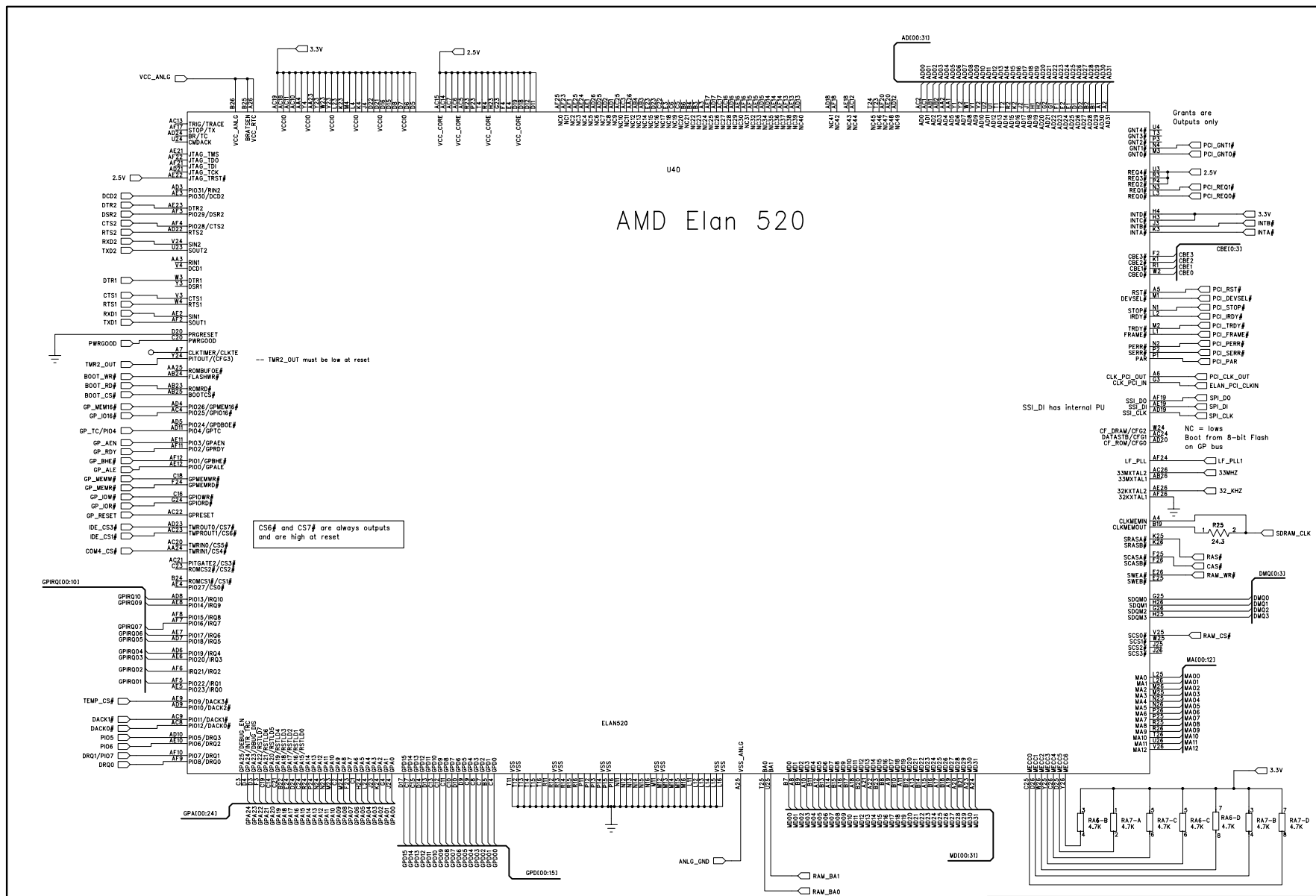
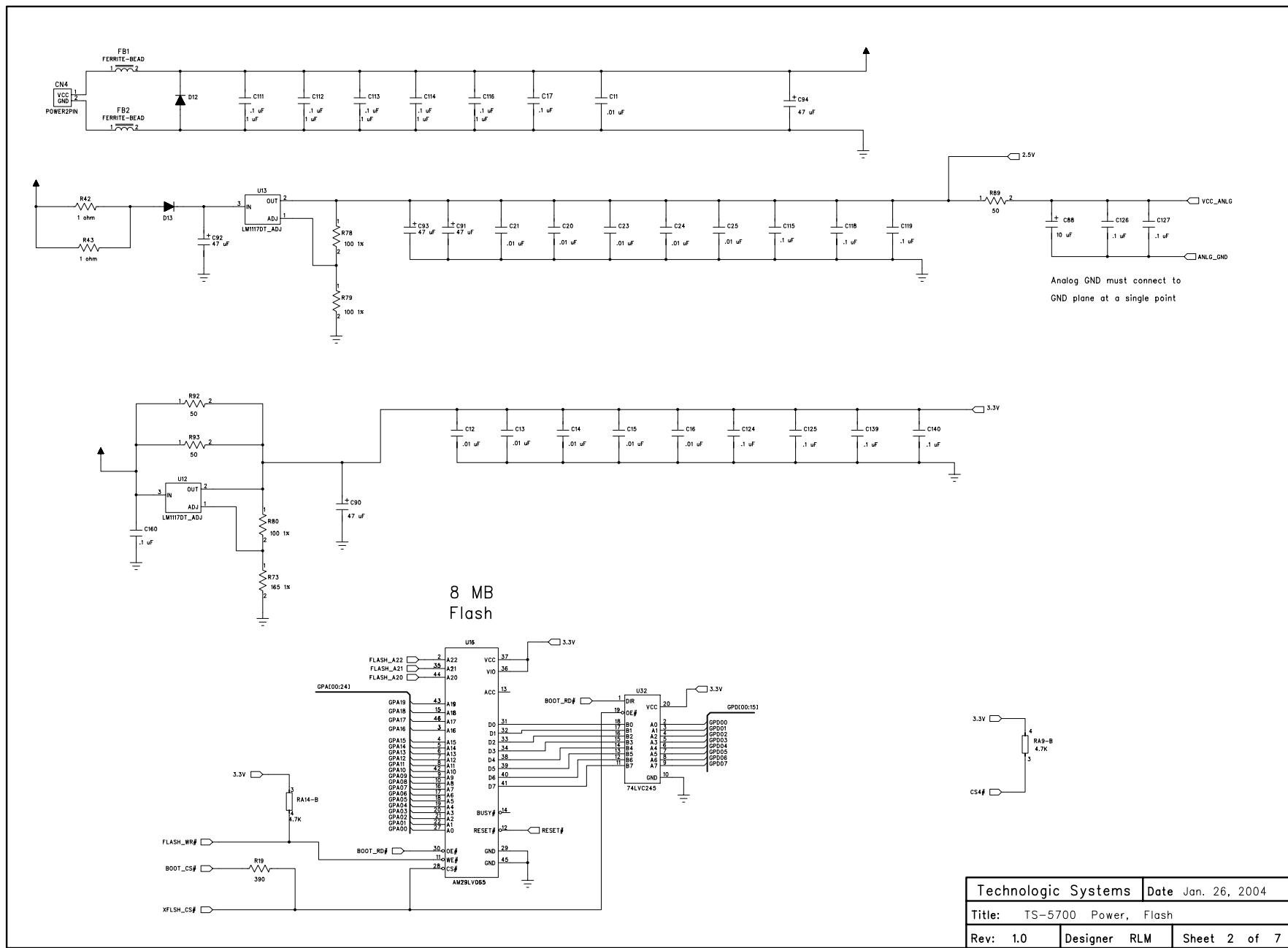


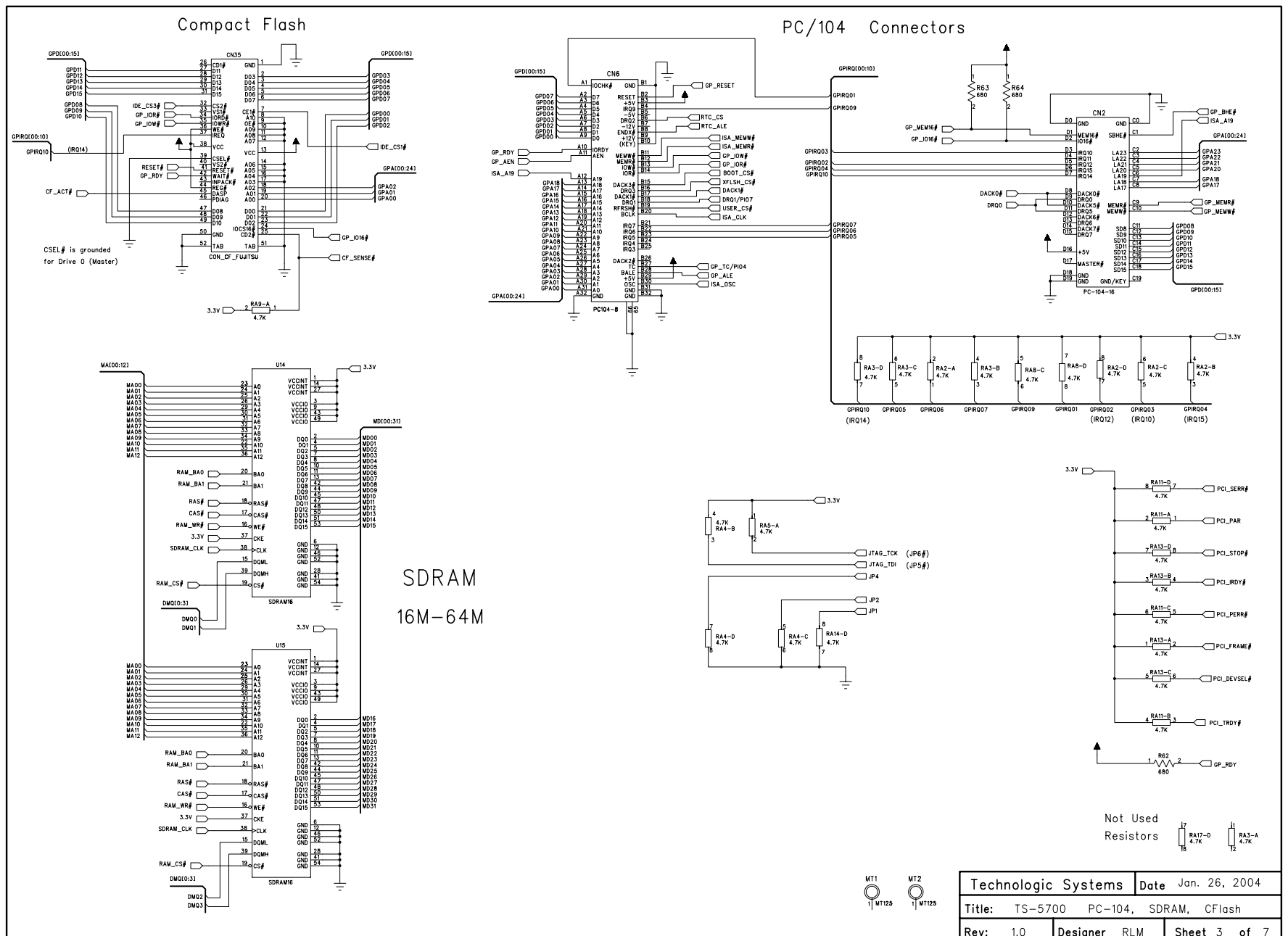
AMD Elan 520

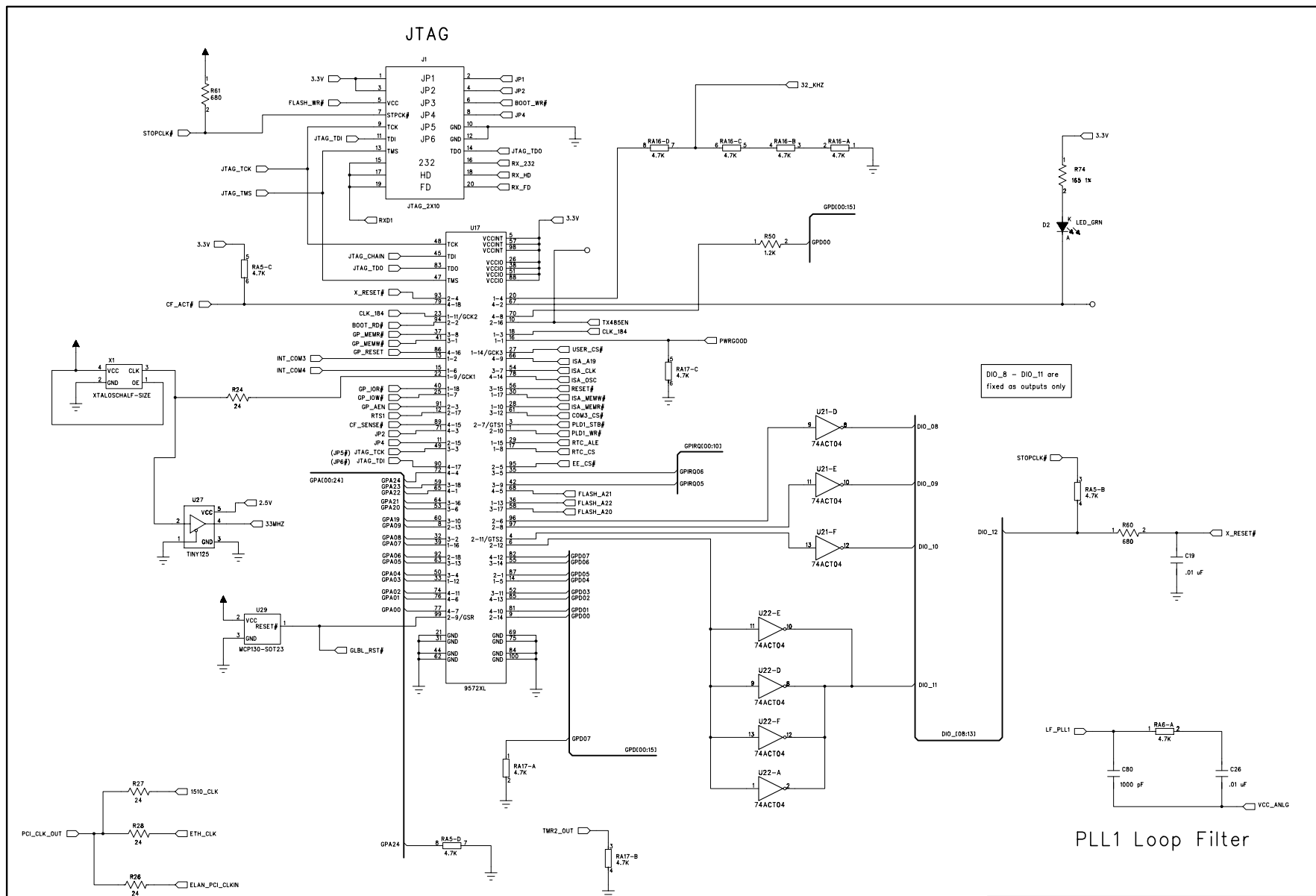


Technologic Systems		Date Jan. 26, 2004	
Title: TS-5700 Elan 520			
Rev: 1.0	Designer RLM	Sheet 1 of 7	



Technologic Systems	Date Jan. 26, 2004
Title: TS-5700 Power, Flash	
Rev: 1.0	Designer RLM Sheet 2 of 7

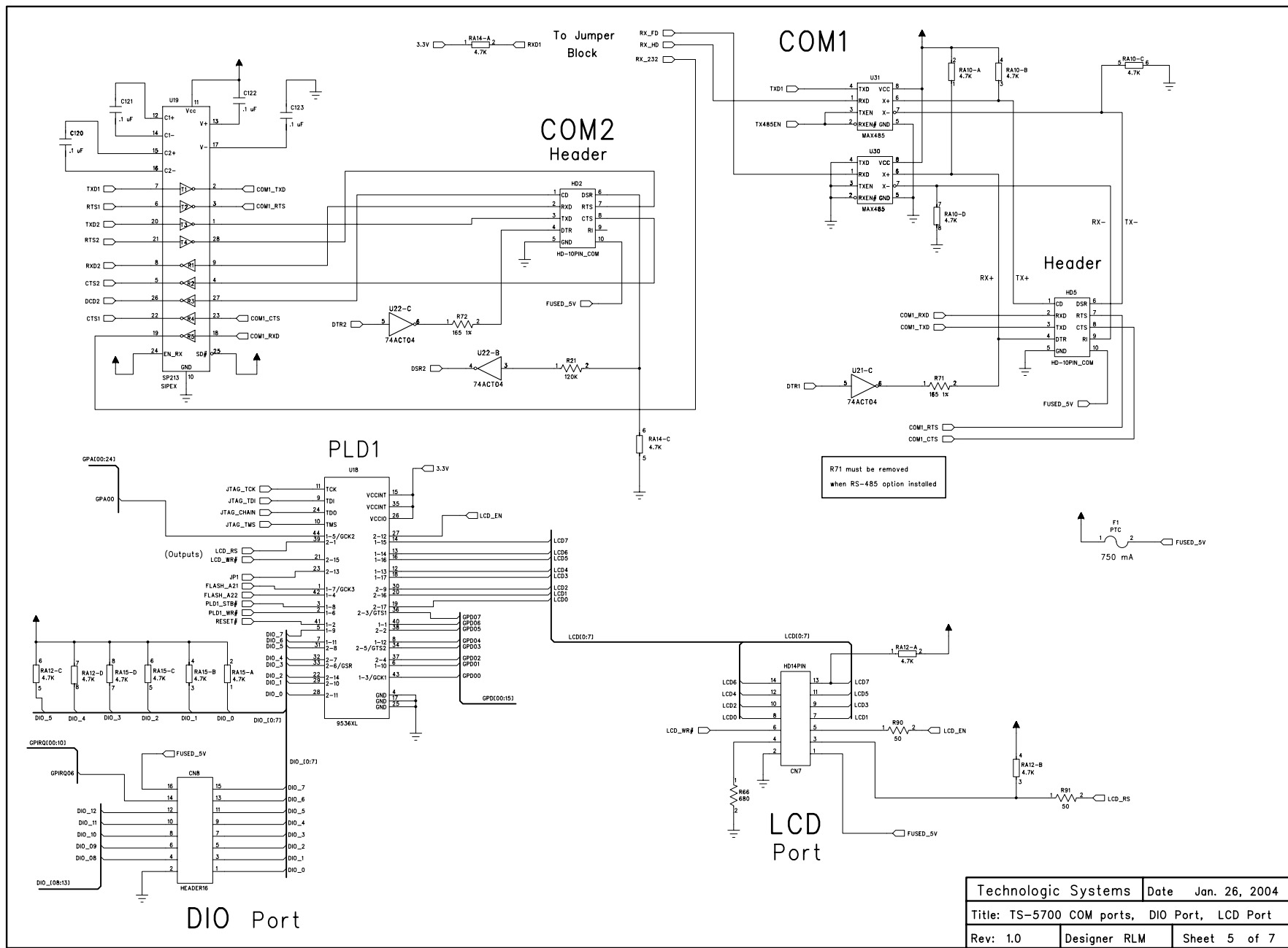




PCI Clock Buffer

PLL1 Loop Filter

Technologic Systems	Date Jan. 26, 2004
Title: TS-5600 Main PLD	
Rev: 1.0	Designer RLM Sheet 4 of 7



R71 must be removed when RS-485 option installed

Technologic Systems	Date Jan. 26, 2004
Title: TS-5700 COM ports, DIO Port, LCD Port	
Rev: 1.0	Designer RLM Sheet 5 of 7

