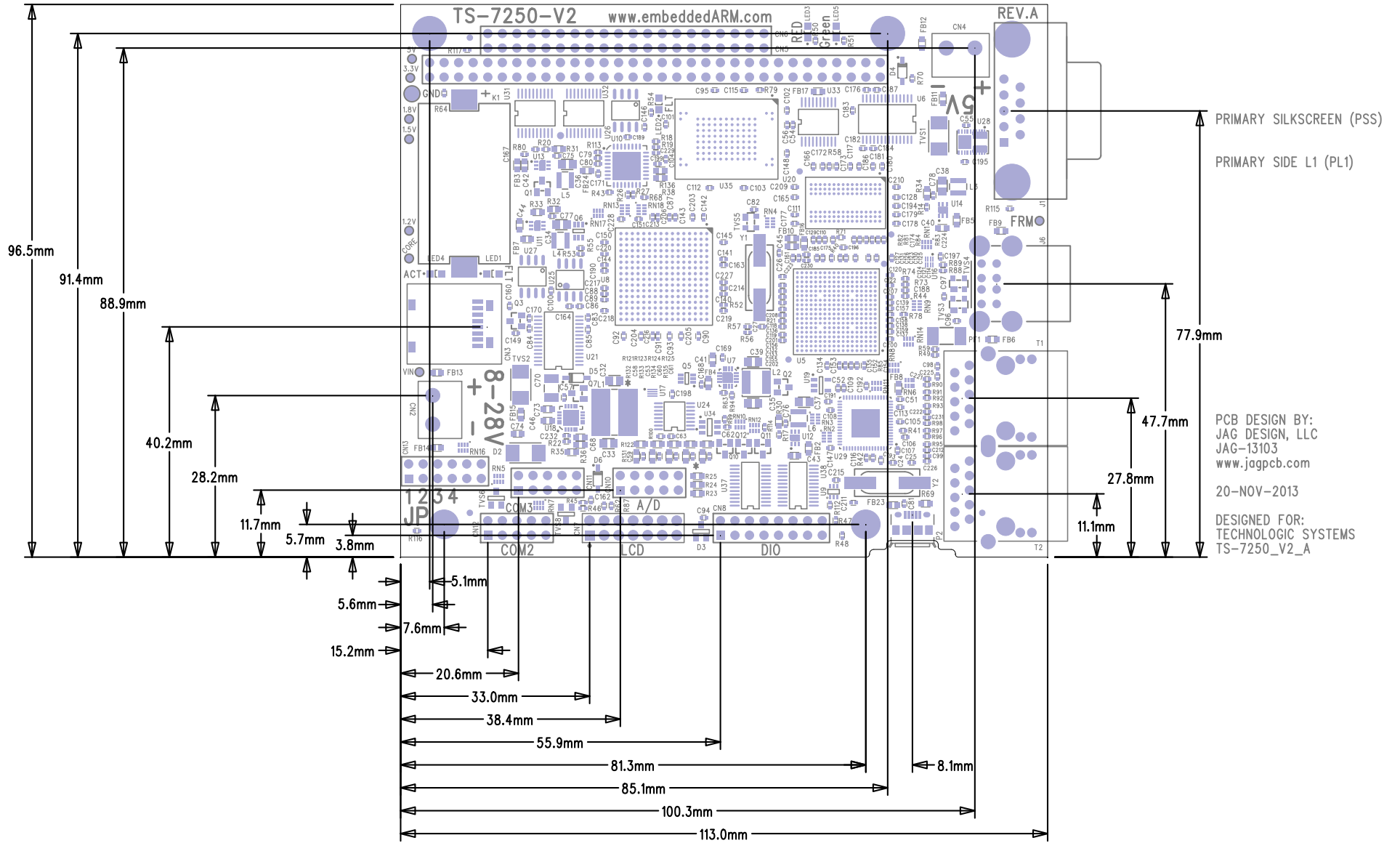
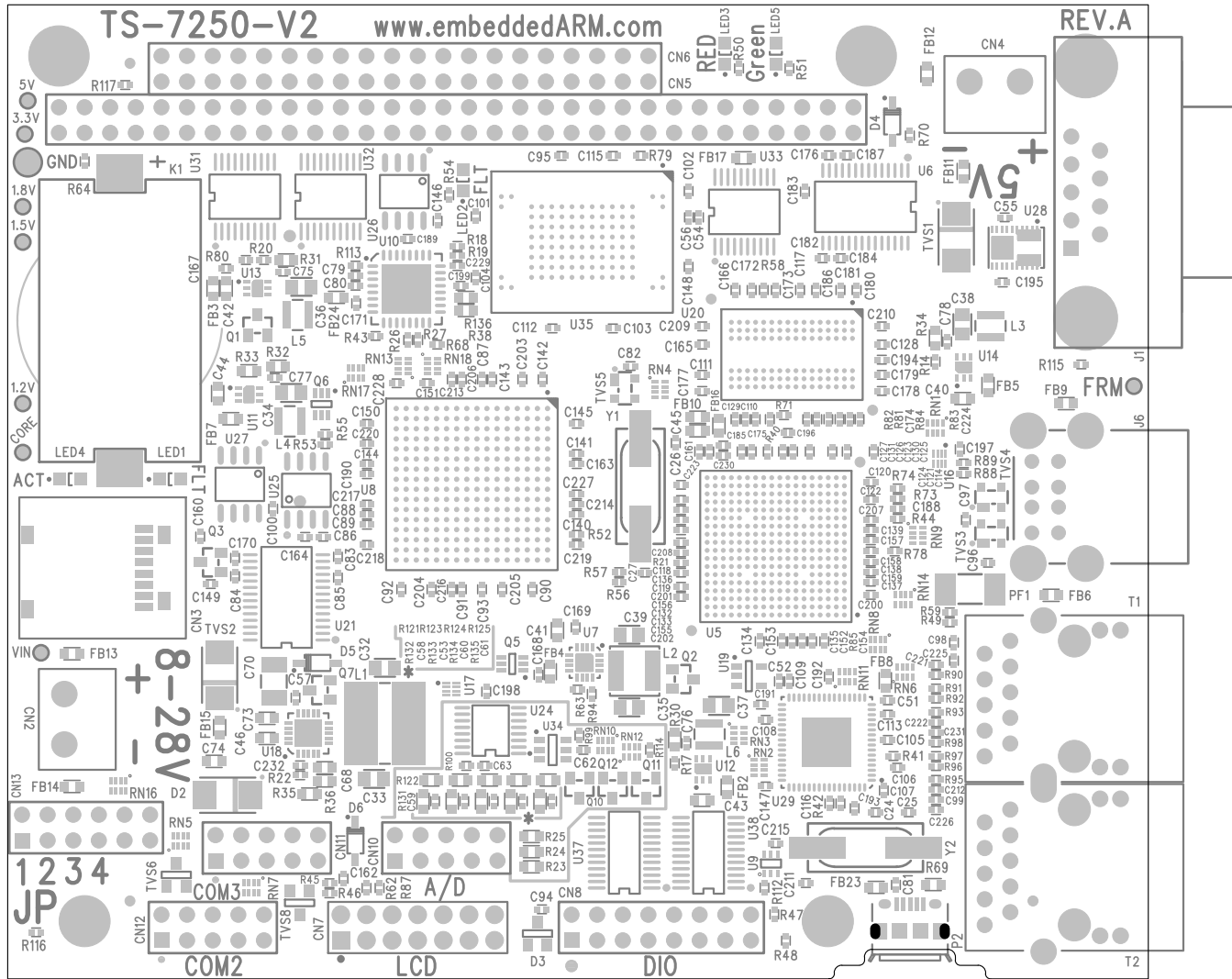


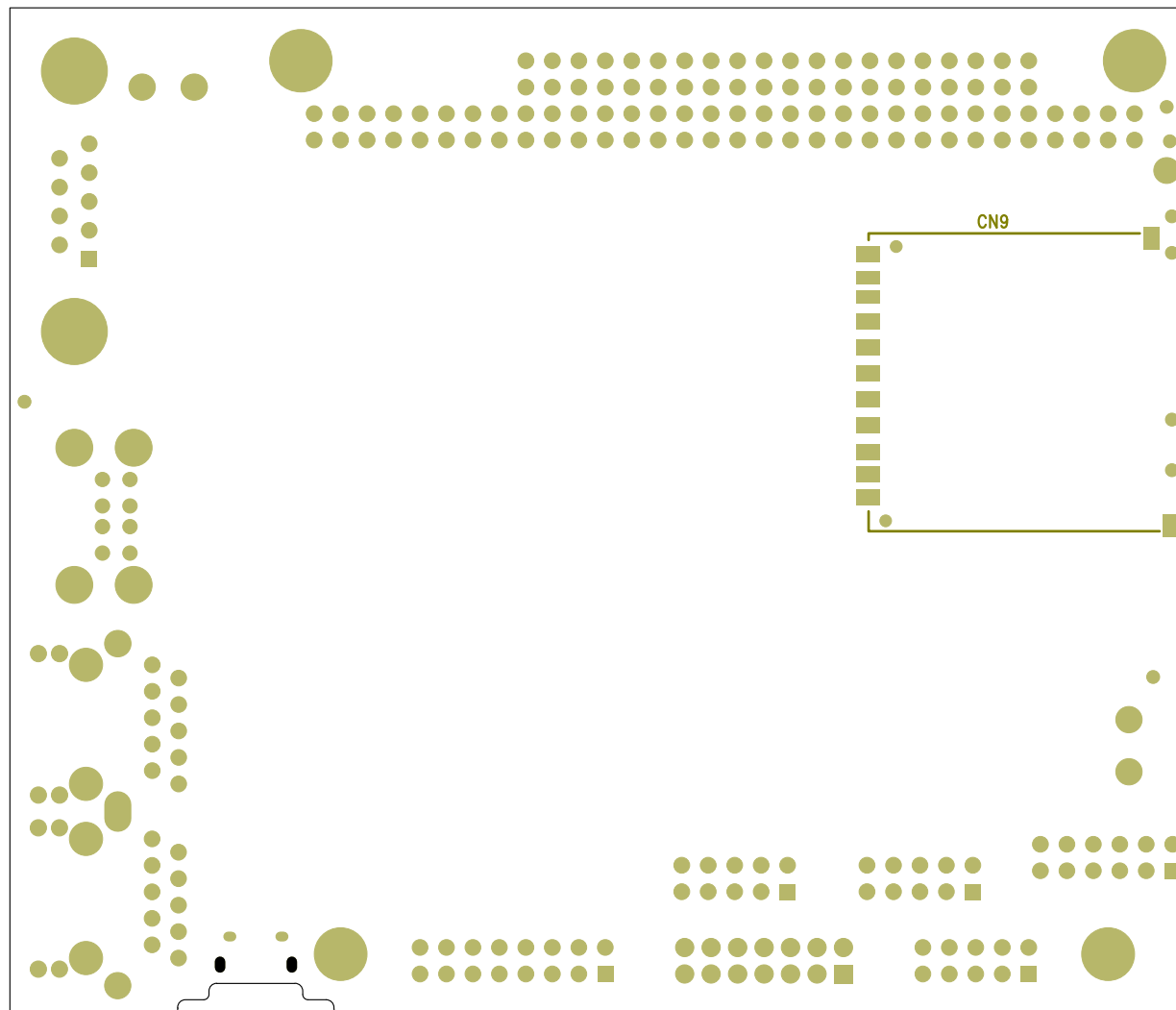
MECHANICAL DRAWING (MEC)

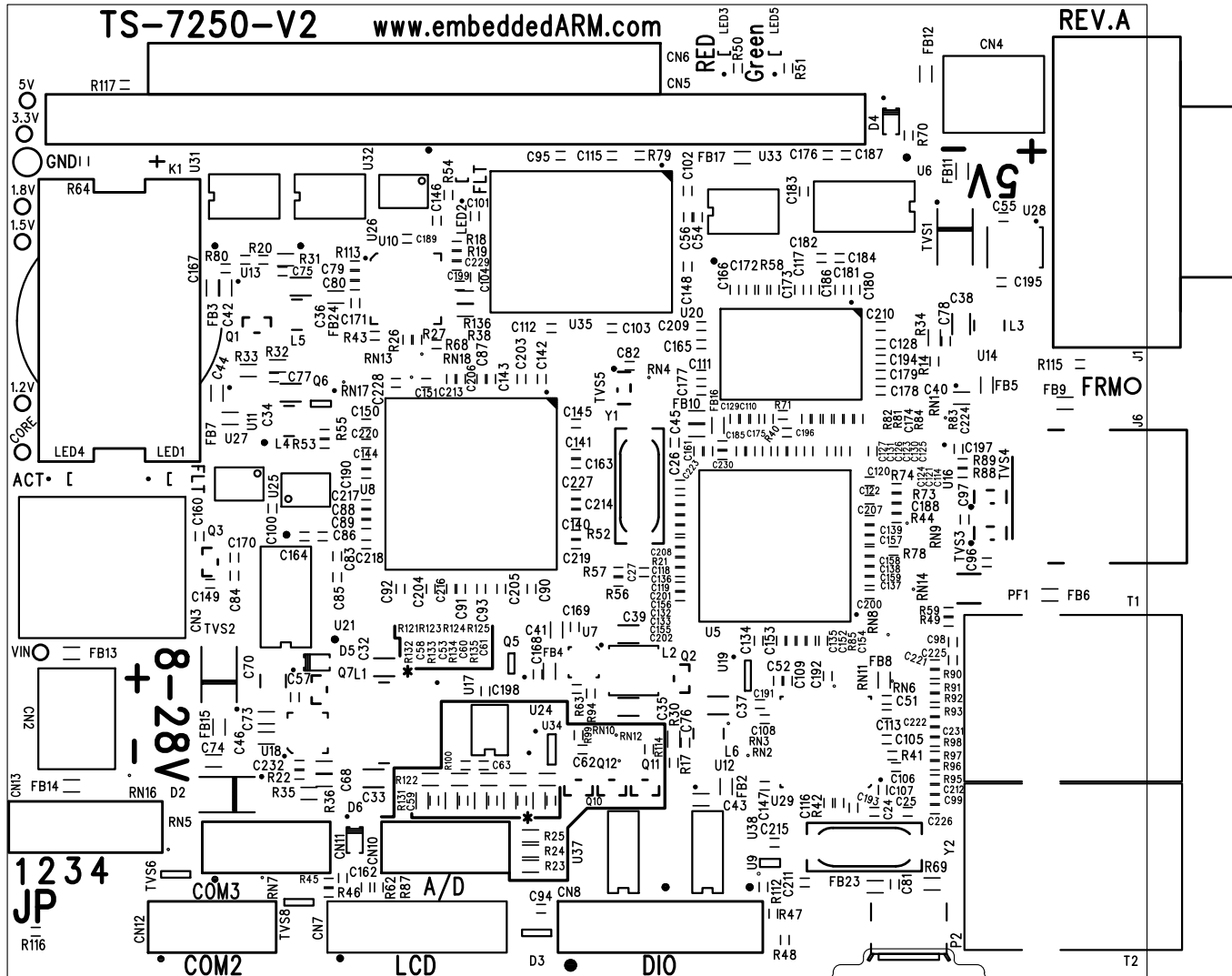


PRIMARY ASSEMBLY DRAWING (PAD)



SECONDARY ASSEMBLY DRAWING (SAD)





PRIMARY SILKSCREEN (PSS)