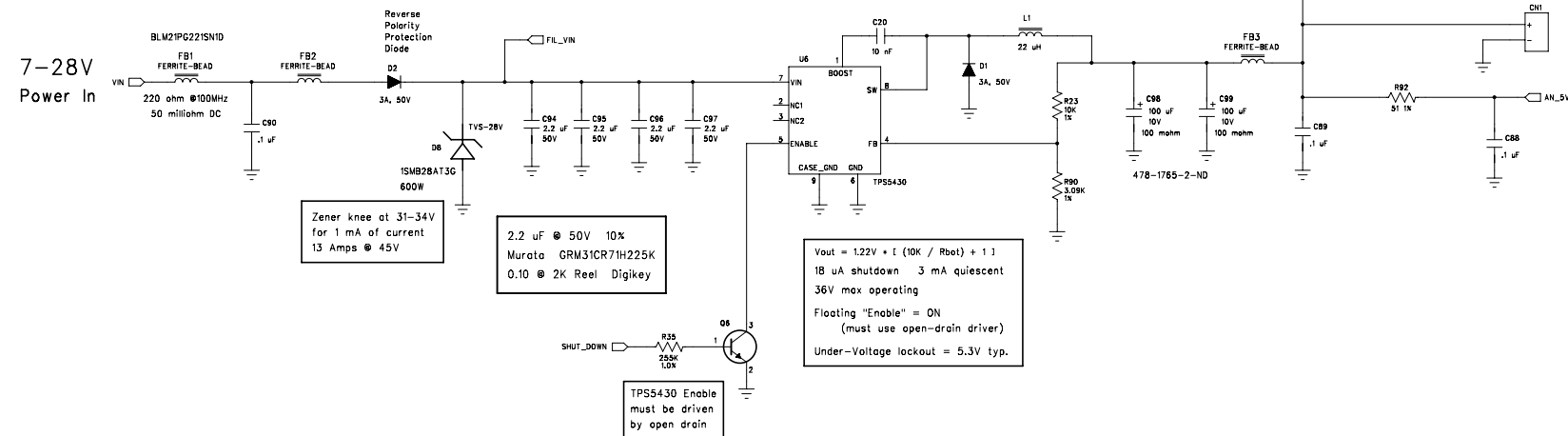
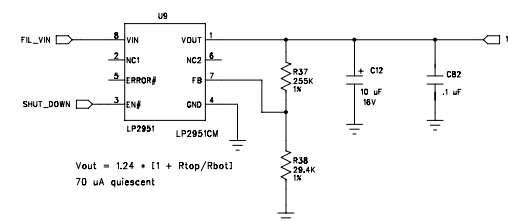


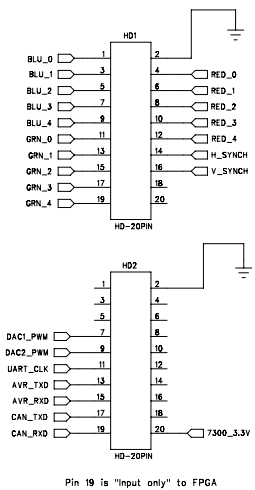
5V Power Supply (2 Amps)



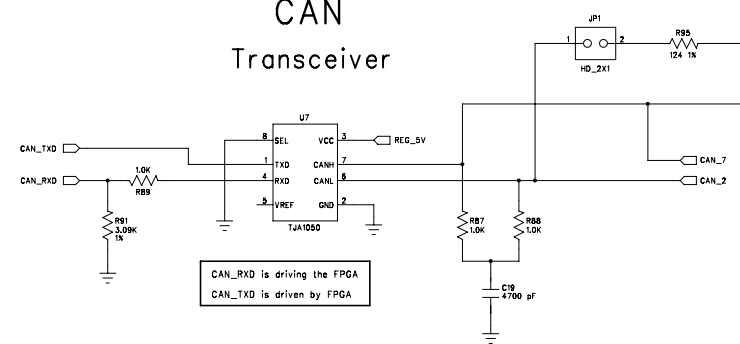
12V Regulator for TLC083



40-pin to TS-7300

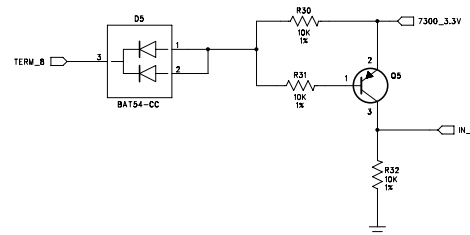
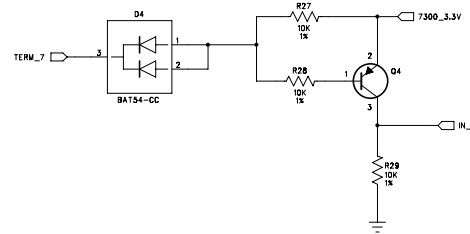
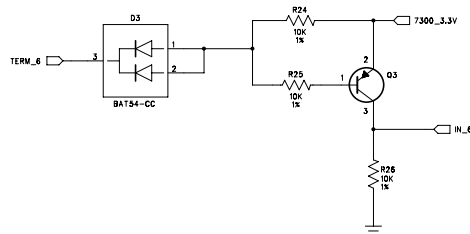


CAN Transceiver

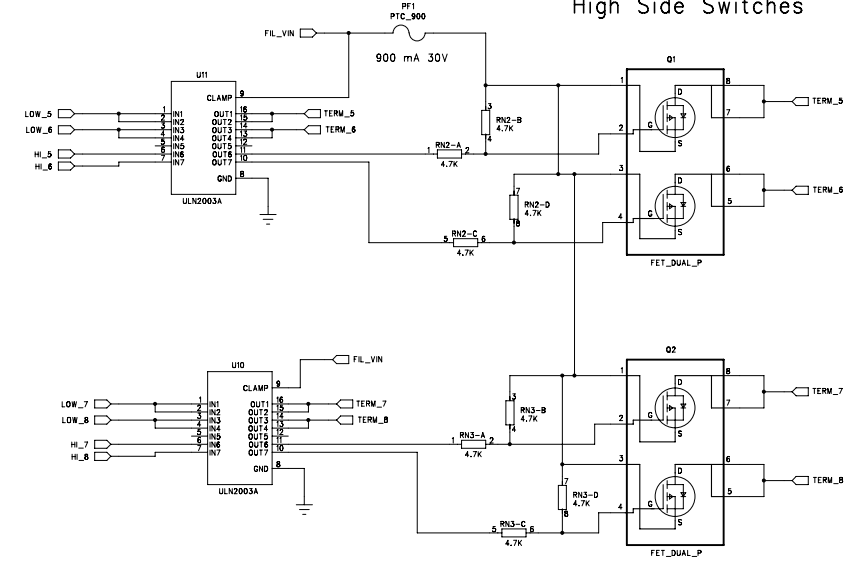


| | |
|-------------------------------|---------------------------|
| Technologic Systems | Date July 9, 2006 |
| Title: Power, CAN transceiver | |
| Rev: | Designer RLM Sheet 2 of 3 |

Digital Inputs



High Side Switches



IRF 7306 = 30V, 100 mohm
 IRF 7316 = 30V, 58 mohm
 IRF 7342 = 55V, 105 mohm

Thermistor -- Resettable

| | | |
|---------------------|--|-----------------------|
| LittleFuse | RLD30P090 = 900mA 30V 200 mil lead space | |
| | RLD30P110 = 1100mA 30V | |
| | RLD60P090 = 900mA 60V | Add "F" for Lead-Free |
| | RLD60P110 = 1100mA 60V | |
| Bourns | MF-R090 = 900mA 60V 200 mil lead space | |
| | MF-RX110 = 1100mA 60V | |
| | Stock Digkey .36/500 .45/100 | |
| Raychem | RUE090 = 900mA 33V 200 mil lead space | |
| | RXE090 = 900mA 72V | |
| TTI, Mouser, Digkey | Both ore .30/500 | |

Rear Panel Connector

