

Option 1 TS-7553-V2-SMN2I NXP i.MX6UL 698MHz ARM A7, 512MB DDR3, 4GB eMMC, Relay, Nibelink/Xbee socket, (-40C to 85C)

Option 2 TS-7553-V2-SMW7I NXP i.MX6UL 698MHz ARM A7, 512MB DDR3, 4GB eMMC, Relay, Nibelink/Xbee Socket, TS-SILO, LCD/Keypad, WiFi/Bluetooth (-40C to 85C)

Based on NXP i.MX6UL CPU

LCD and Keypad Option:

Included Only on xxx7x Standard Option

Add: CN1, CN2, and HD4

Console = UART 1
RS-485 = UART 2
BlueTooth = UART 3
RS-232 = UART 4, 5, 6
HD1 = UART 7
XBEE = UART 8

WiFi/Bluetooth Option w/ Chip Antenna

U.FL available on request

Included Only on xxx7x Standard Option

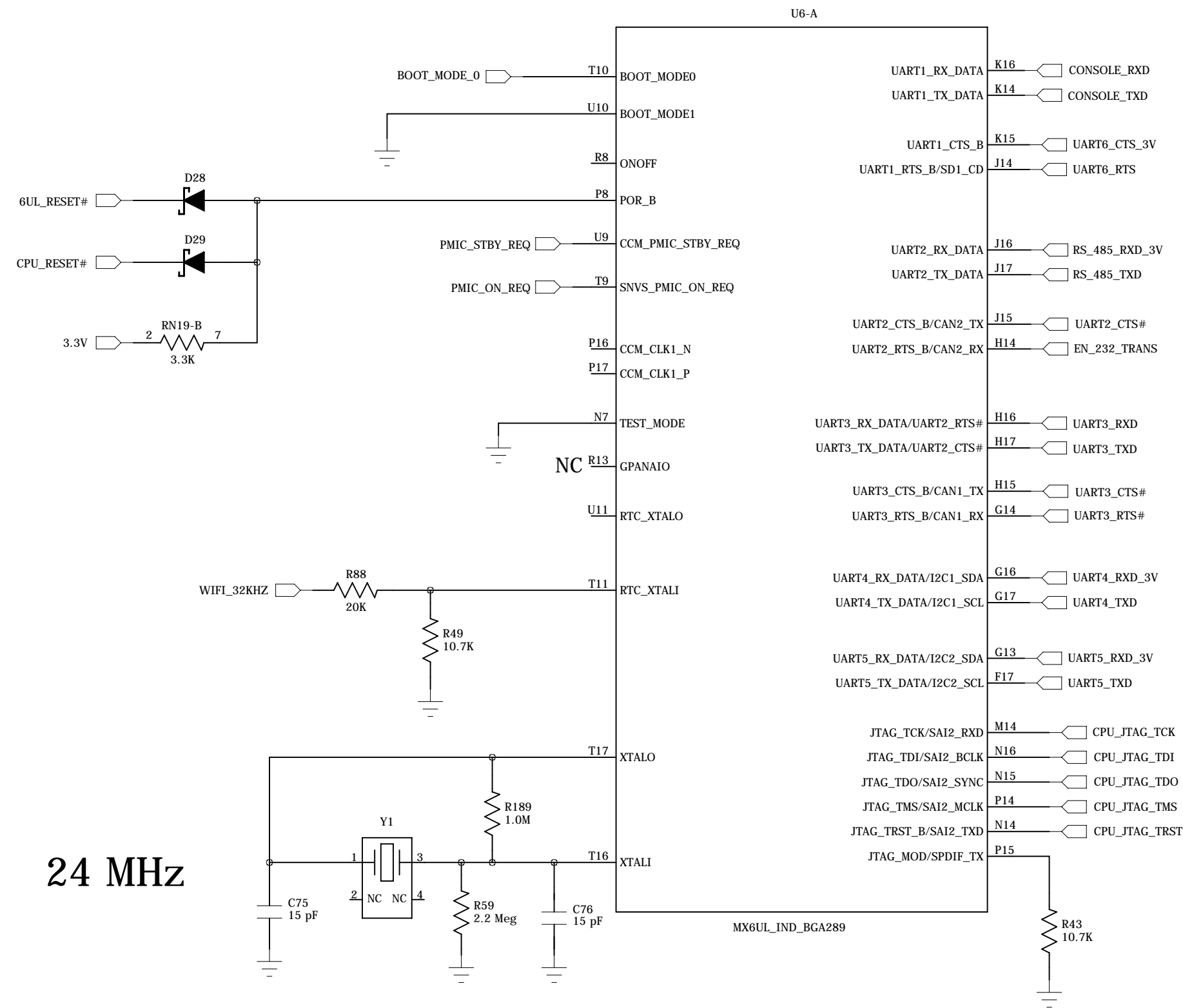
ADD: K2 (chip antenna)
(alternate: U.FL antenna connector)

Super Cap Option:

Included Only on xxx7x Standard Option

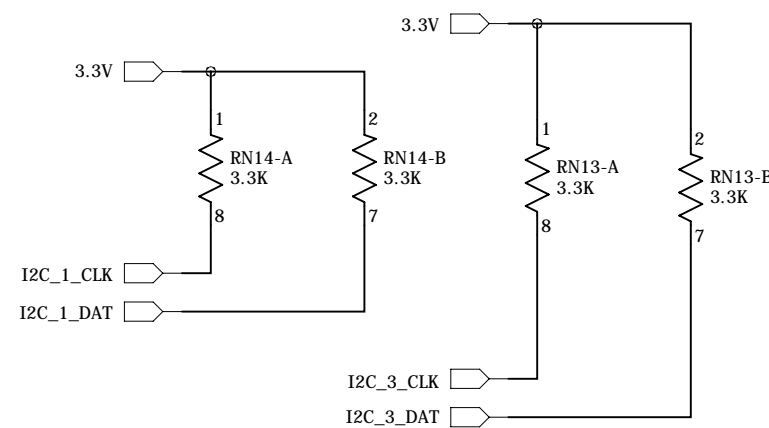
Add: U16, C98, and C99

6UL UART and Control

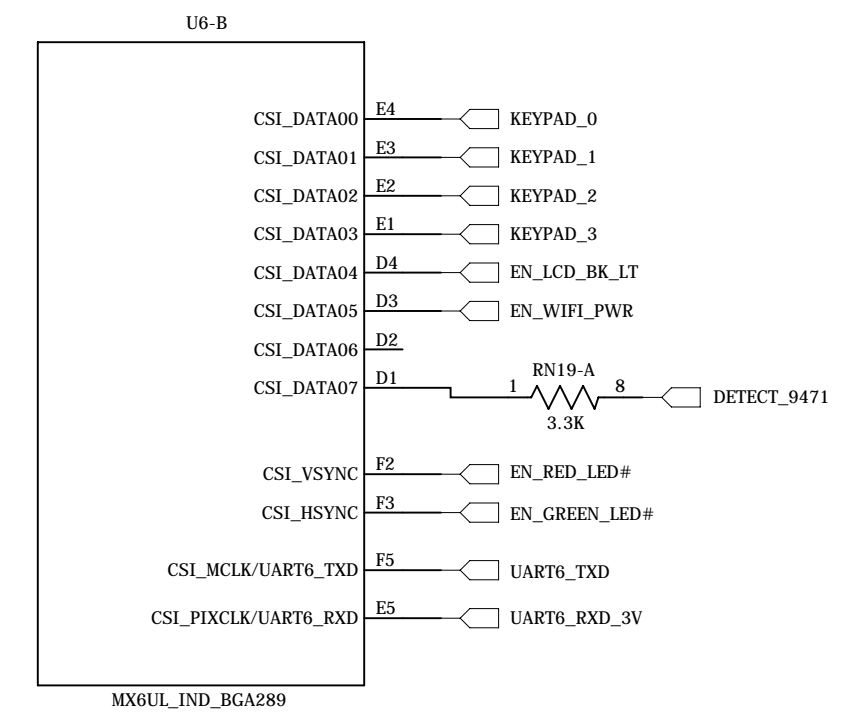


24 MHz

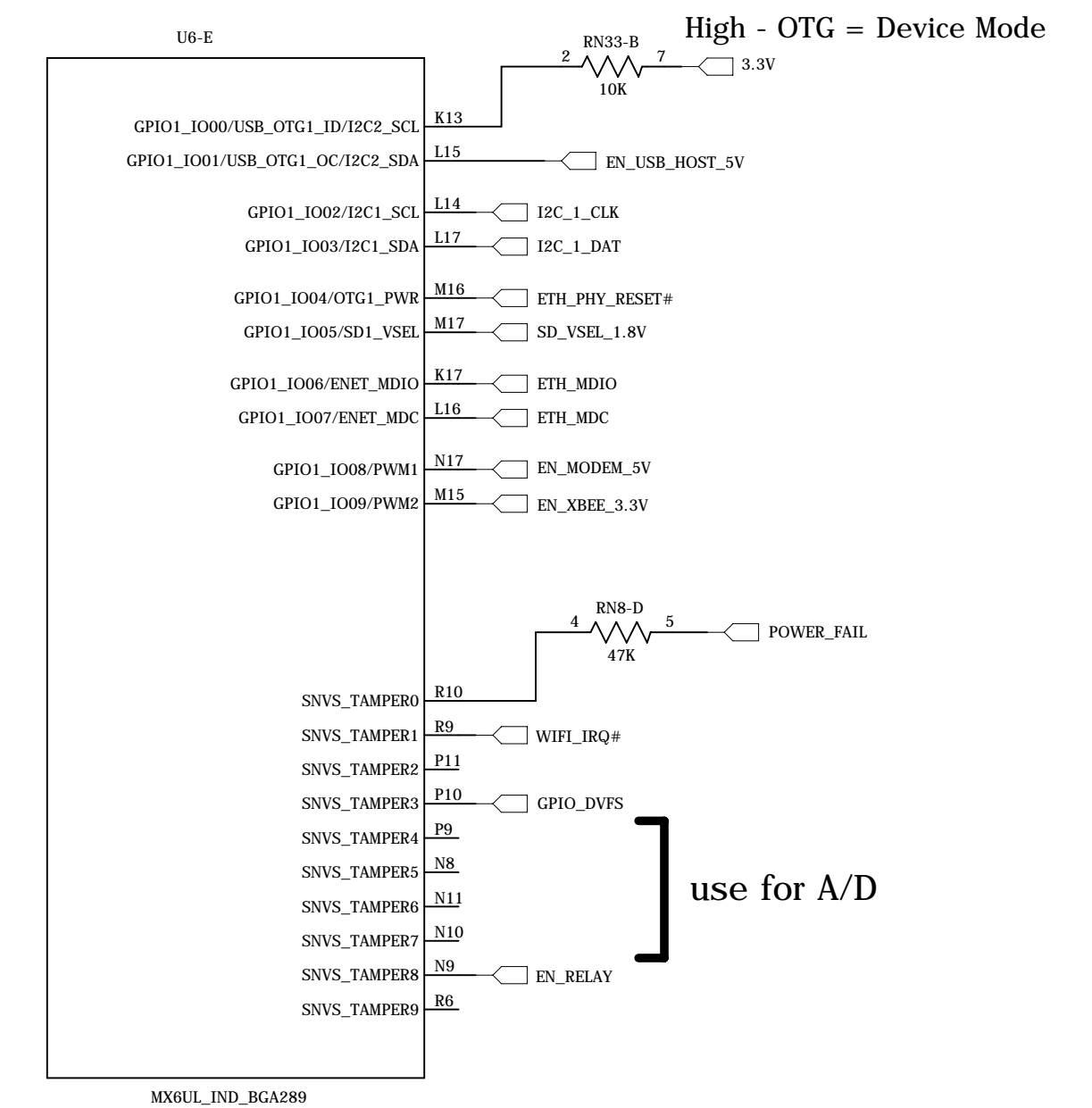
I2C PU Res.



6UL Camera

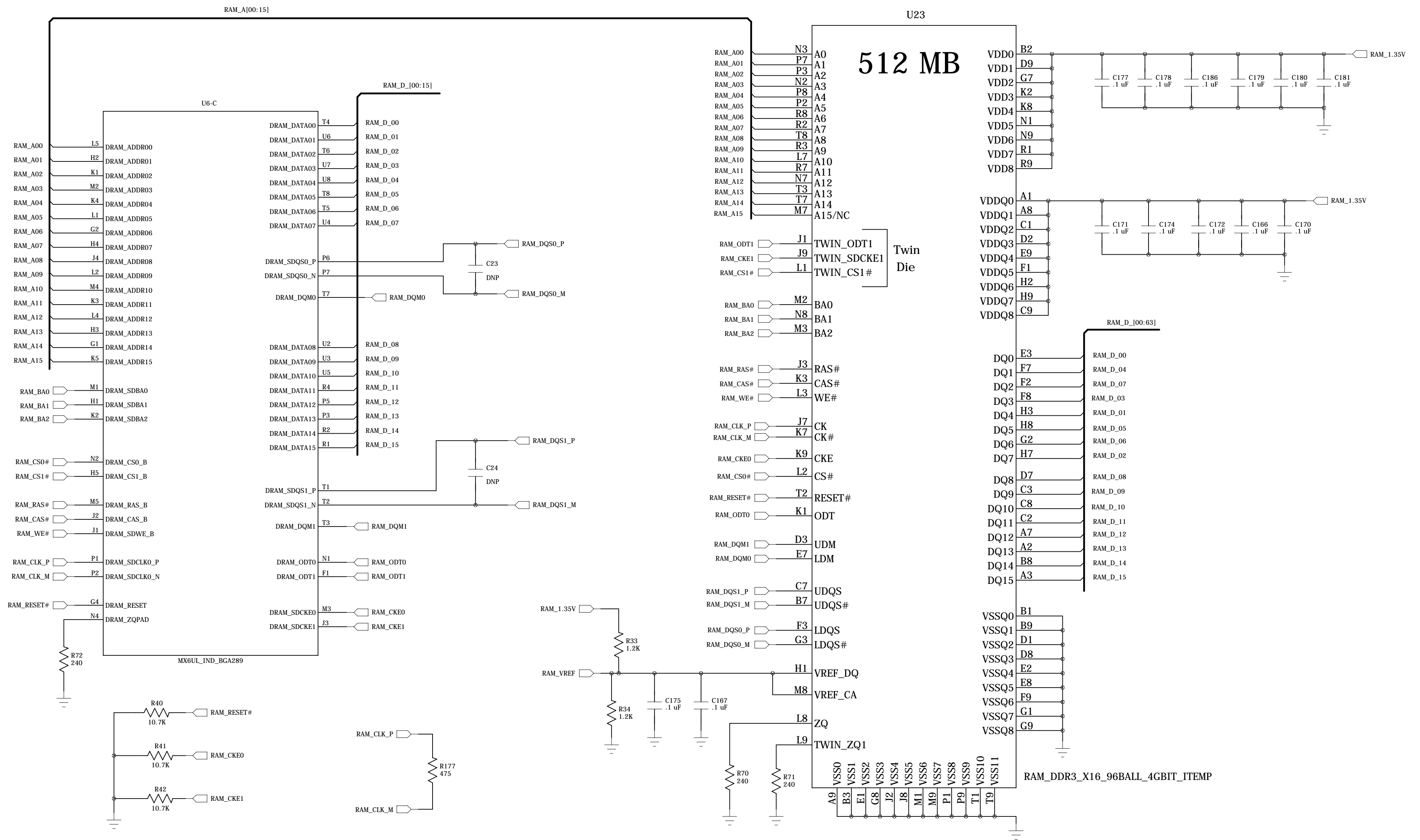


6UL DIO

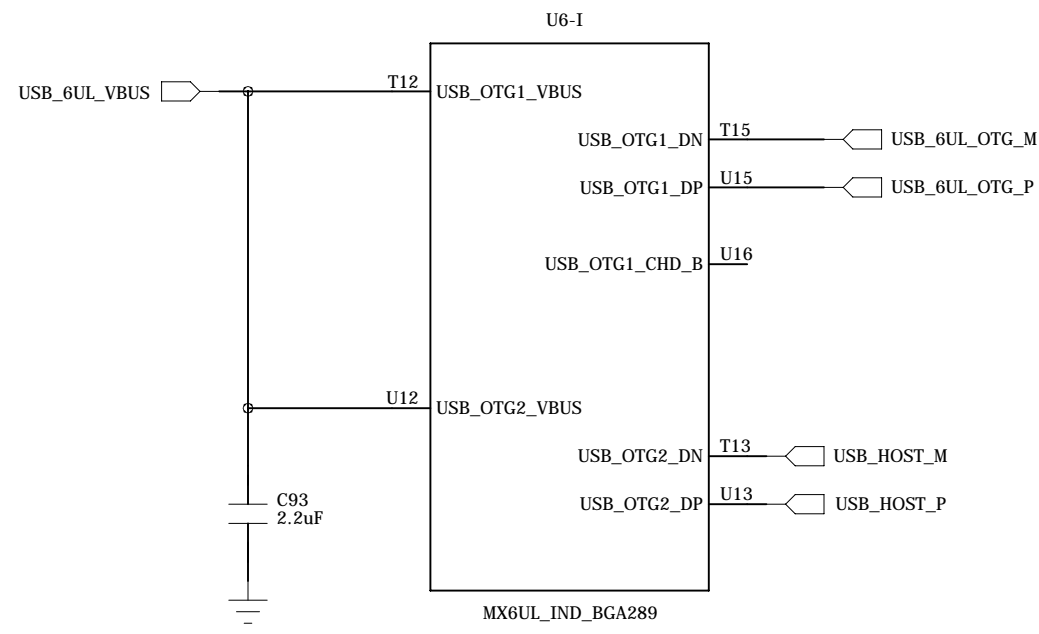


6UL RAM Interface

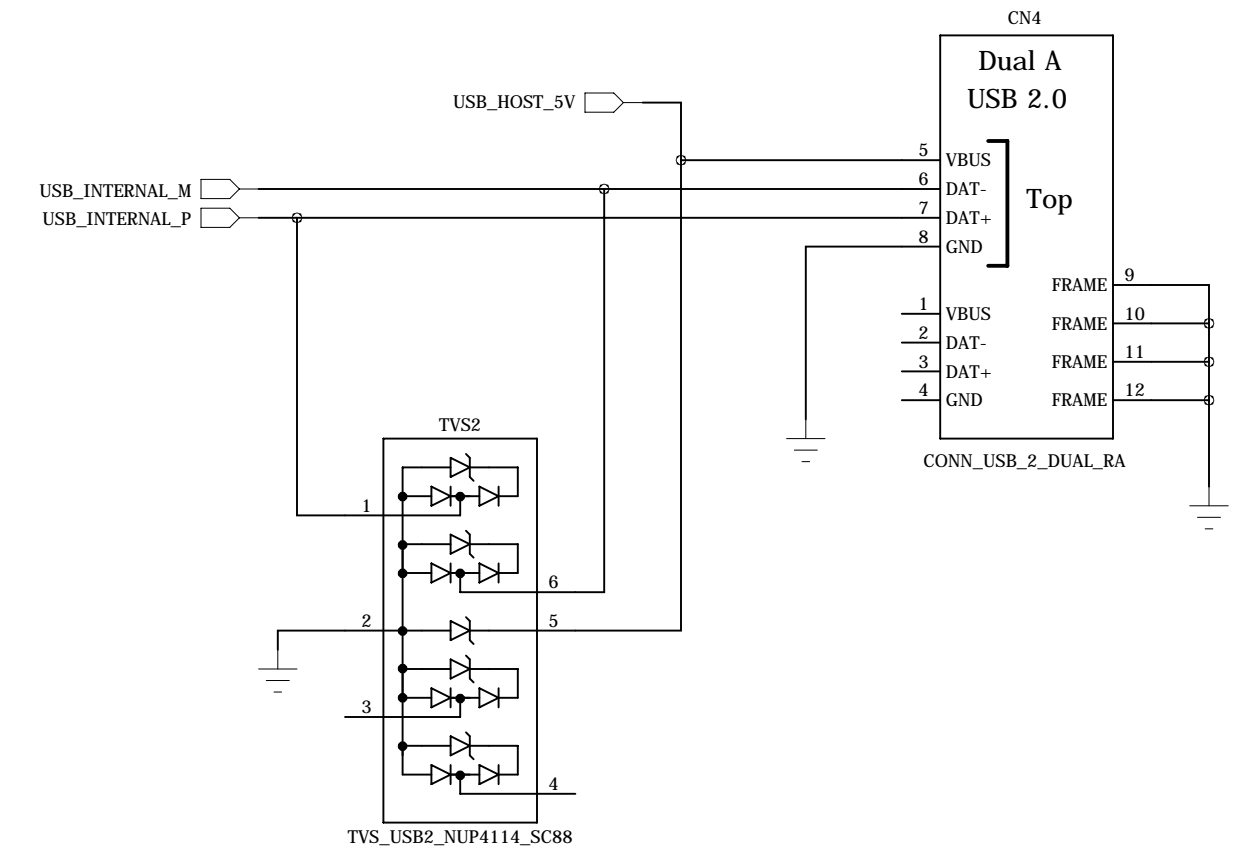
DDR3 RAM



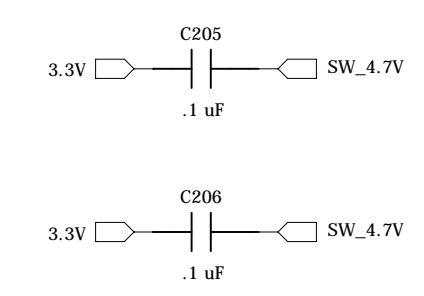
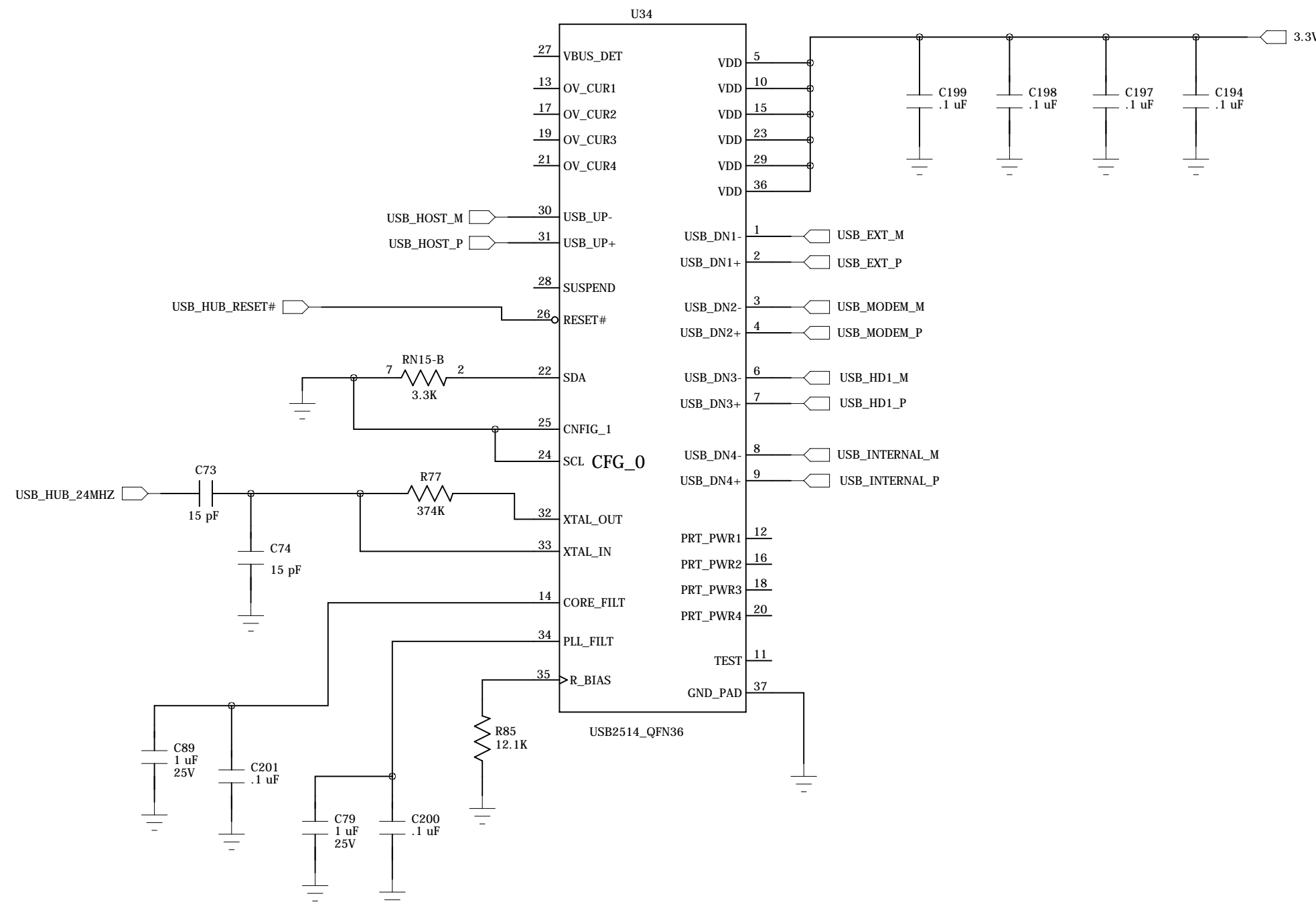
6UL USB Ports



Internal Host USB

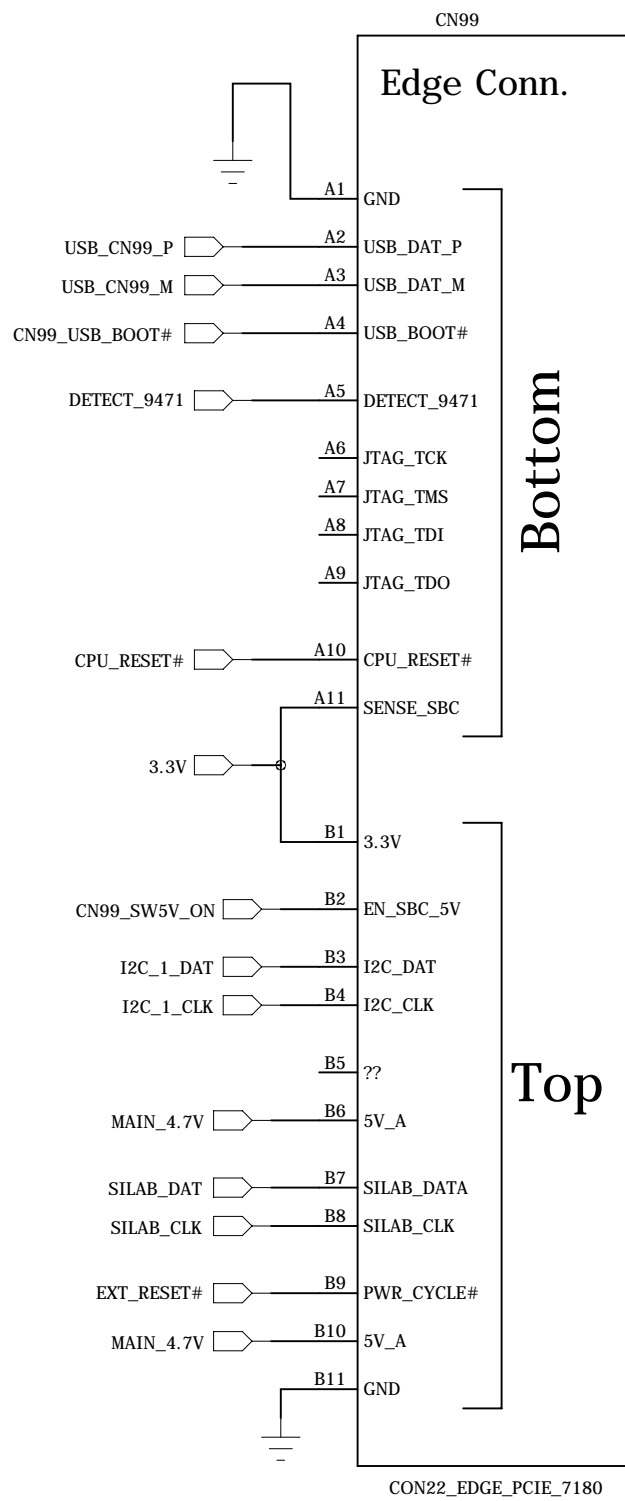


SMSC USB Hub

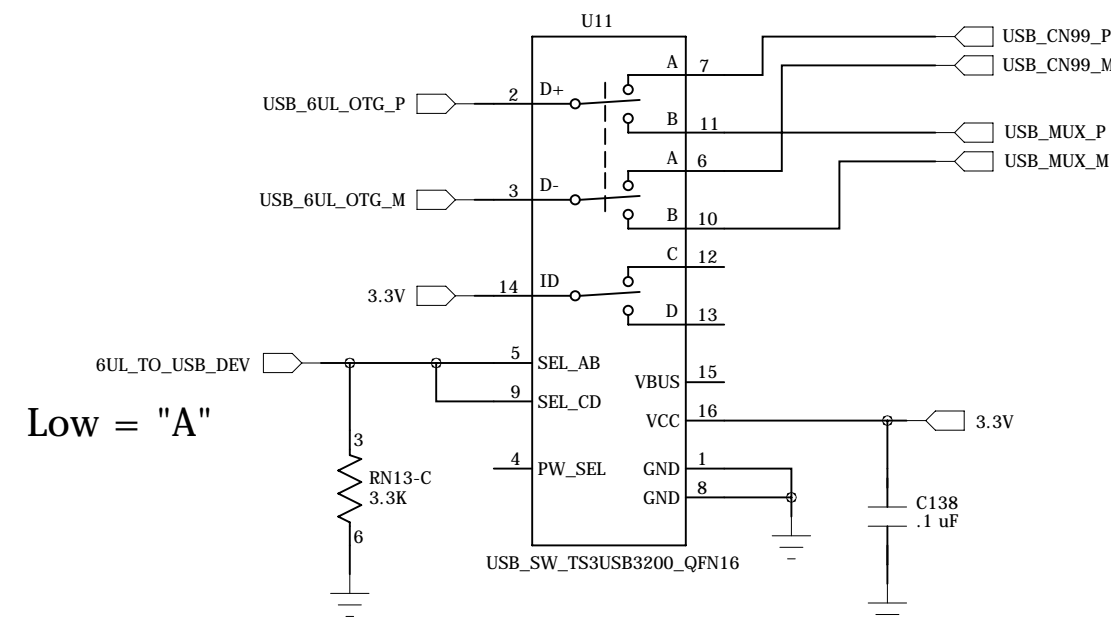


Technologic Systems	Date Jan. 14, 2017
Title: TS-7553-V2	
Rev: B	Designer
Sheet 8 of 22	

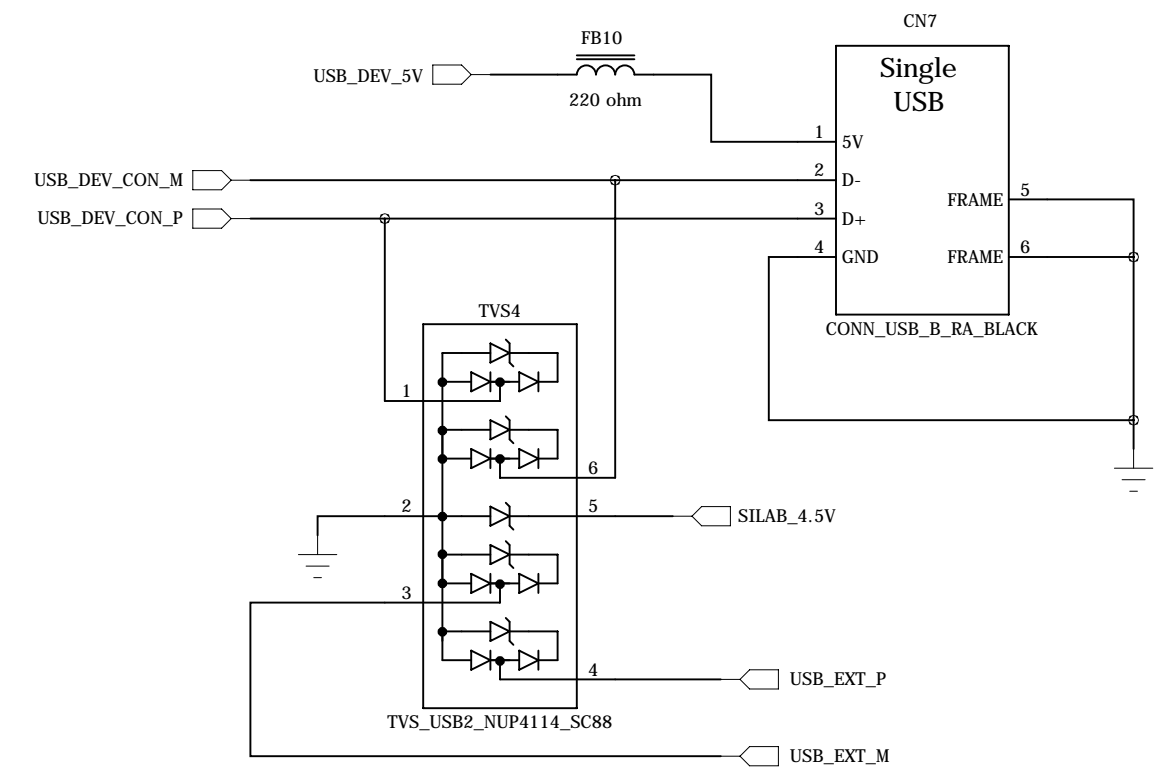
CN99 Factory Programming Edge Conn.



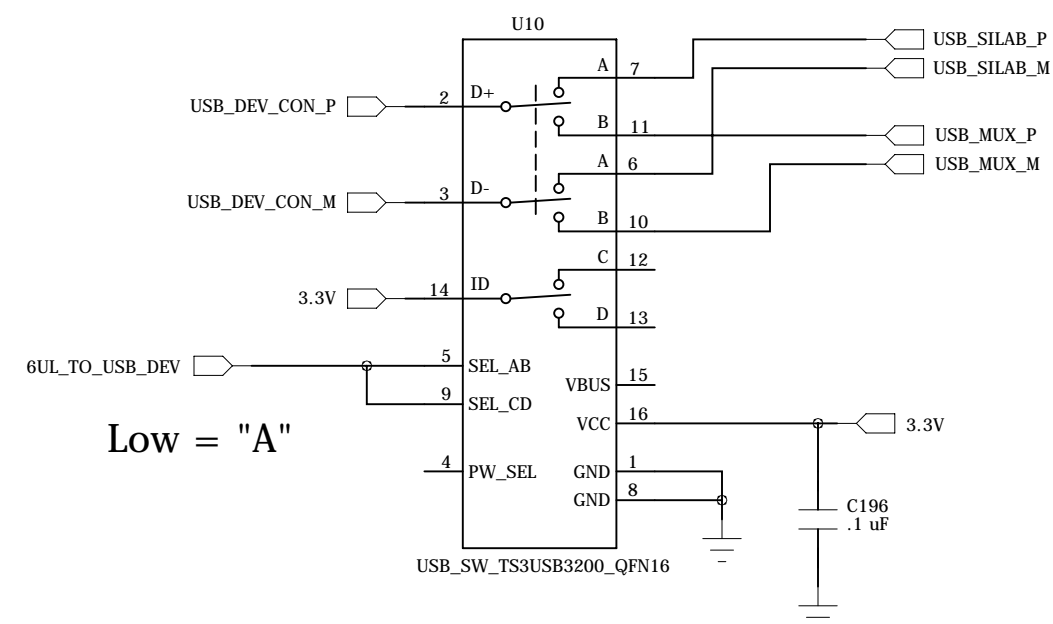
6UL OTG MUX To Dev Conn or CN99



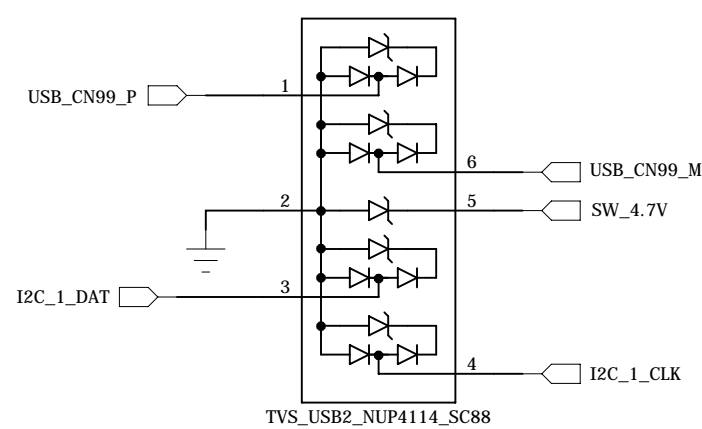
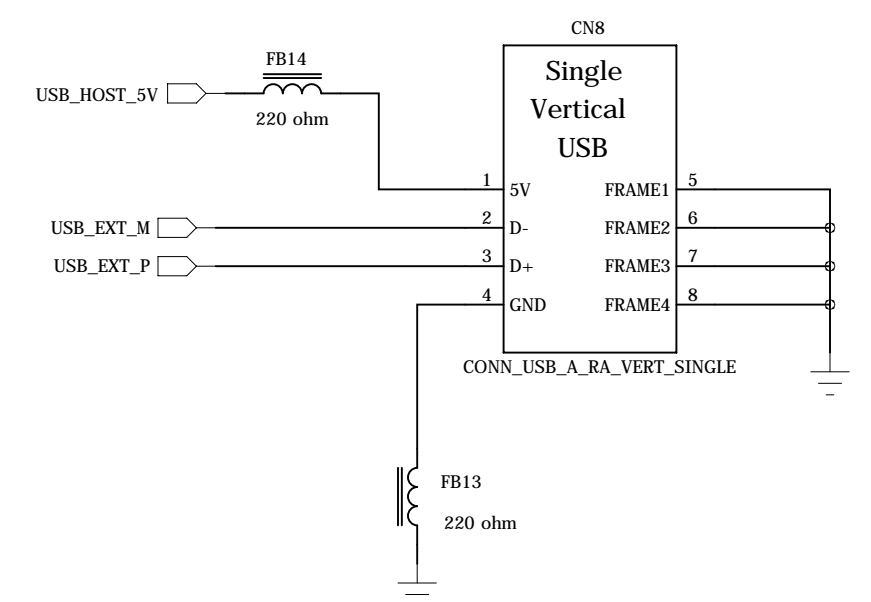
USB Device



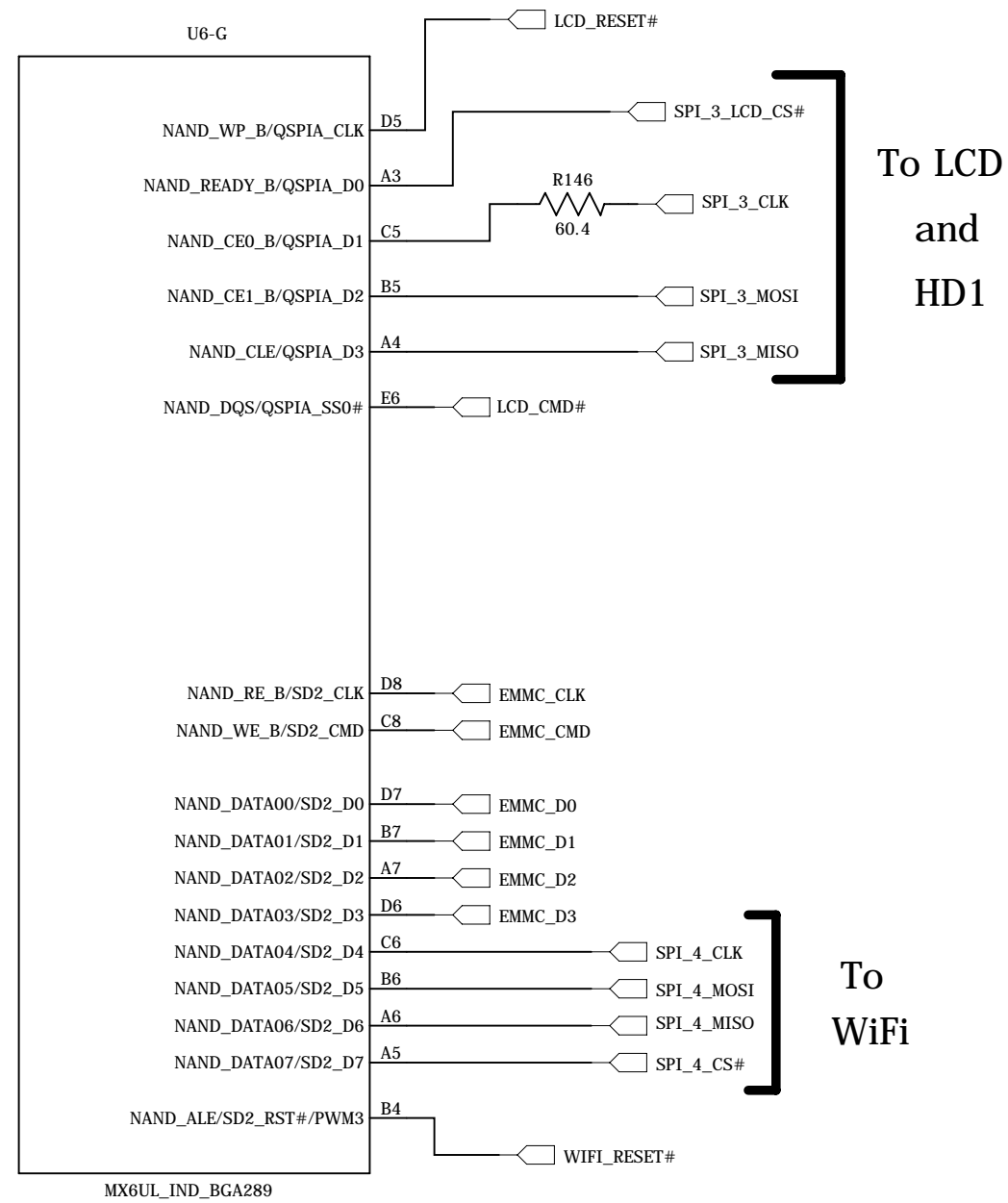
USB Dev Conn MUX To SiLab or 6UL



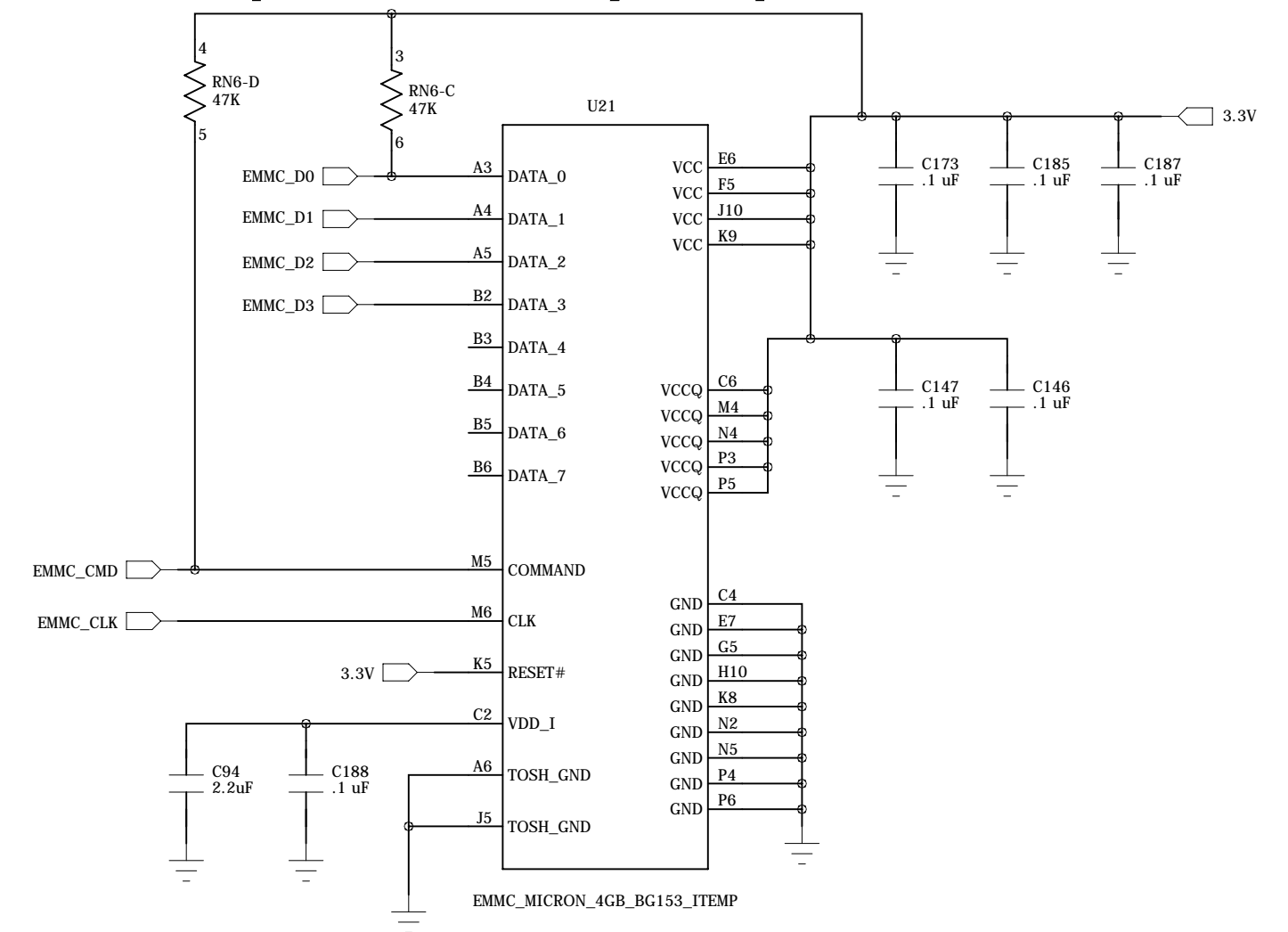
Ext. Host USB



6UL Flash

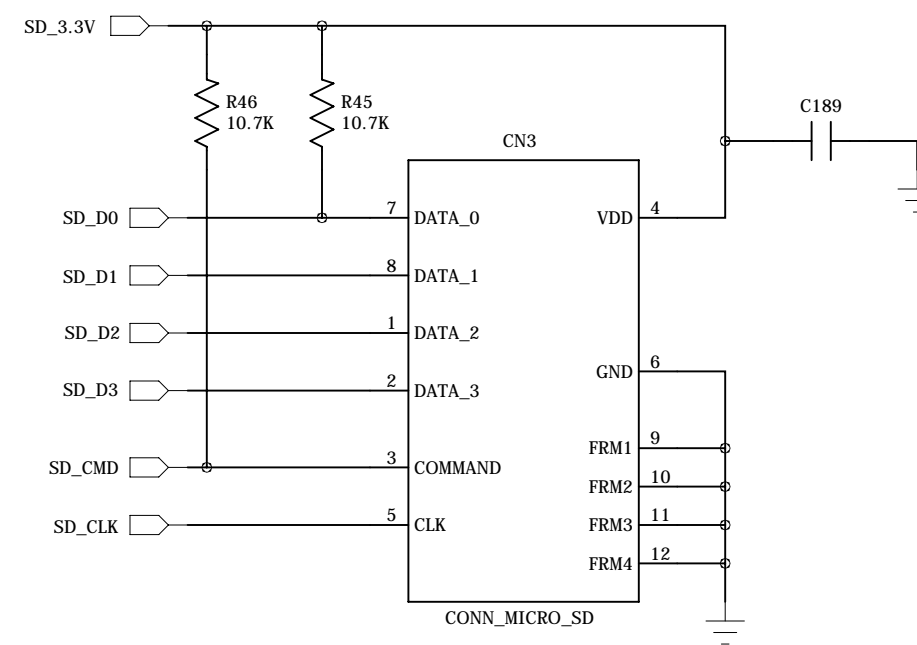
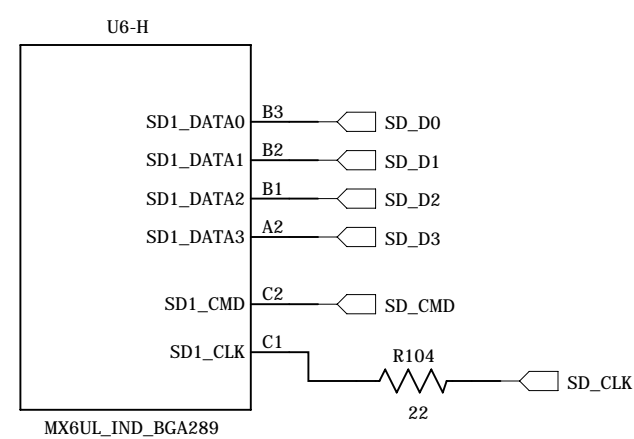


eMMC 4GB Optionally up to 64GB



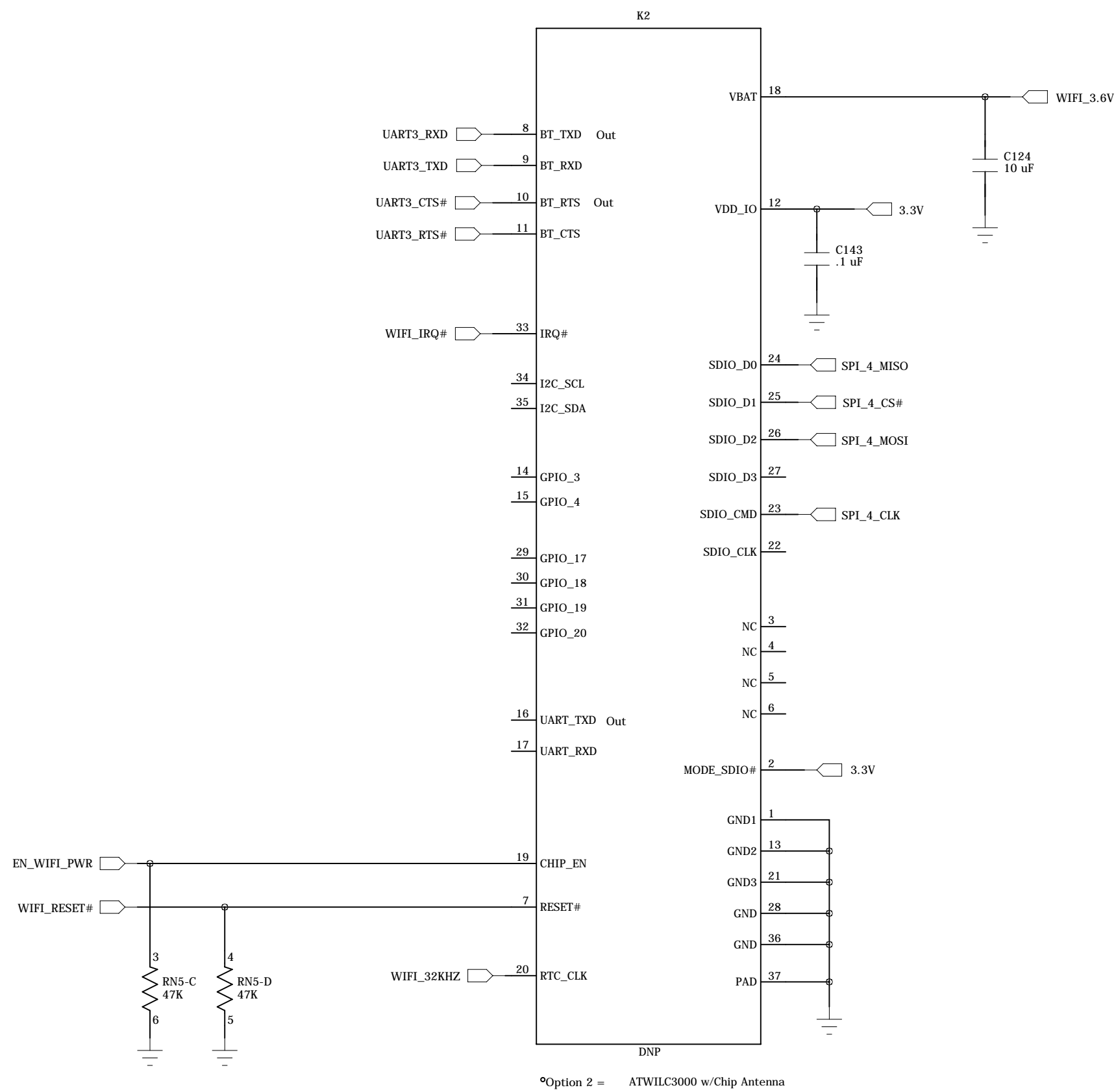
Micro SD Card Socket

6UL SDIO

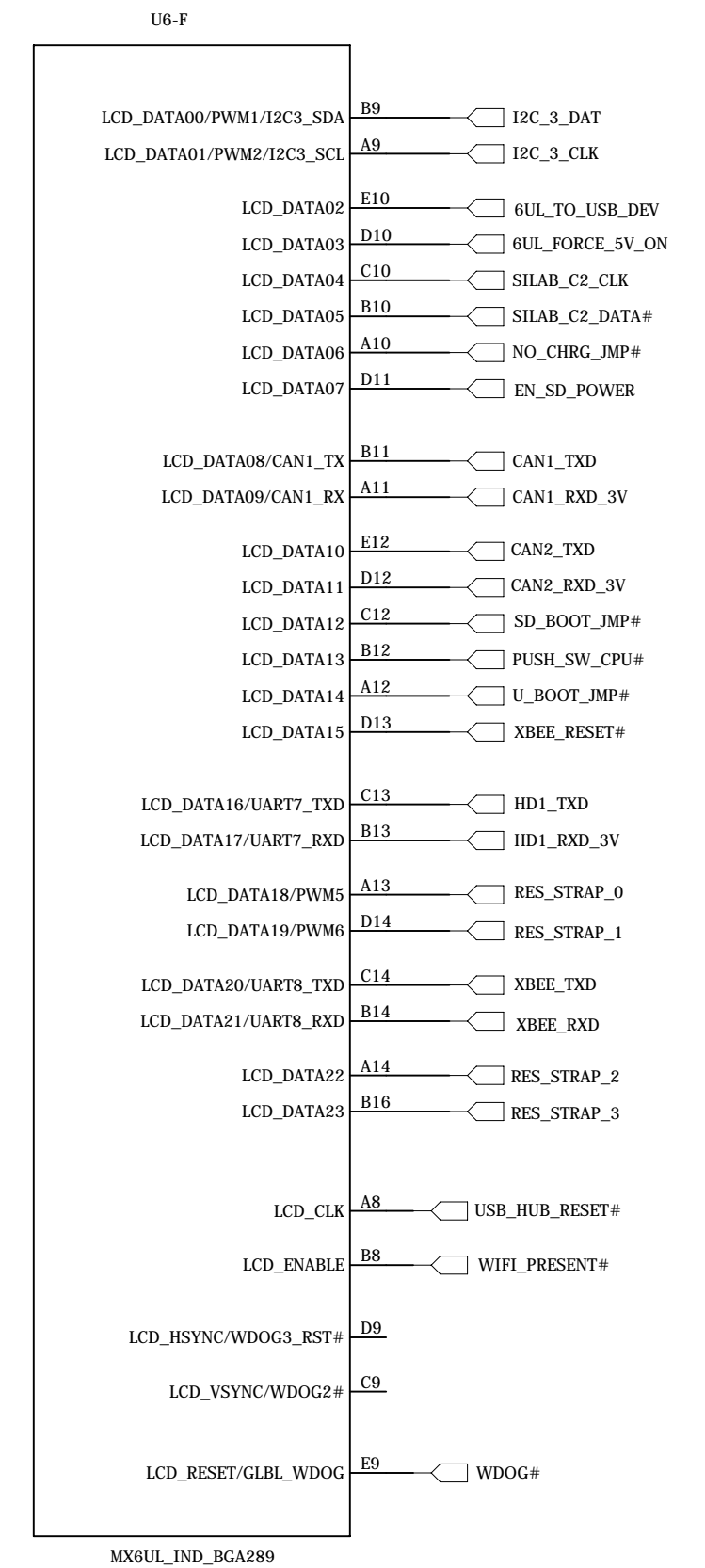


WiFi / Bluetooth Radio

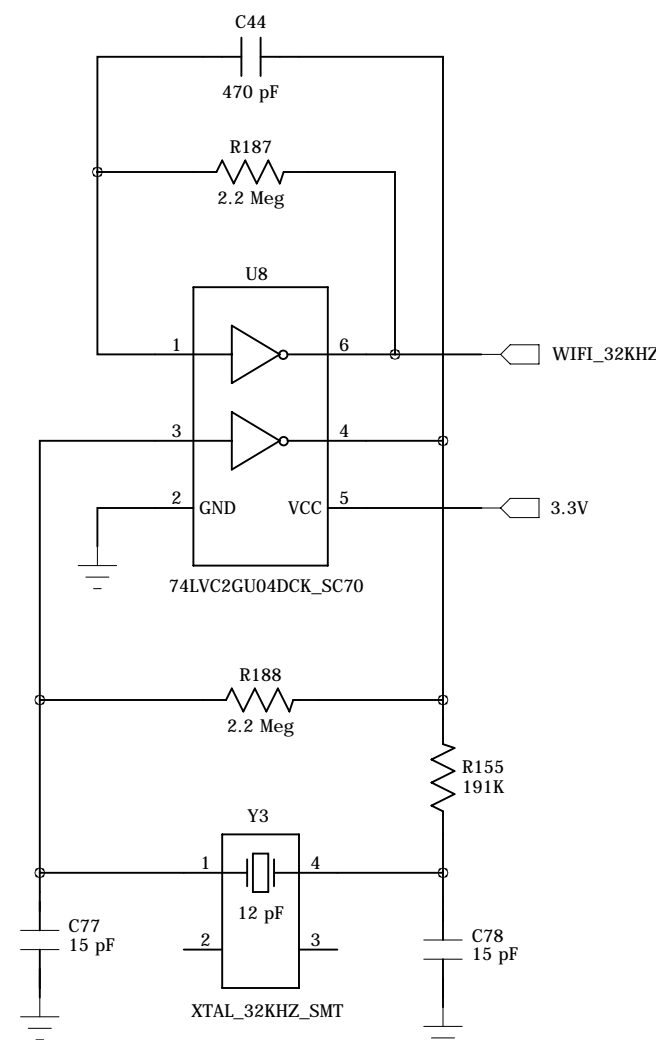
Console = UART 1
 RS-485 = UART 2
 BlueTooth = UART 3
 RS-232 = UART 4, 5, 6
 HD1 = UART 7
 XBEE = UART 8



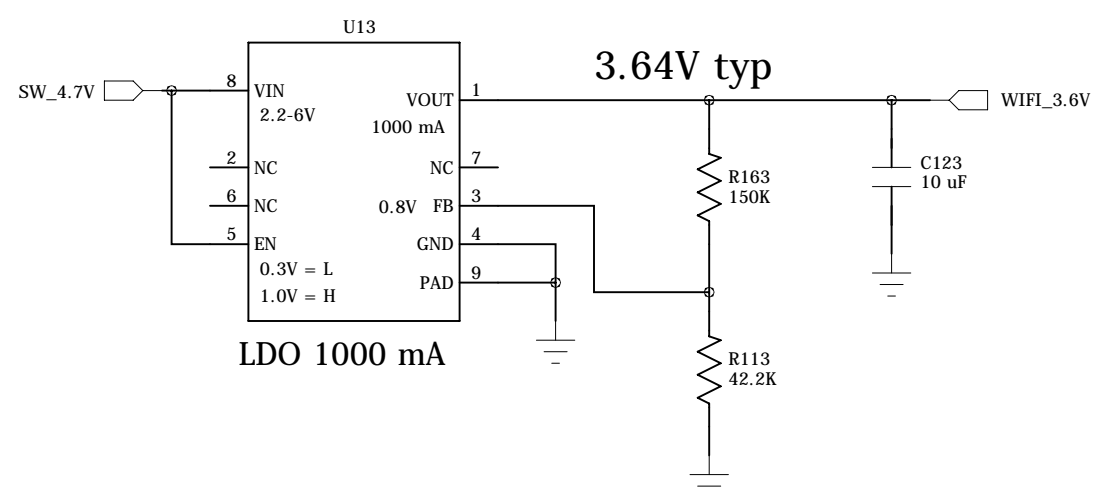
6UL LCD



32KHz Osc.

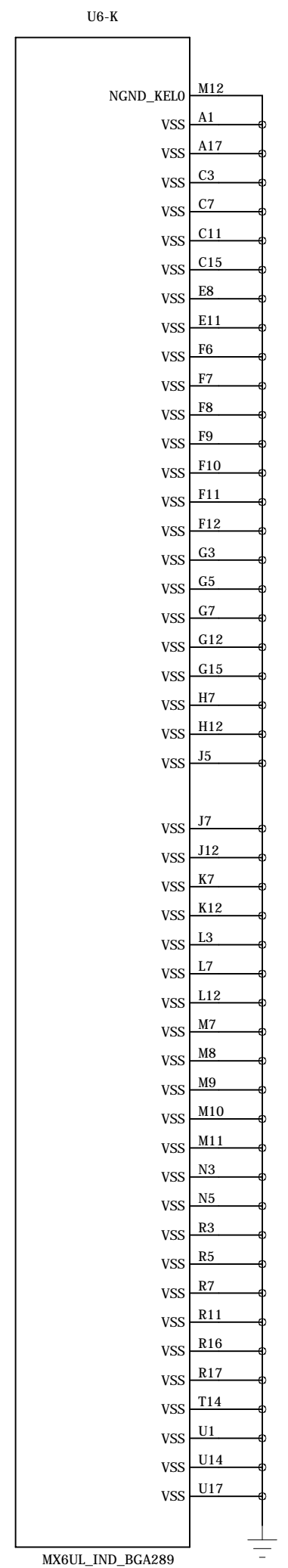
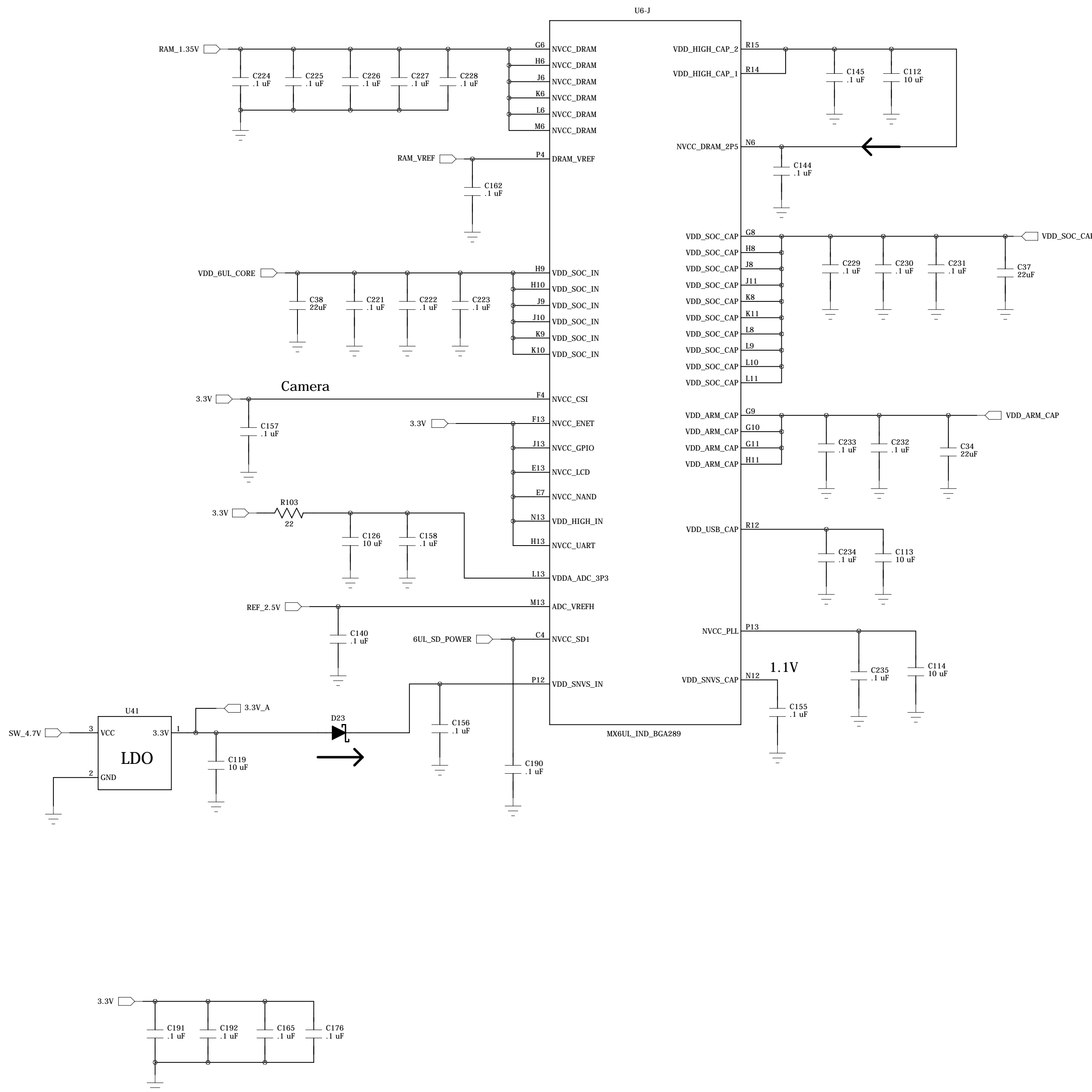


WiFi 3.6V Reg.



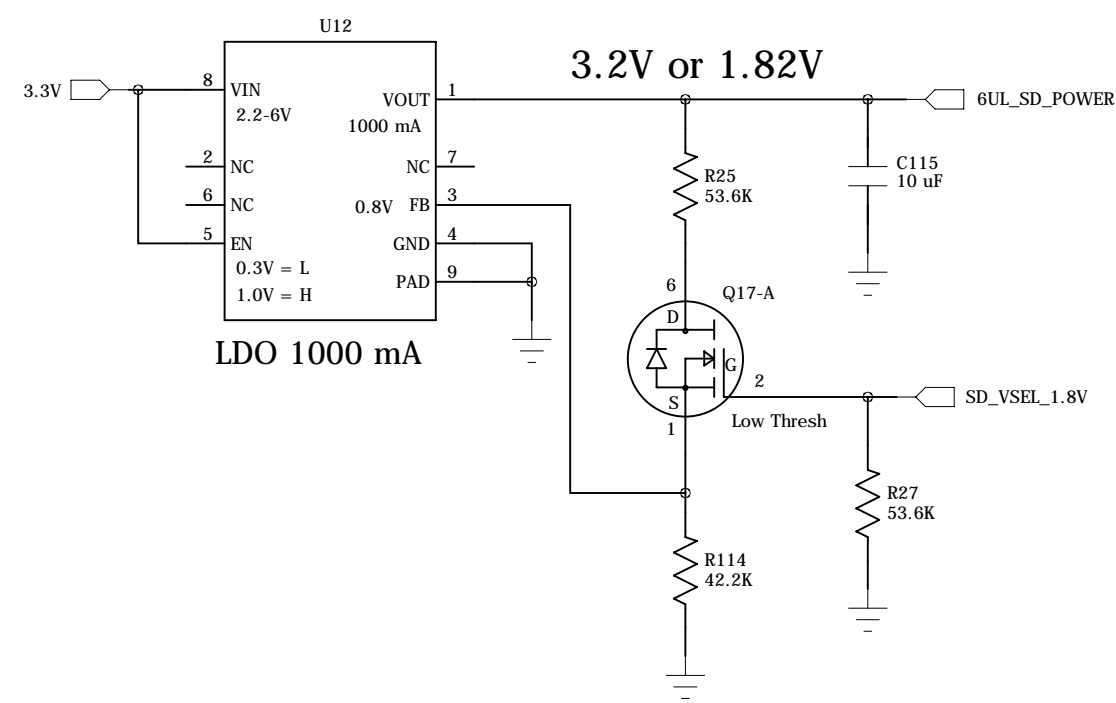
6UL Power

6UL GND

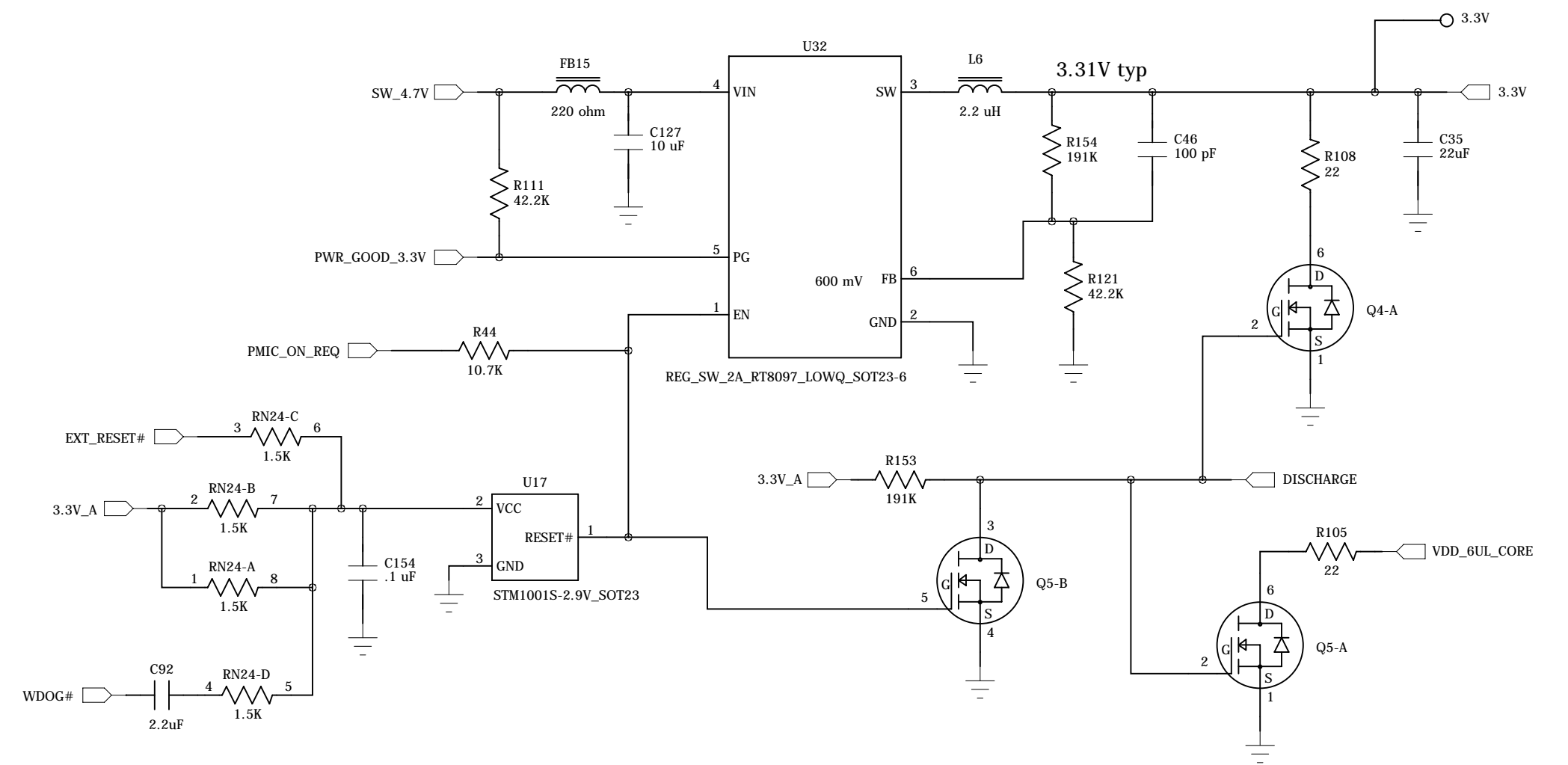


SD Card 1A Reg

1.8V or 3.2V

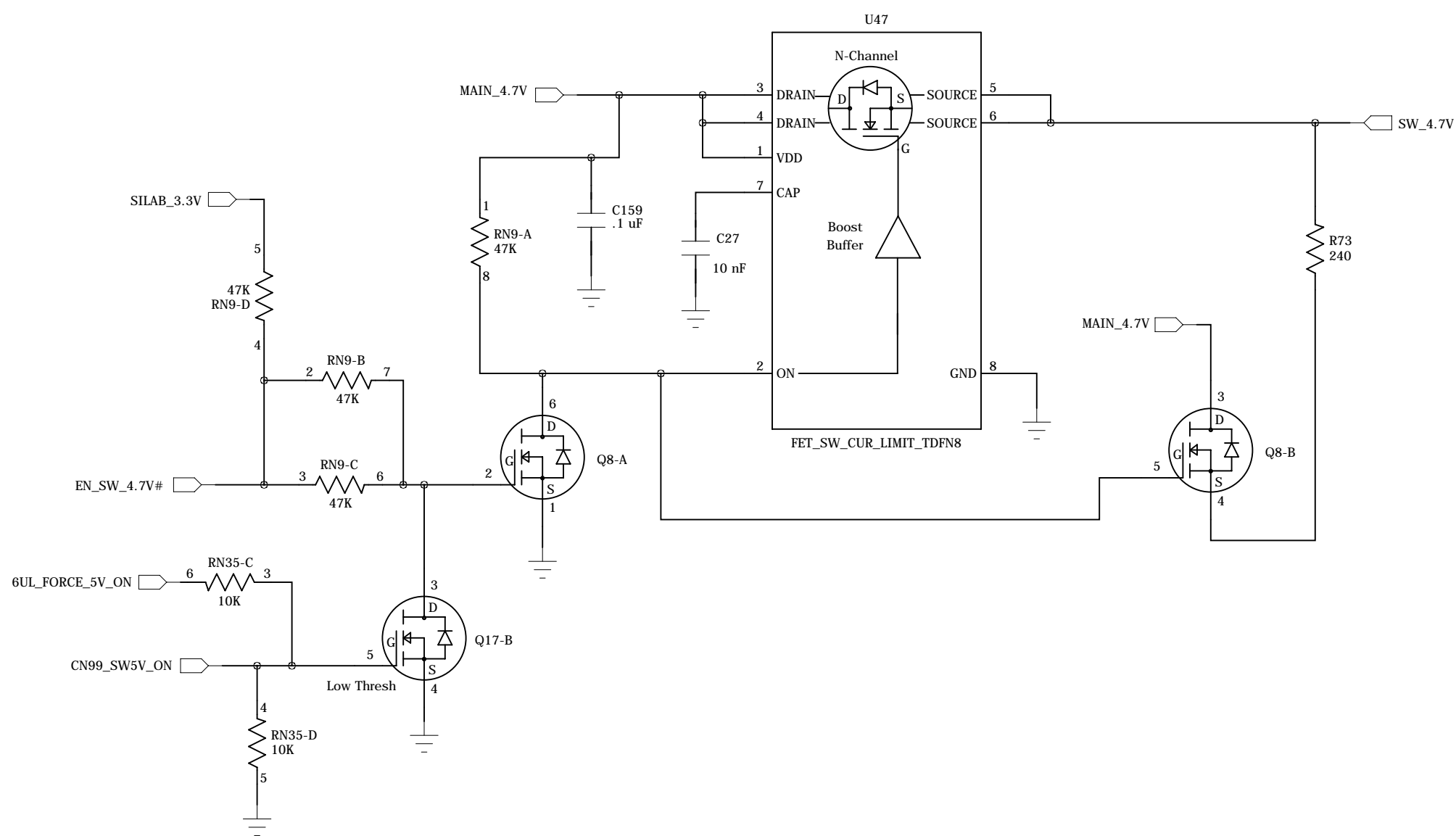


3.3V 2A Reg #1

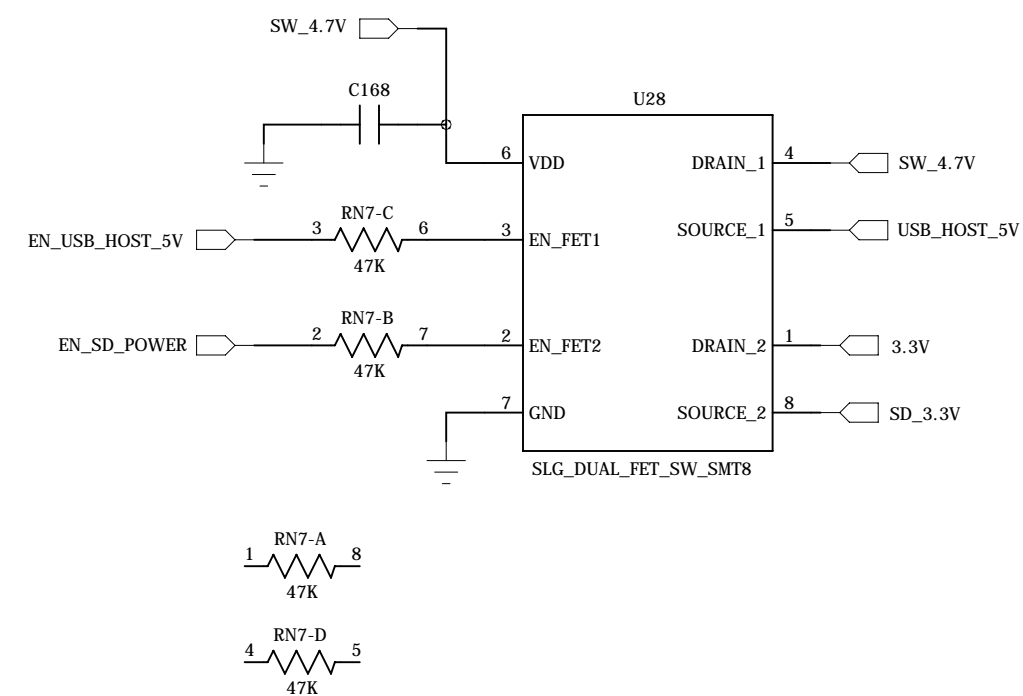


Technologic Systems	Date Jan. 14, 2017
Title: TS-7553-V2	
Rev: B	Designer
Sheet 13 of 22	

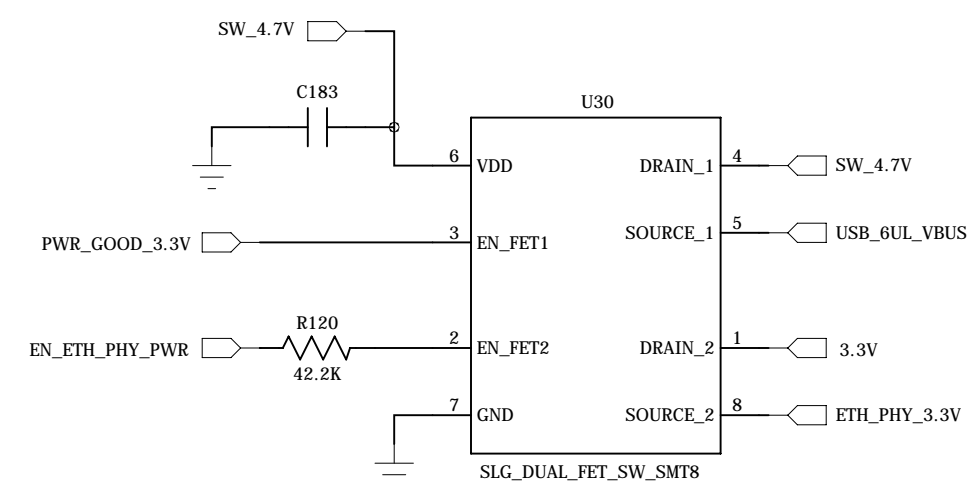
Main 5V Power Sw.



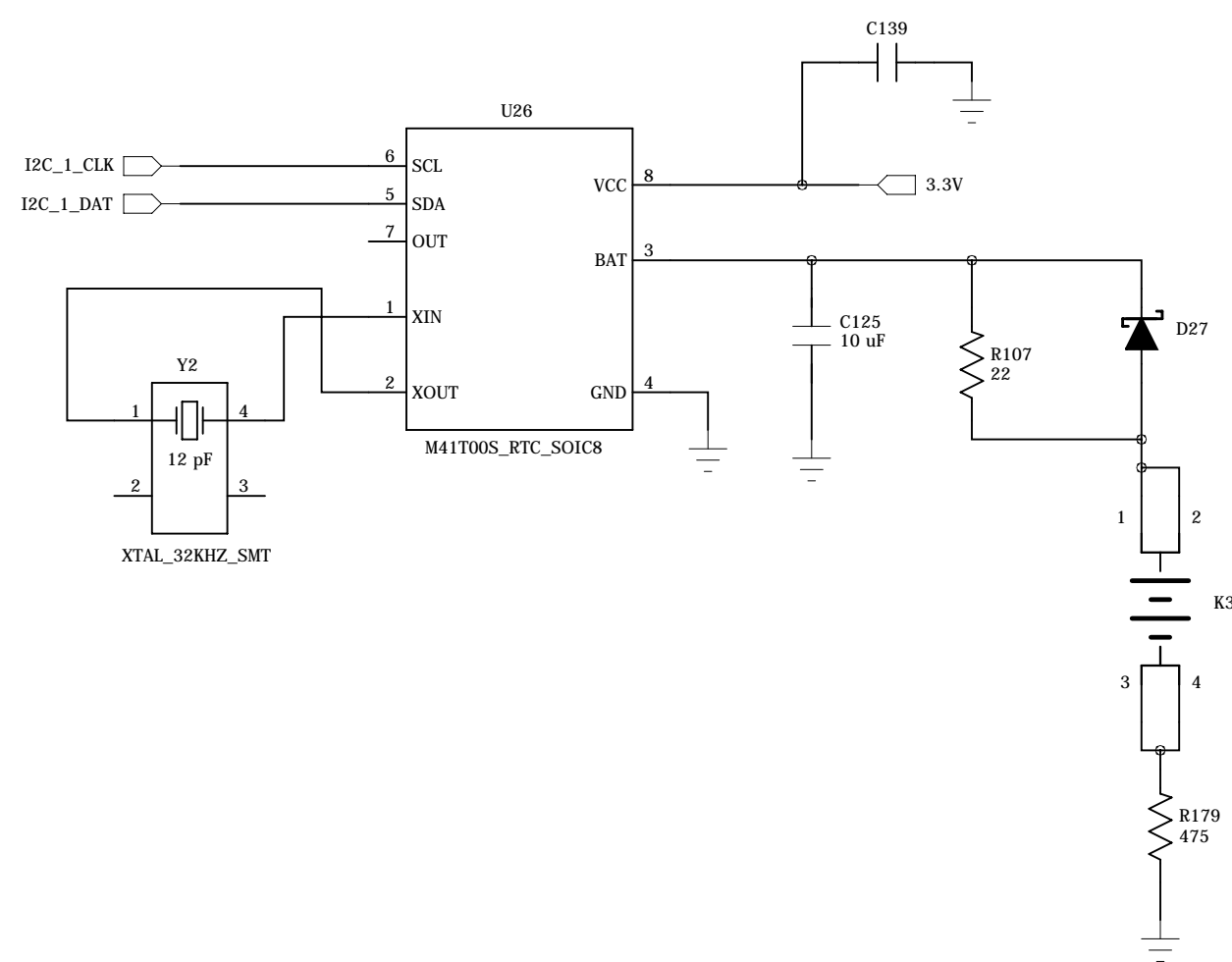
USB Host 5V and SD Card Power Sw.



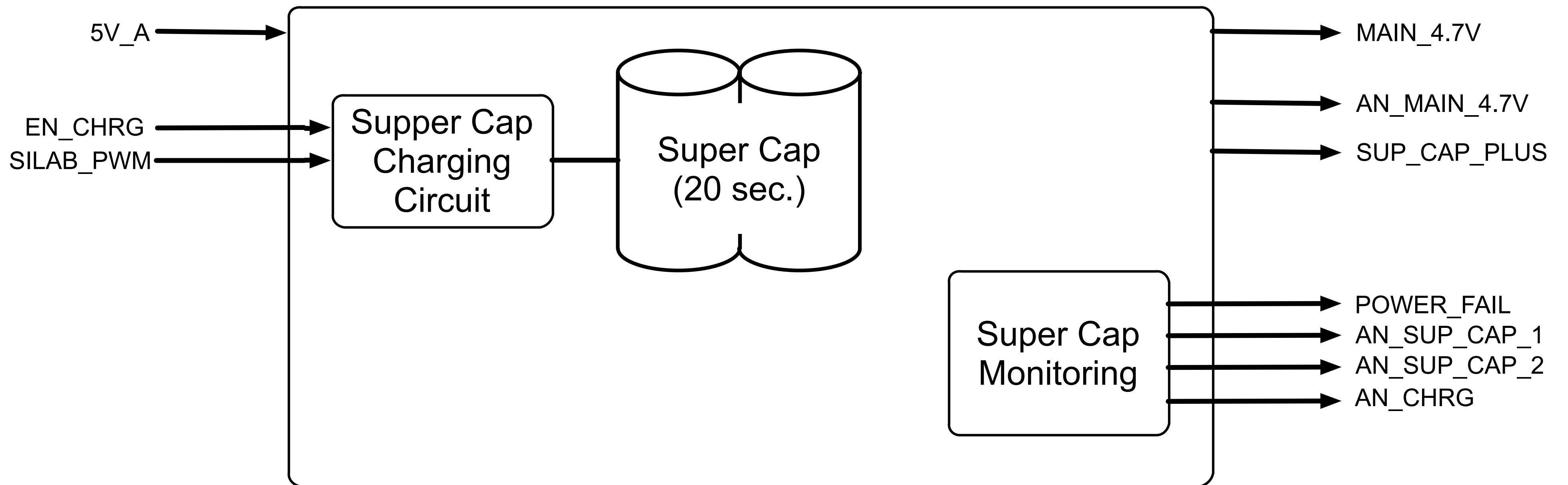
USB VBus and Eth Power Sw.



ST Micro RTC

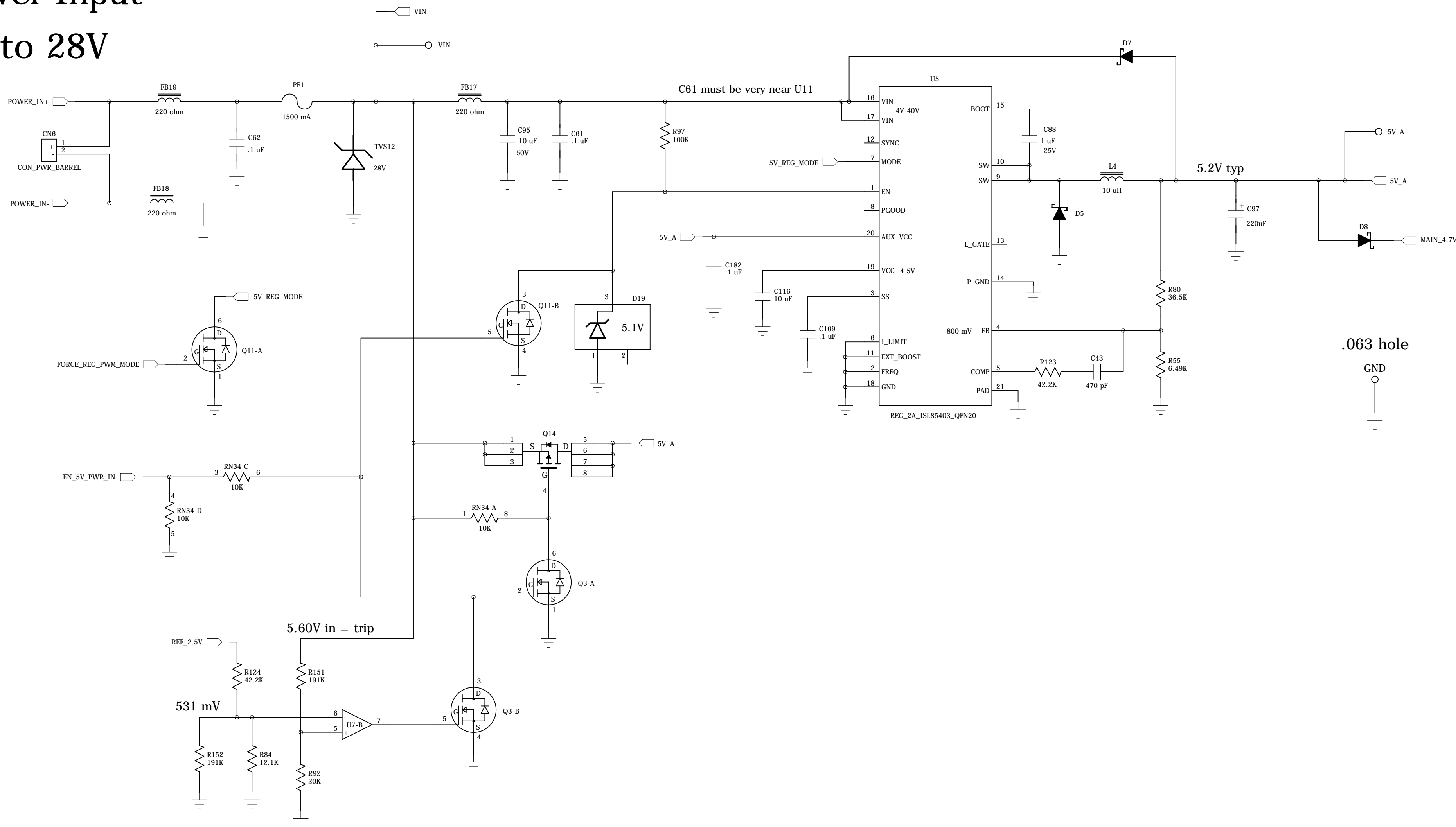


SuperCap 20 Second Power Hold



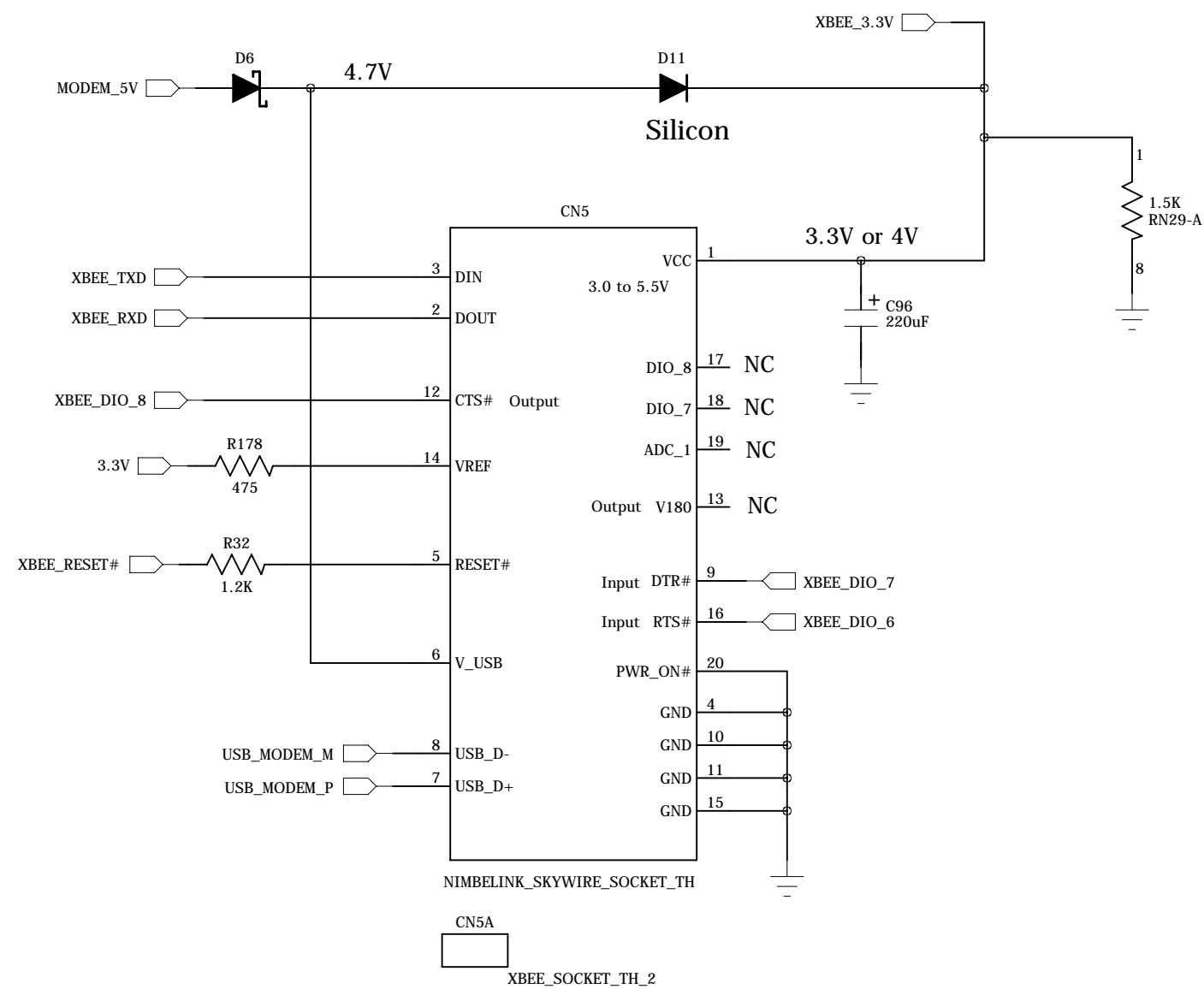
5V Regulator 2.5A

Power Input
5V to 28V

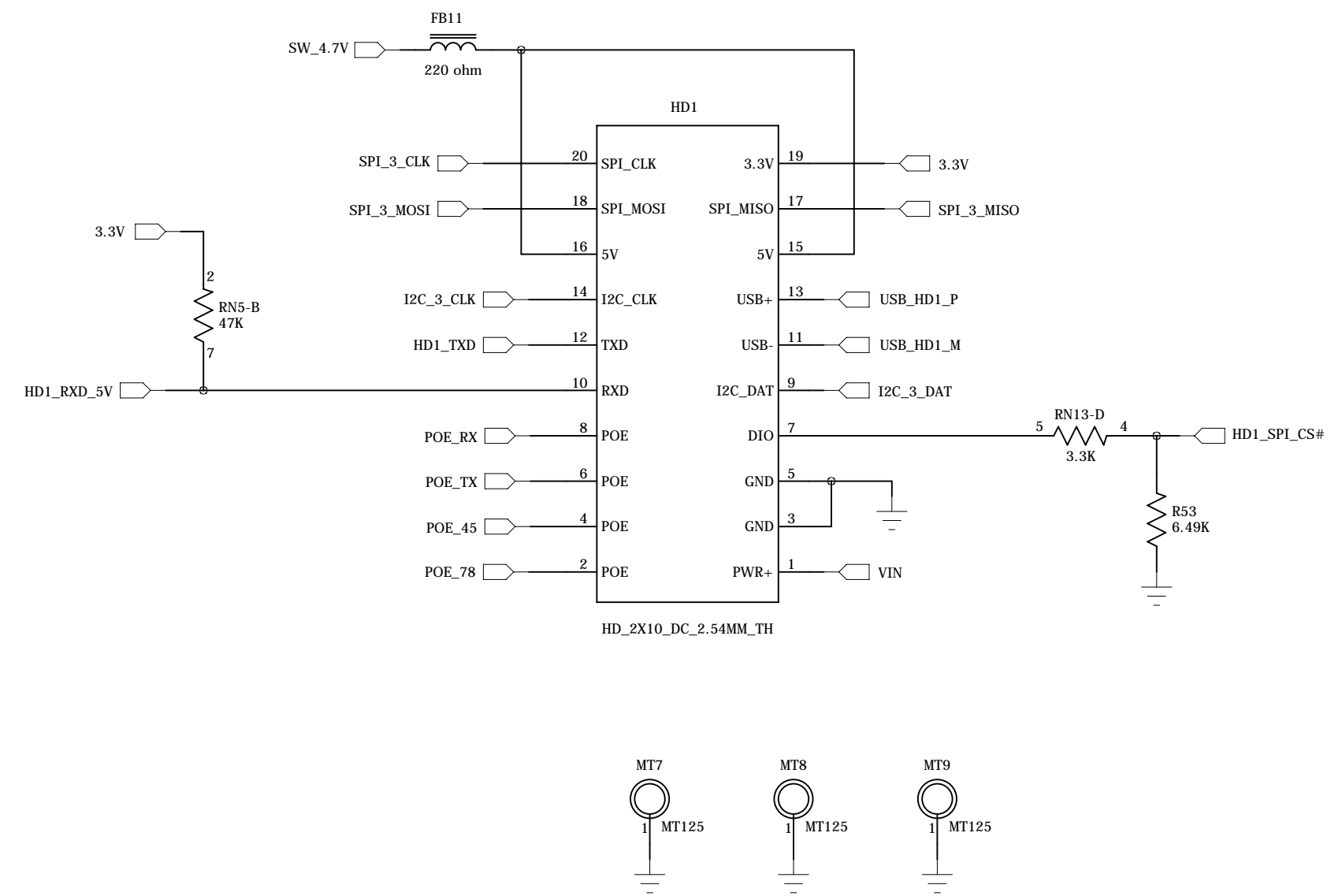


SBC will not work properly when power input voltage is between 5.3V and 7V

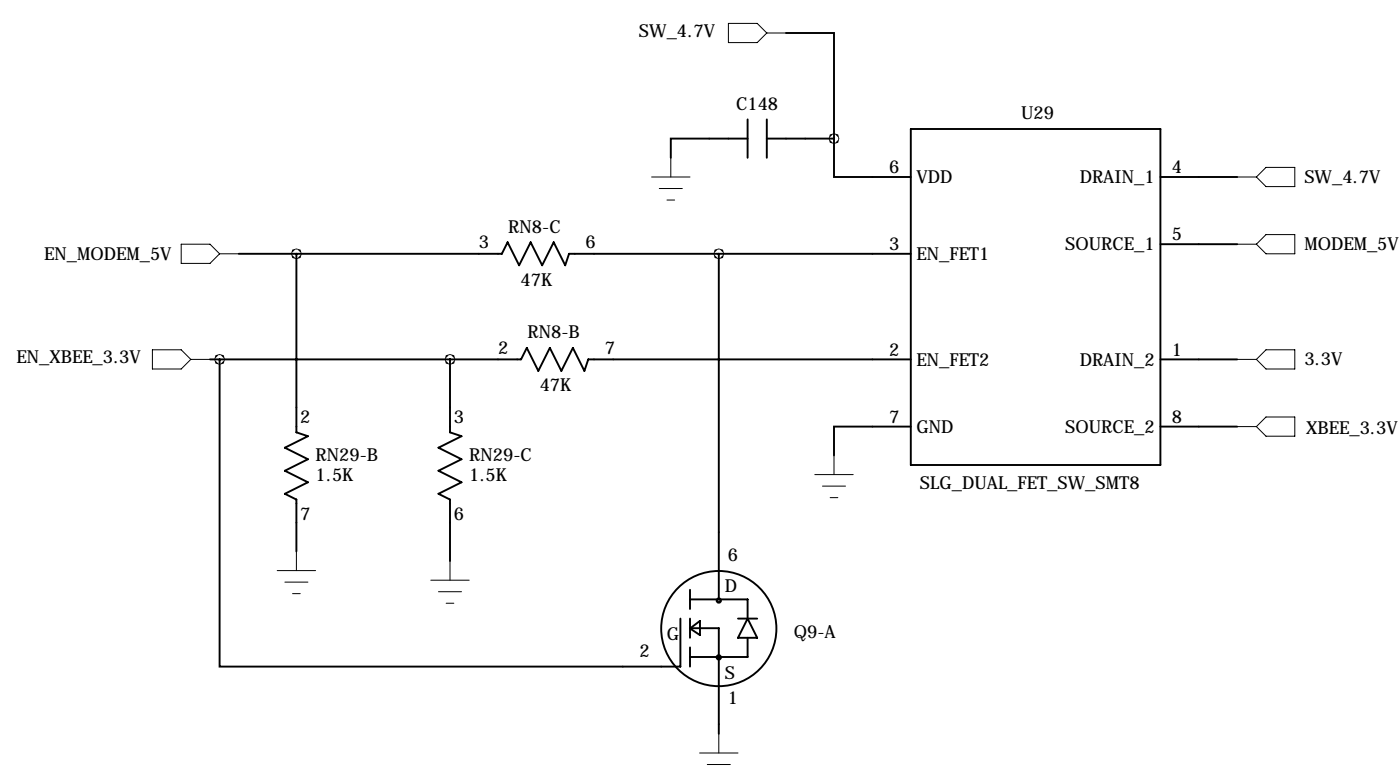
NimbeLink Modem Socket



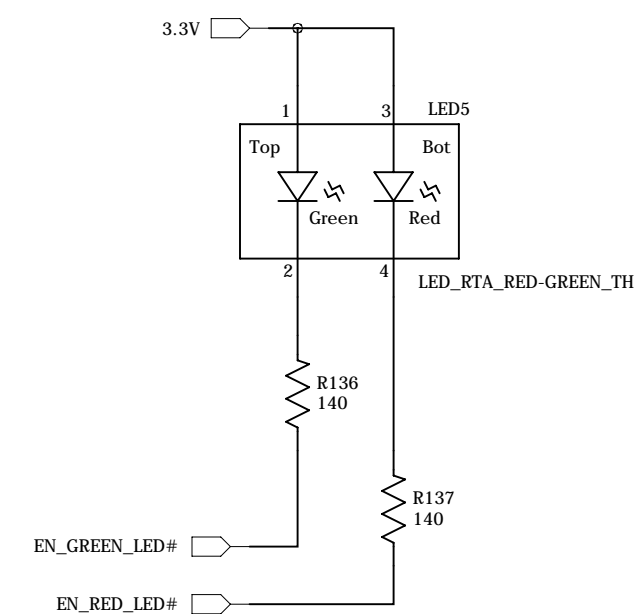
Daughter Card Interface



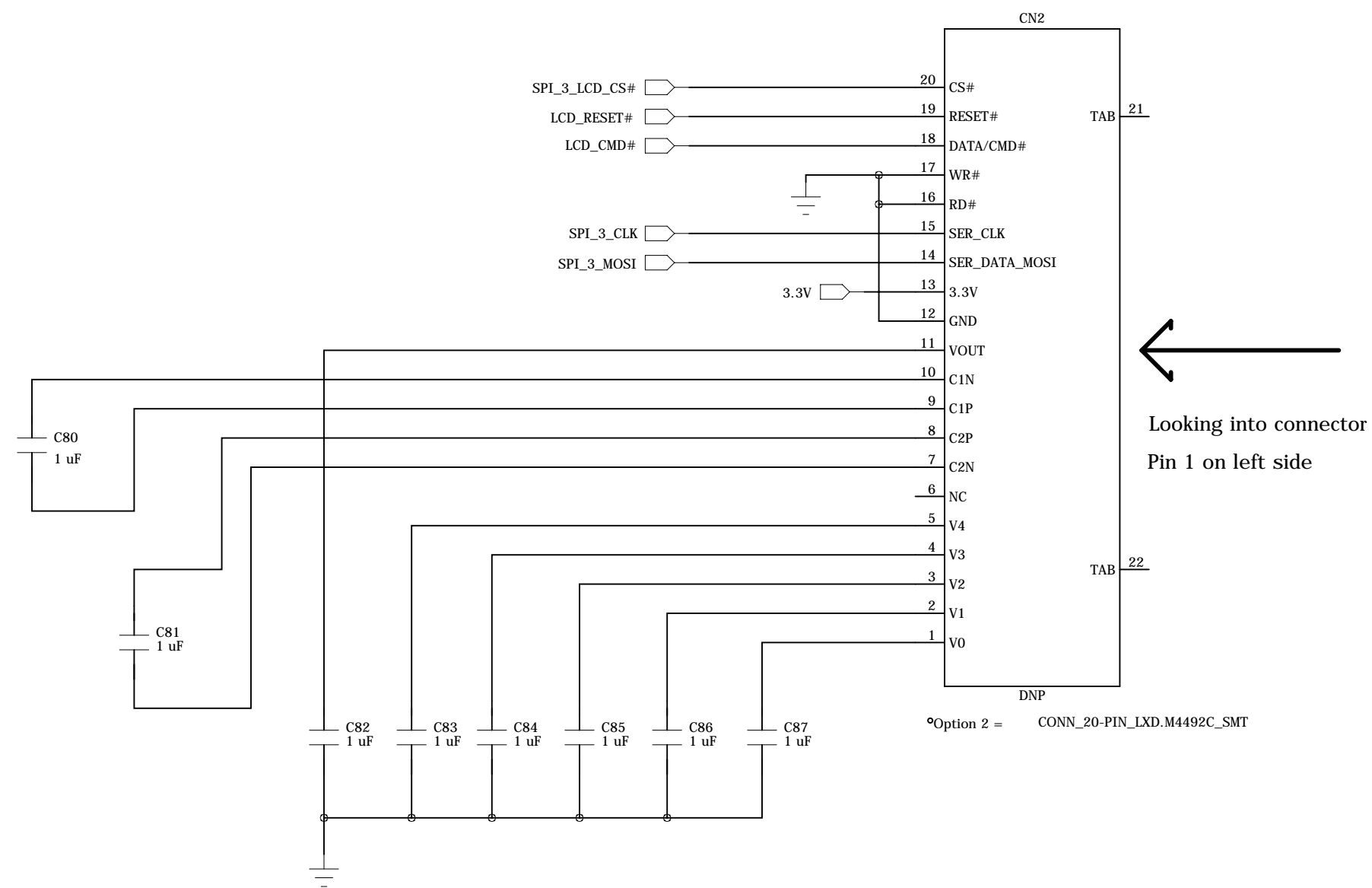
NimbeLink Socket Switched Power



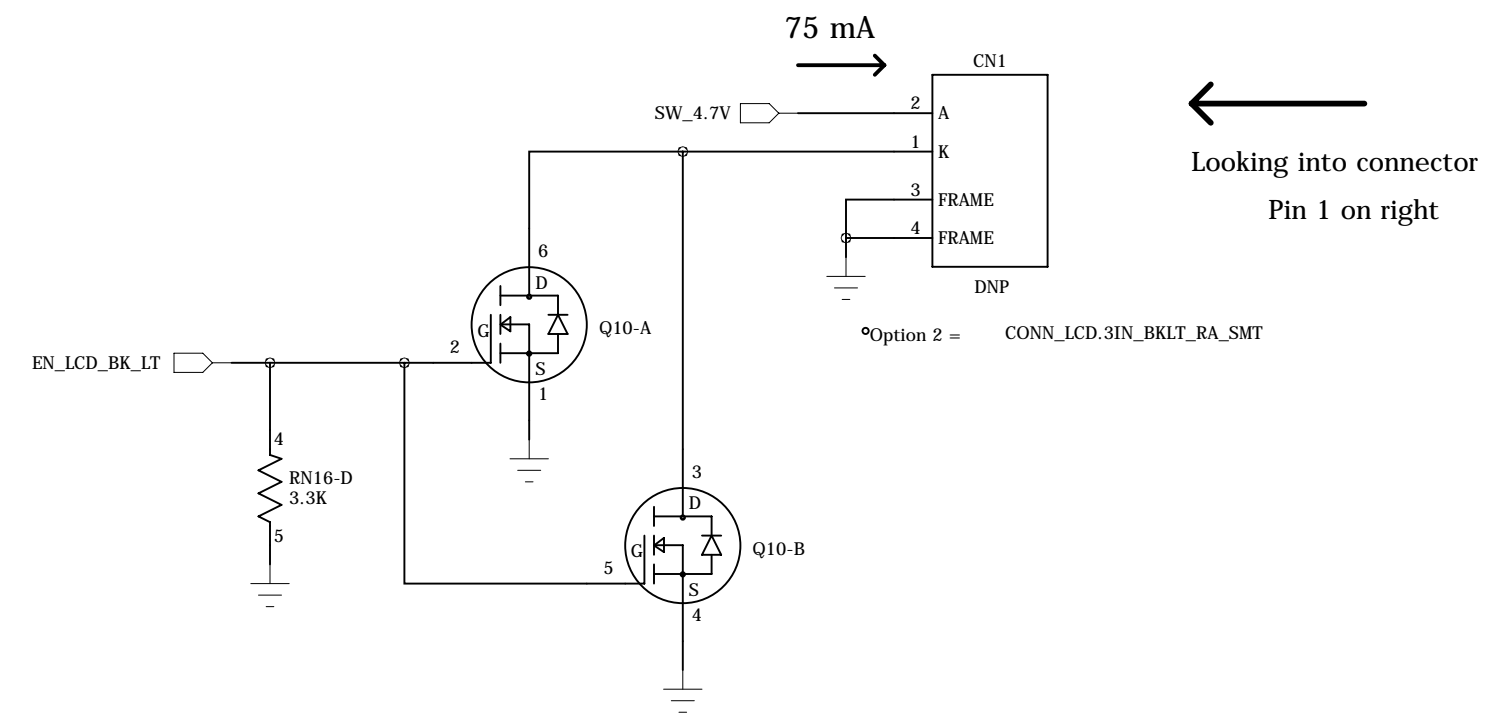
Red - Green LEDs



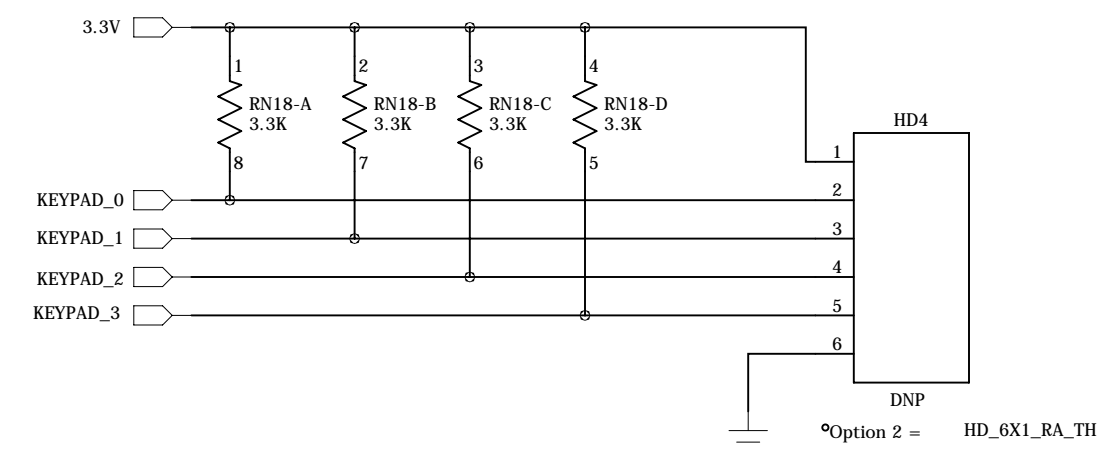
Monochrome 128 x 64 LCD Conn.



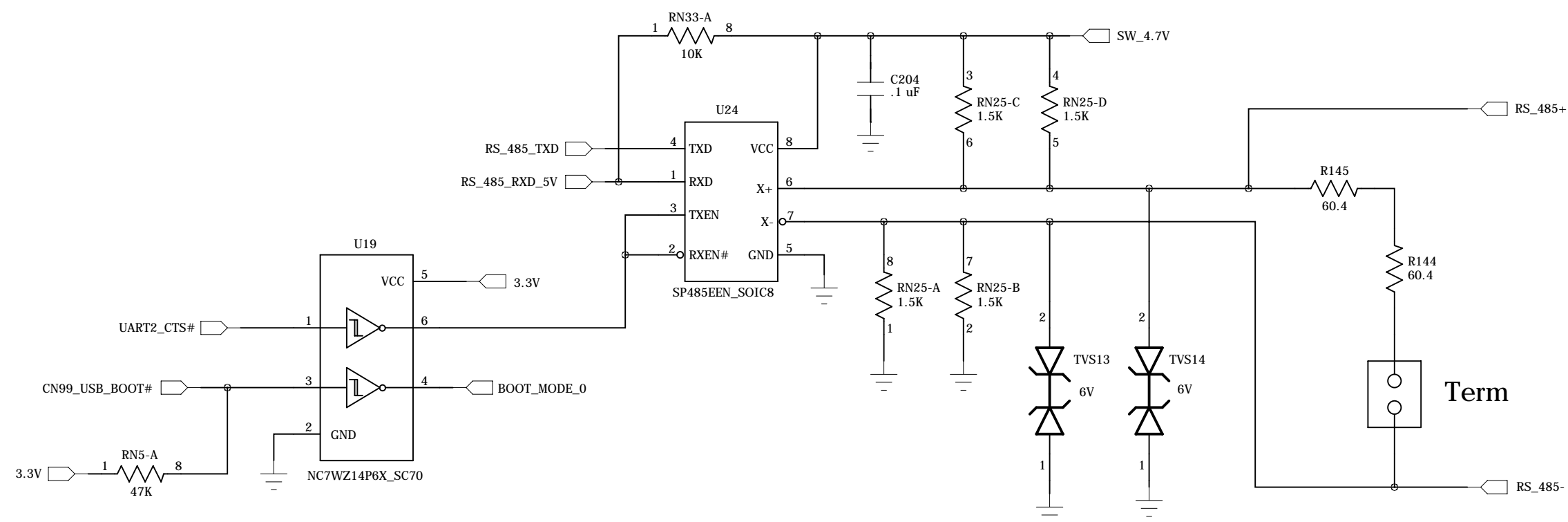
LCD Back Light Connector



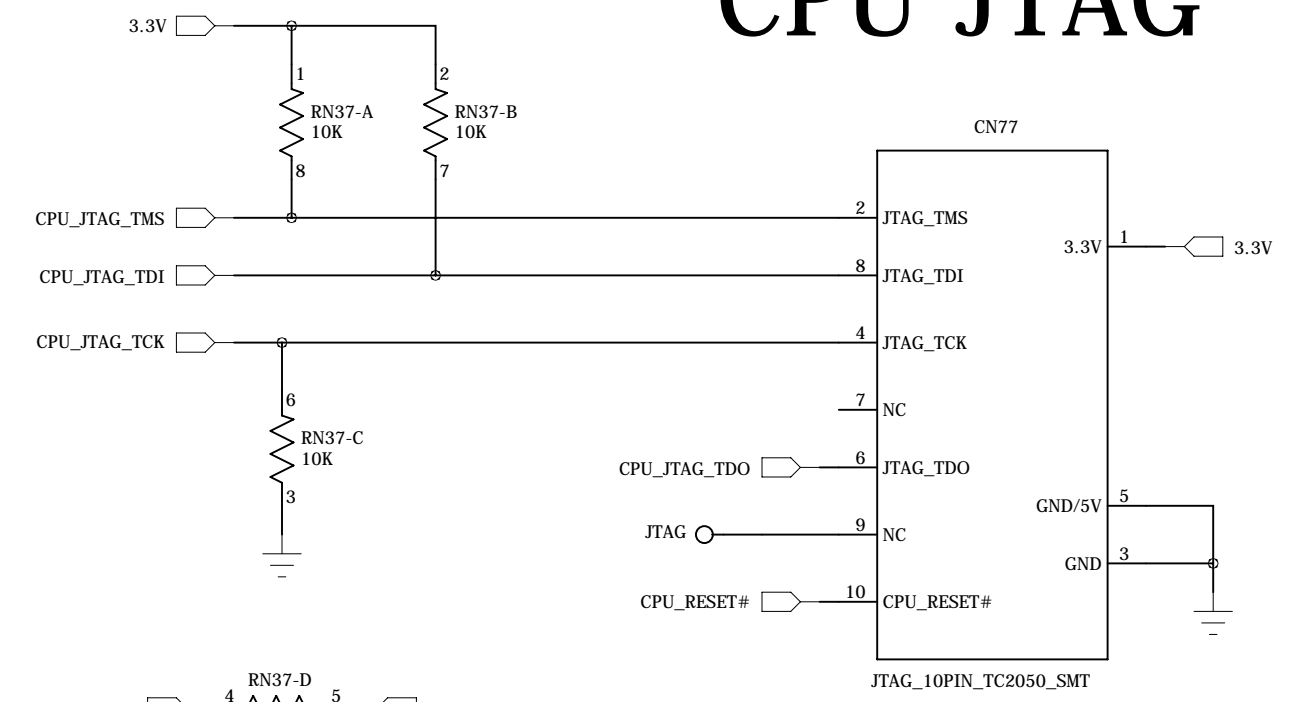
Membrane Switches



RS-485 Driver



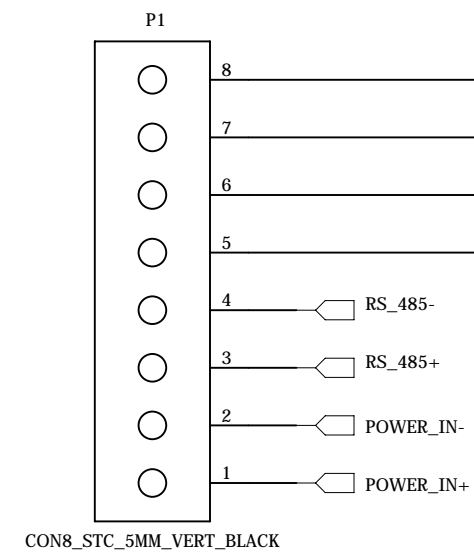
CPU JTAG



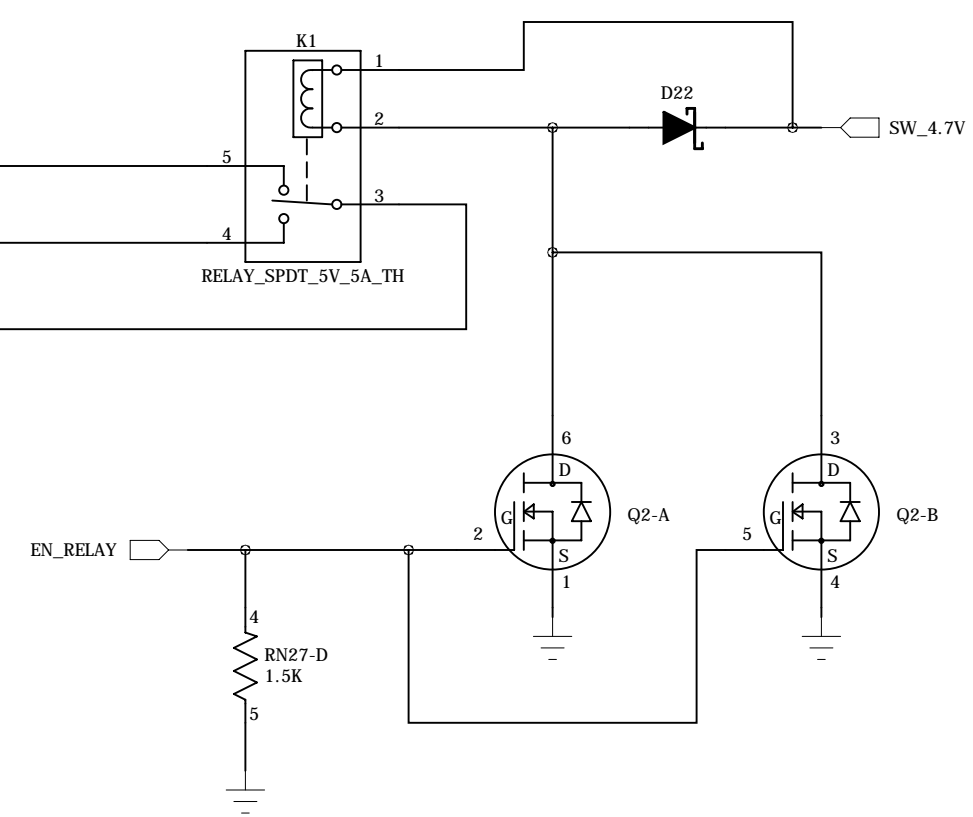
Tag-Connect

Screw Term.

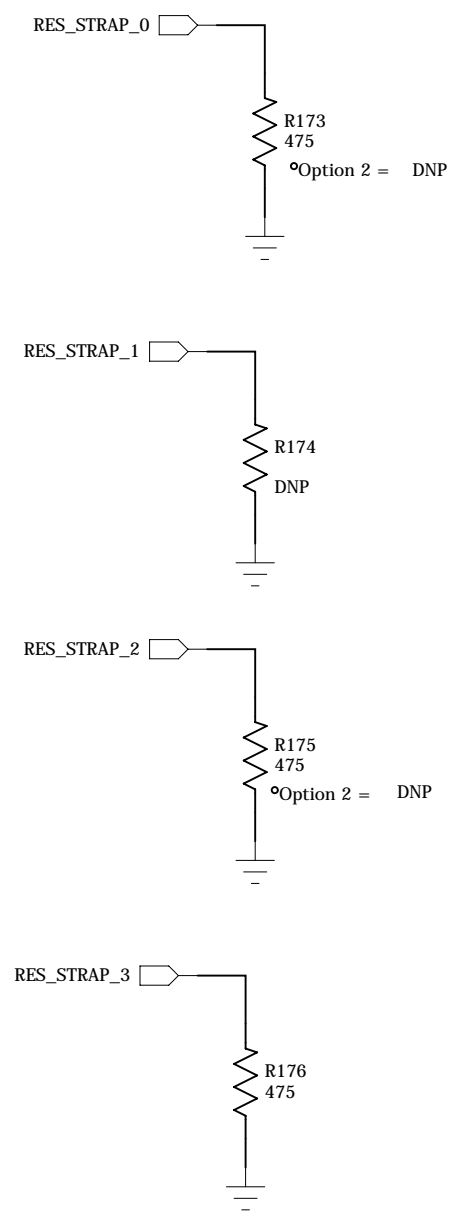
Conn.



Relay

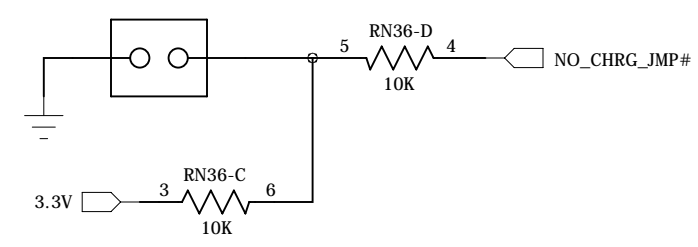


Resistor Straps

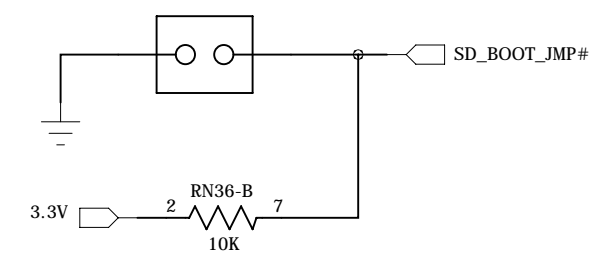


Resistor Strapping Table					0 = POP, 1 = DNP	
R176	R175	R174	R173			
0	0	1	0	Option 1	TS-7553-V2-SMN2I	
0	1	1	1	Option 2	TS-7553-V2-SMW7I	
MSB		LSB				

No Chrg Jumper



Boot to SD



U-Boot Stop

