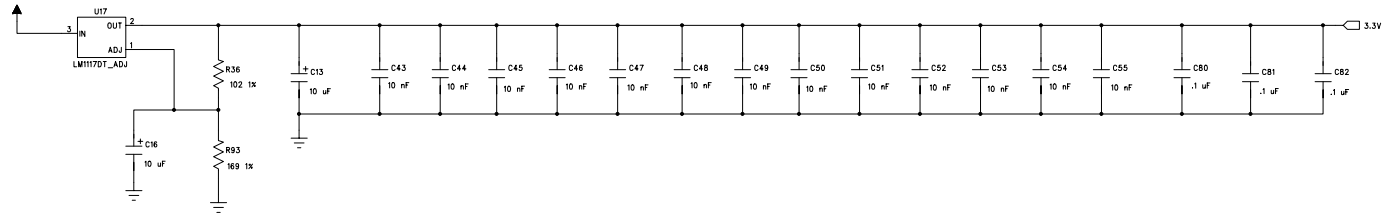
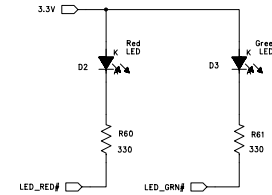
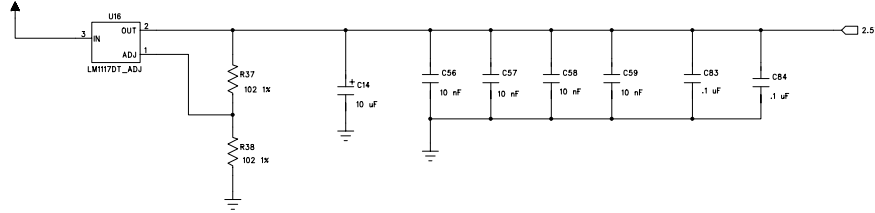


3.3V Power Supply

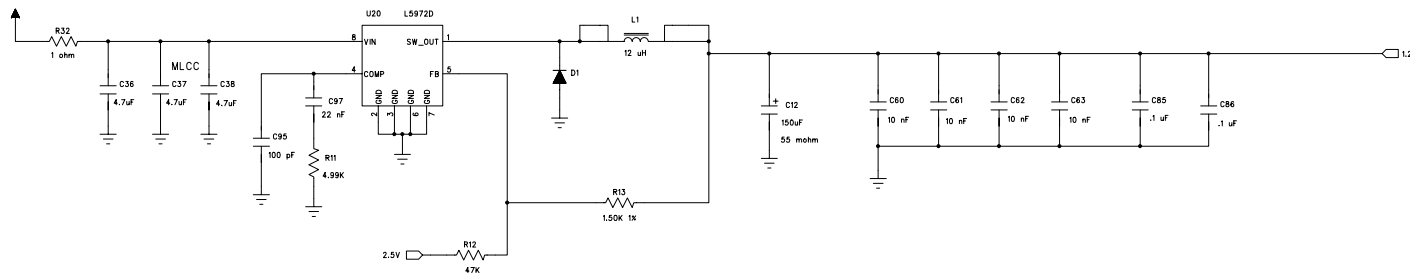


2.5V Power Supply

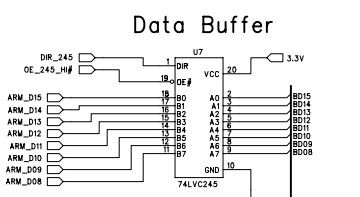
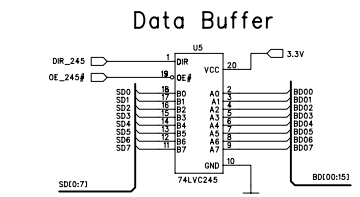
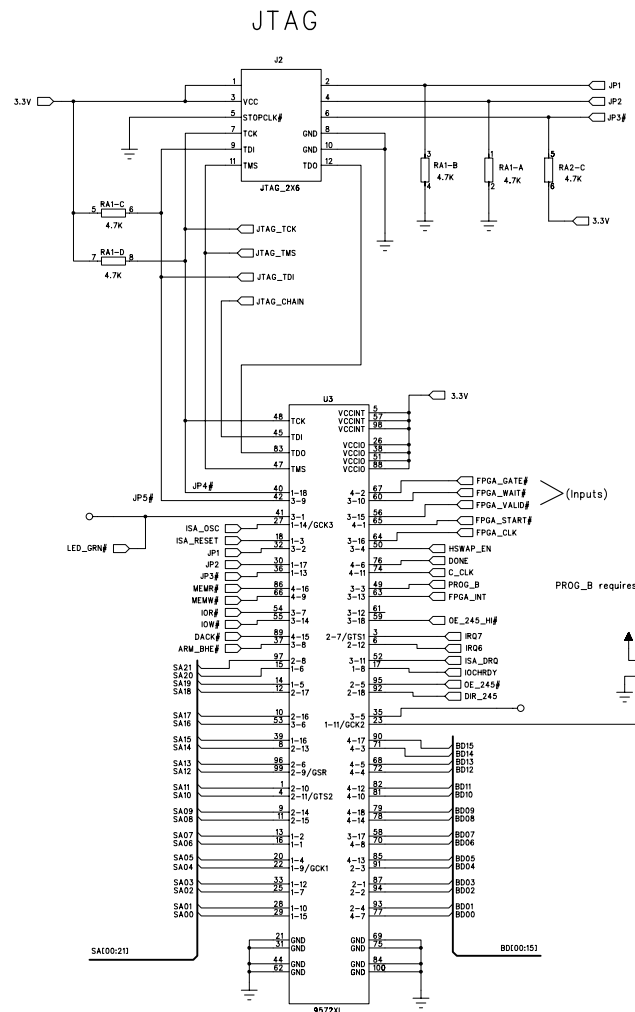
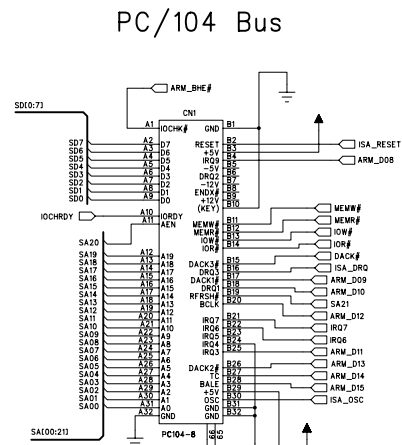


Switching Regulator

1.2V Power Supply

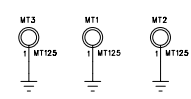


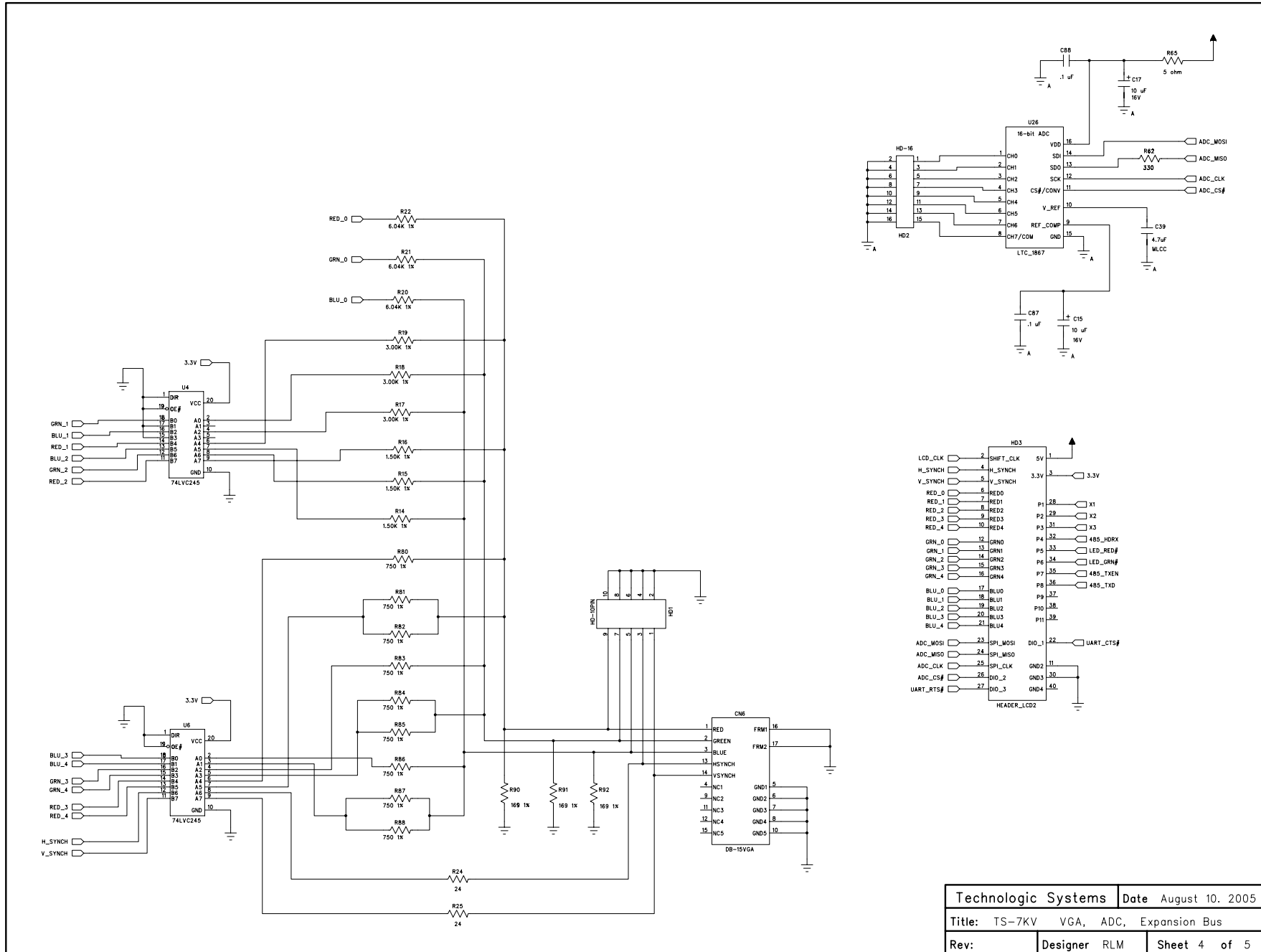
Technologic Systems	Date August 10, 2005
Title: TS-7KV Power Supplies, LEDs	
Rev:	Designer RLM Sheet 3 of 5



B00-B07 must connect to FPGA D0-D7
 B08 must connect to FPGA CS_B
 B09 must connect to FPGA RDWR_B
 B10 must connect to FPGA INIT_B
 B11 must connect to FPGA BUSY/DOUT

INIT_B is open-drain and requires a PU Resistor





Technologic Systems	Date August 10, 2005
Title: TS-7KV VGA, ADC, Expansion Bus	
Rev:	Designer RLM Sheet 4 of 5

