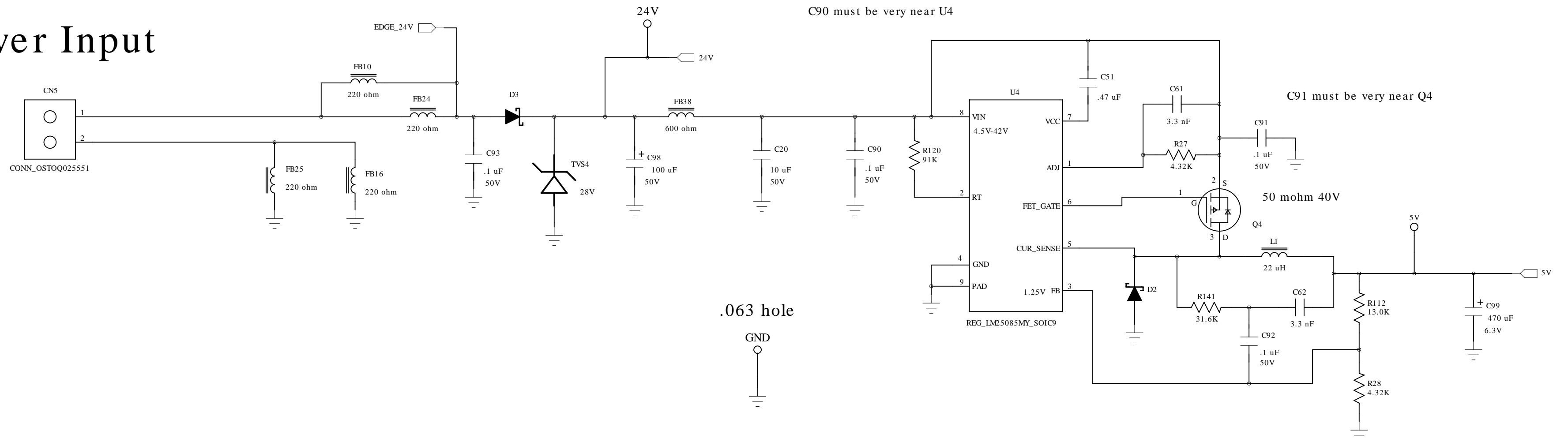
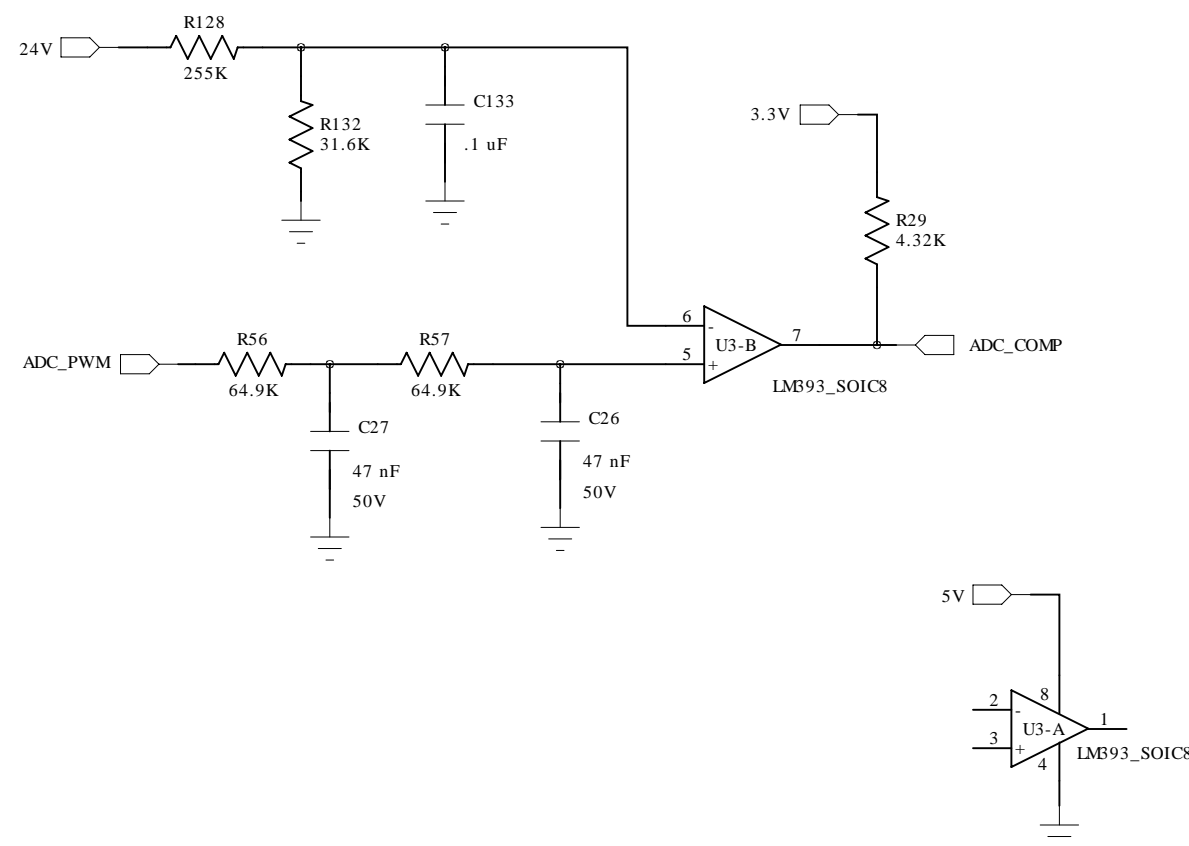


5V Power Supply (2.0 Amps)

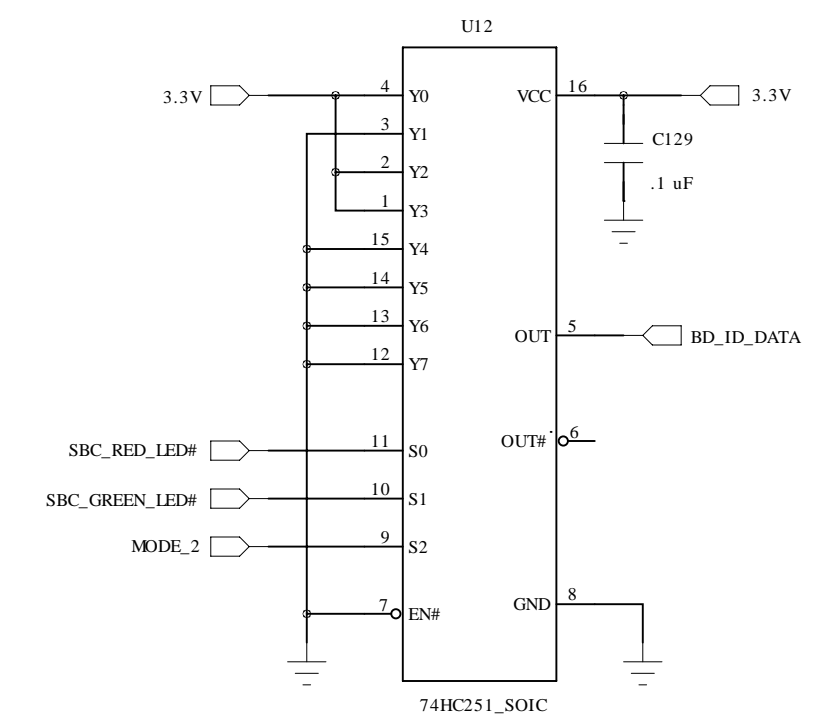
20-28 VDC
Power Input



A/D Converter



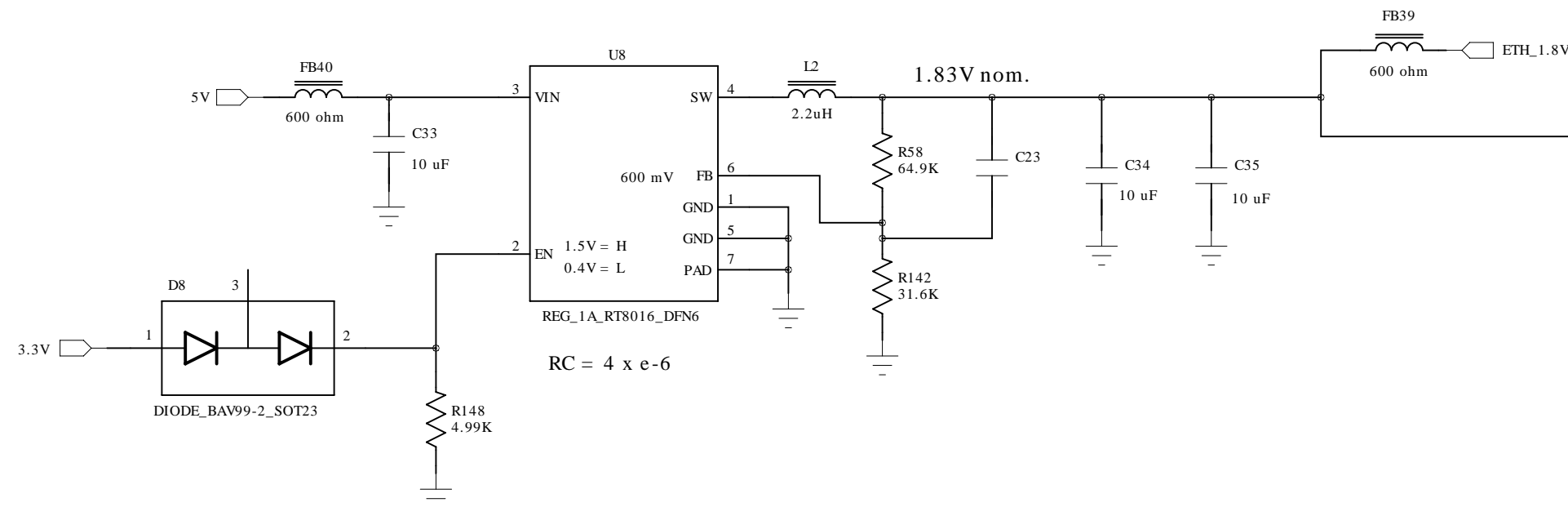
Board ID = 13



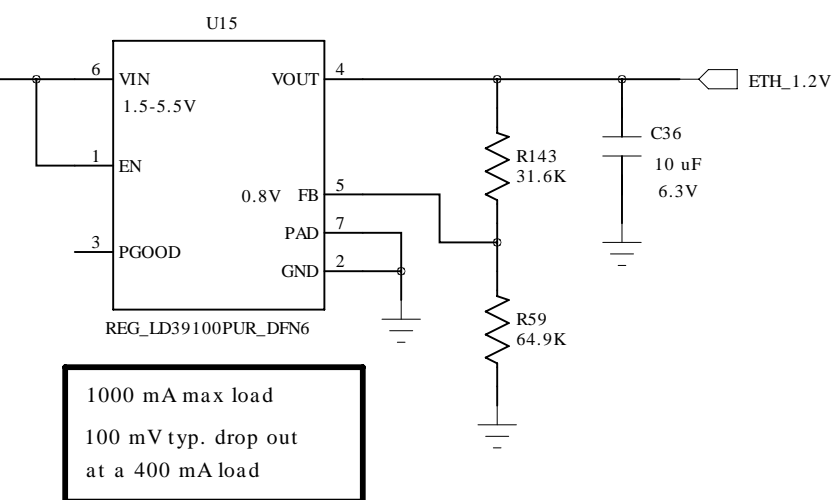
74AC151, 74AC251, 74HC151
are 2nd sources in SOIC

Technologic Systems	Date: Nov. 10, 2012
Title: TS-8700 5V Power, ADC, Bd. ID	
Rev: B	Designer
Sheet 1 of 9	

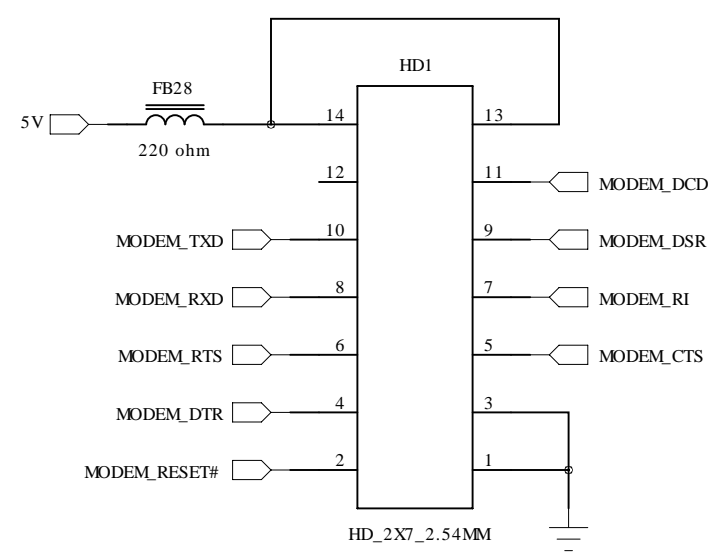
Ethernet 1.8V Regulator



Ethernet 1.2V Reg.

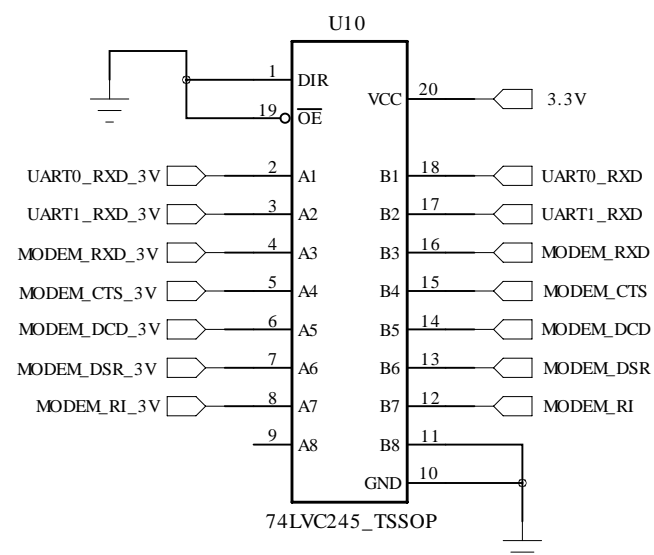


Cell Modem Interface

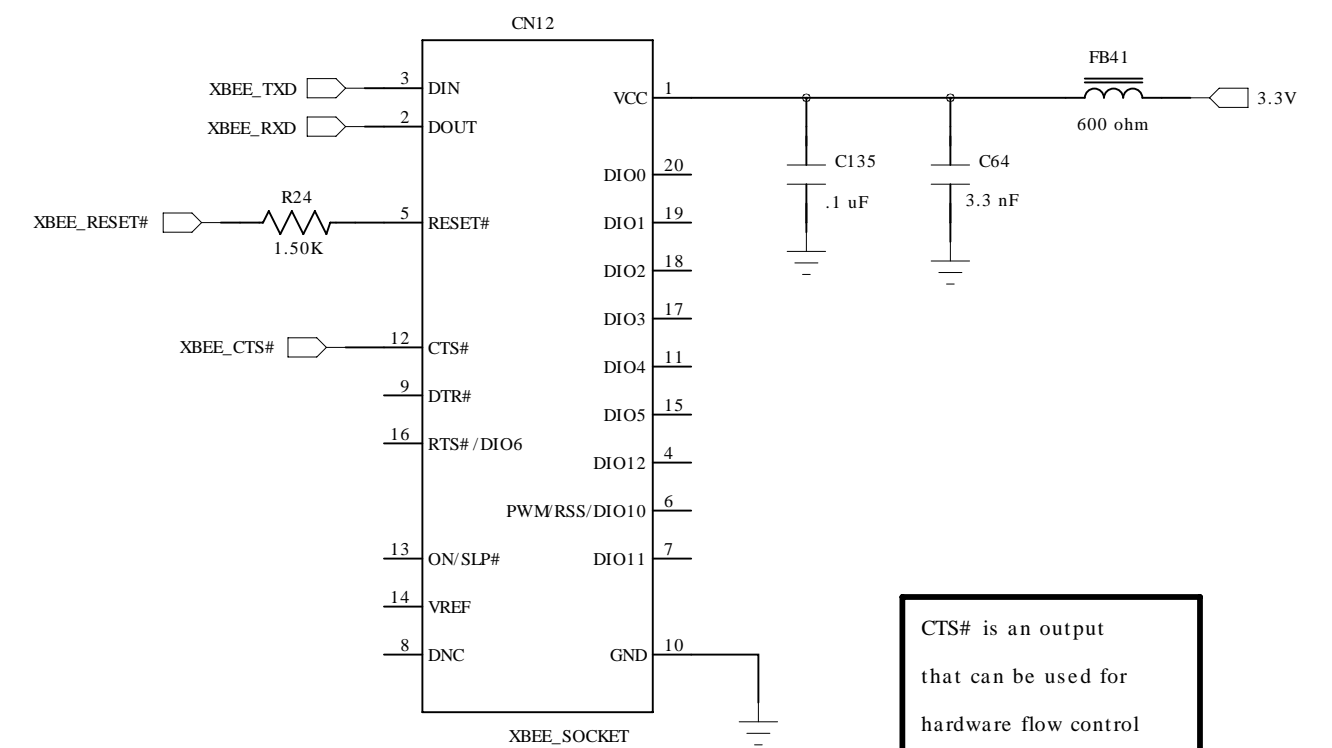


Level shifter

3.3V ← 5V



Digi/MaxStream XBee Radio



CTS# is an output that can be used for hardware flow control

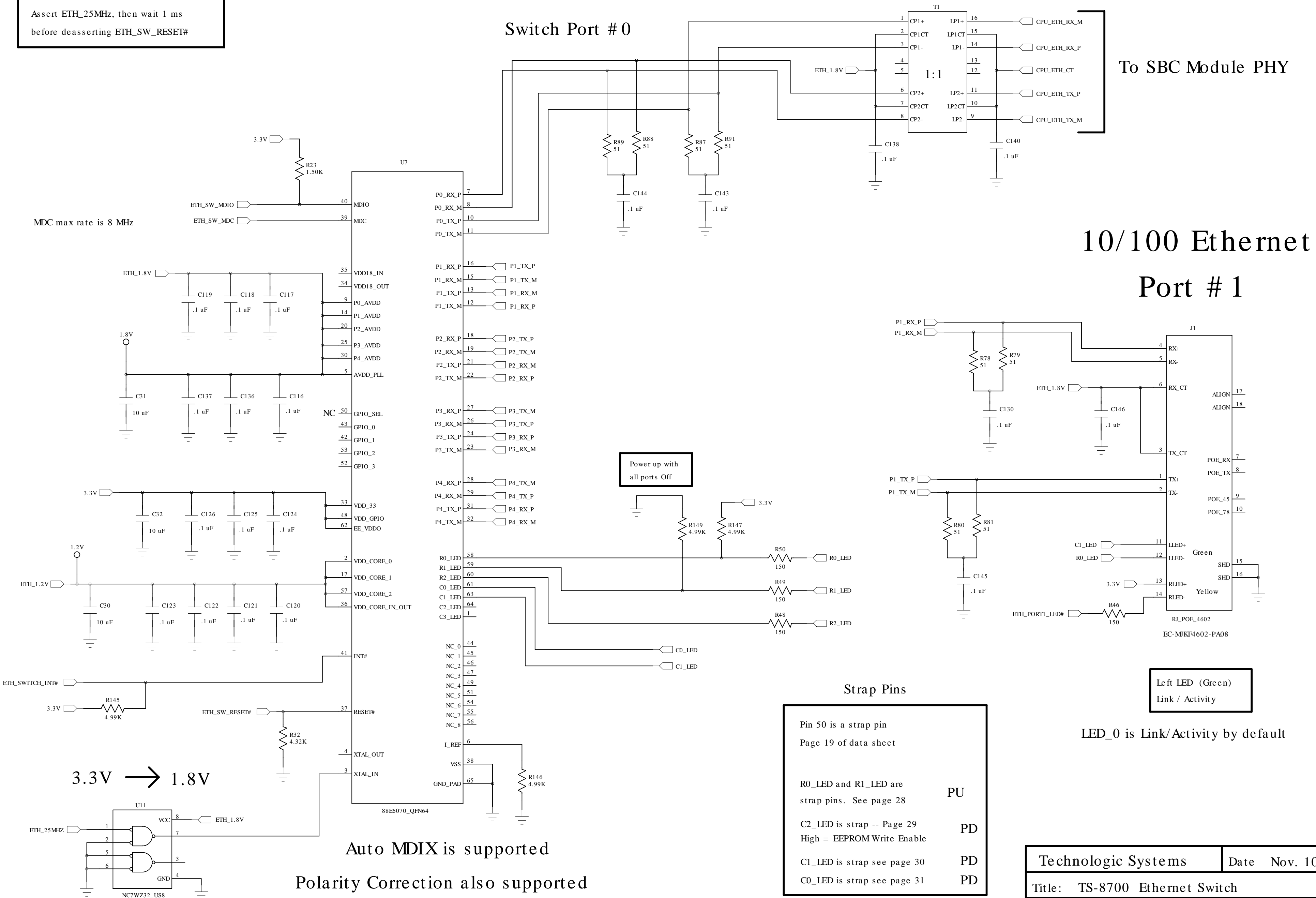
Reset# must be driven with Open drain

Baud rates up to 230.4K supported

10/100 Ethernet 5-Port Switch

Assert ETH_25MHz, then wait 1 ms
before deasserting ETH_SW_RESET#

Switch Port # 0



To SBC Module PHY

10/100 Ethernet Port # 1

Power up with
all ports Off

Strap Pins

Pin 50 is a strap pin
Page 19 of data sheet

R0_LED and R1_LED are
strap pins. See page 28

C2_LED is strap -- Page 29
High = EEPROM Write Enable

C1_LED is strap see page 30

C0_LED is strap see page 31

PU
PD
PD
PD

Left LED (Green)
Link / Activity

LED_0 is Link/Activity by default

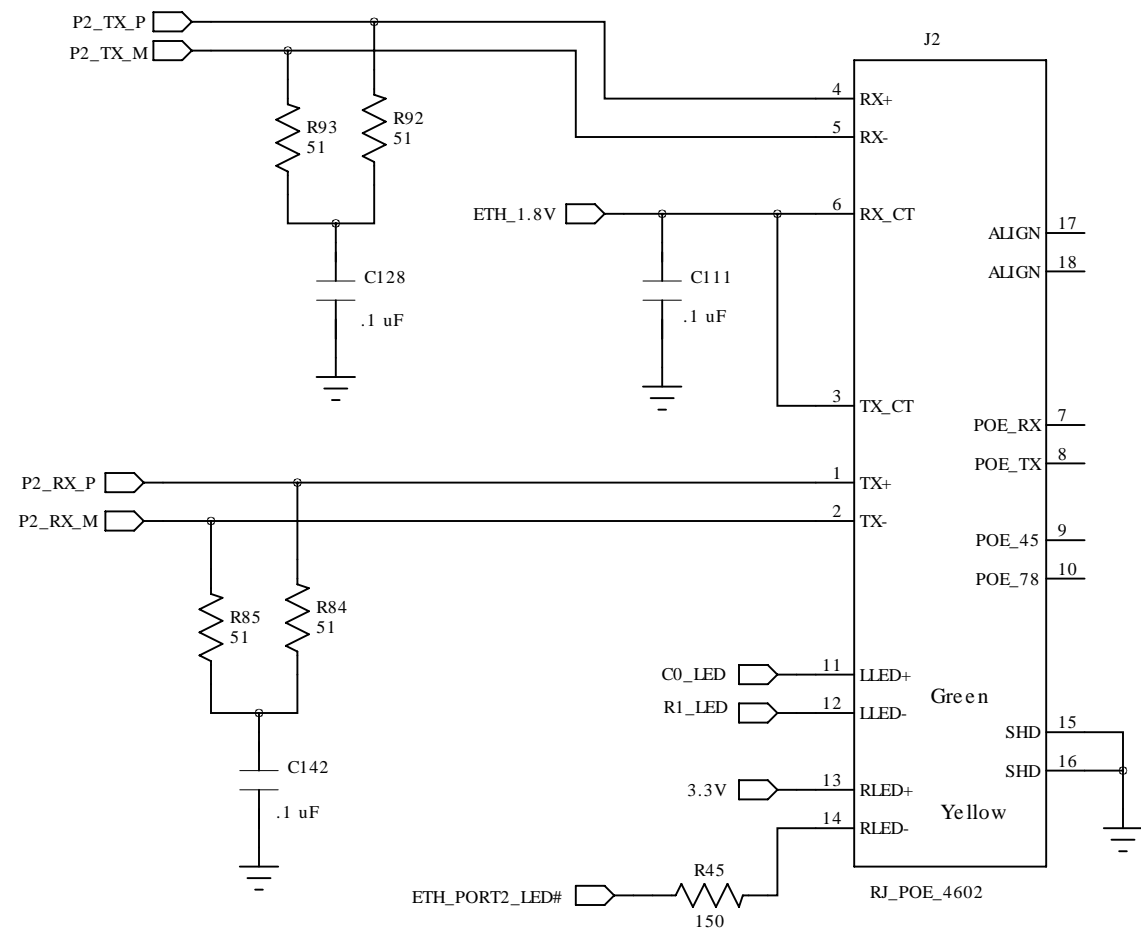
Auto MDIX is supported
Polarity Correction also supported

It appears all default to good state

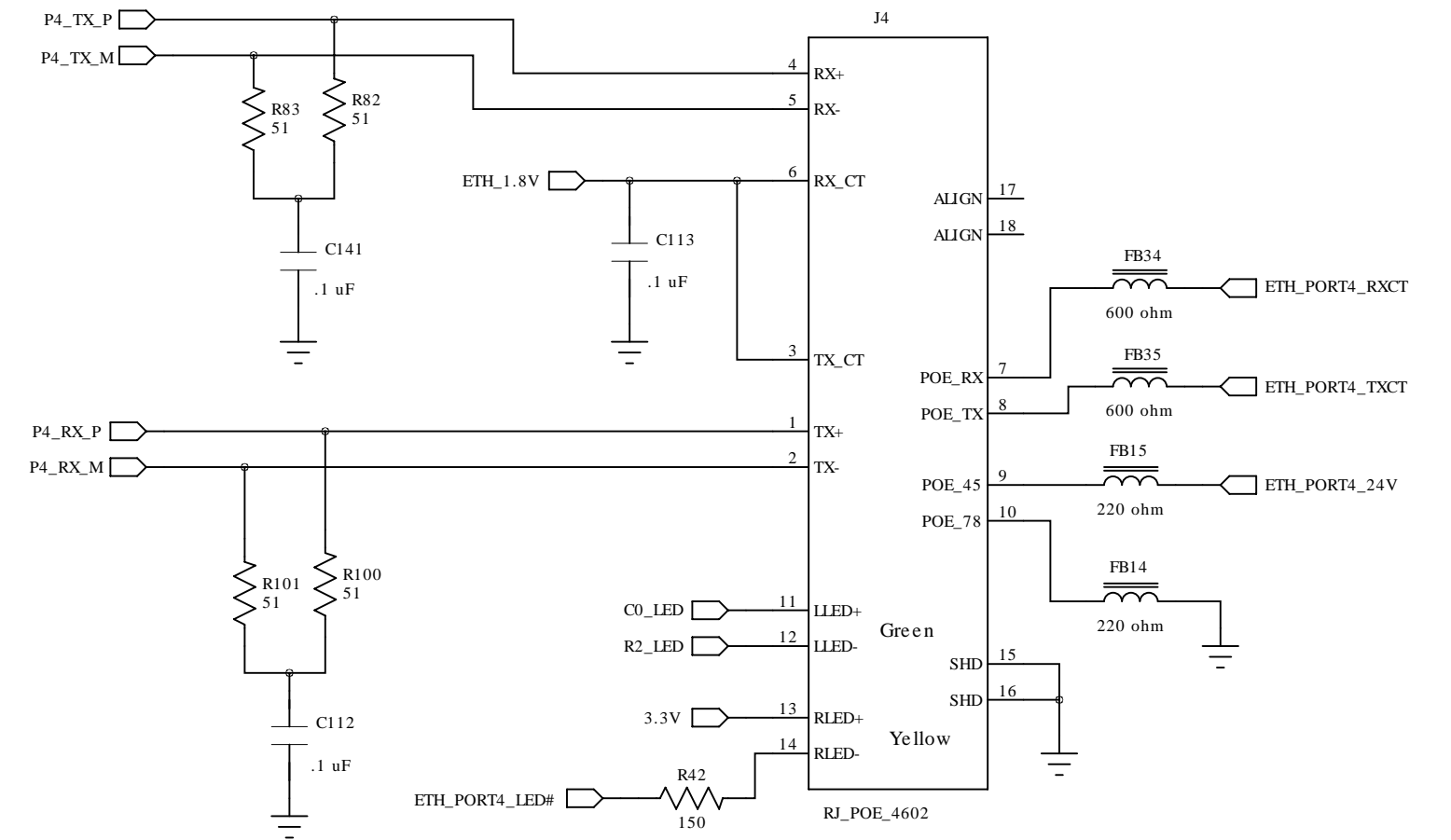
Technologic Systems	Date Nov. 10, 2012
Title: TS-8700 Ethernet Switch	
Rev: B	Designer
Sheet 3	of 9

Ethernet Ports

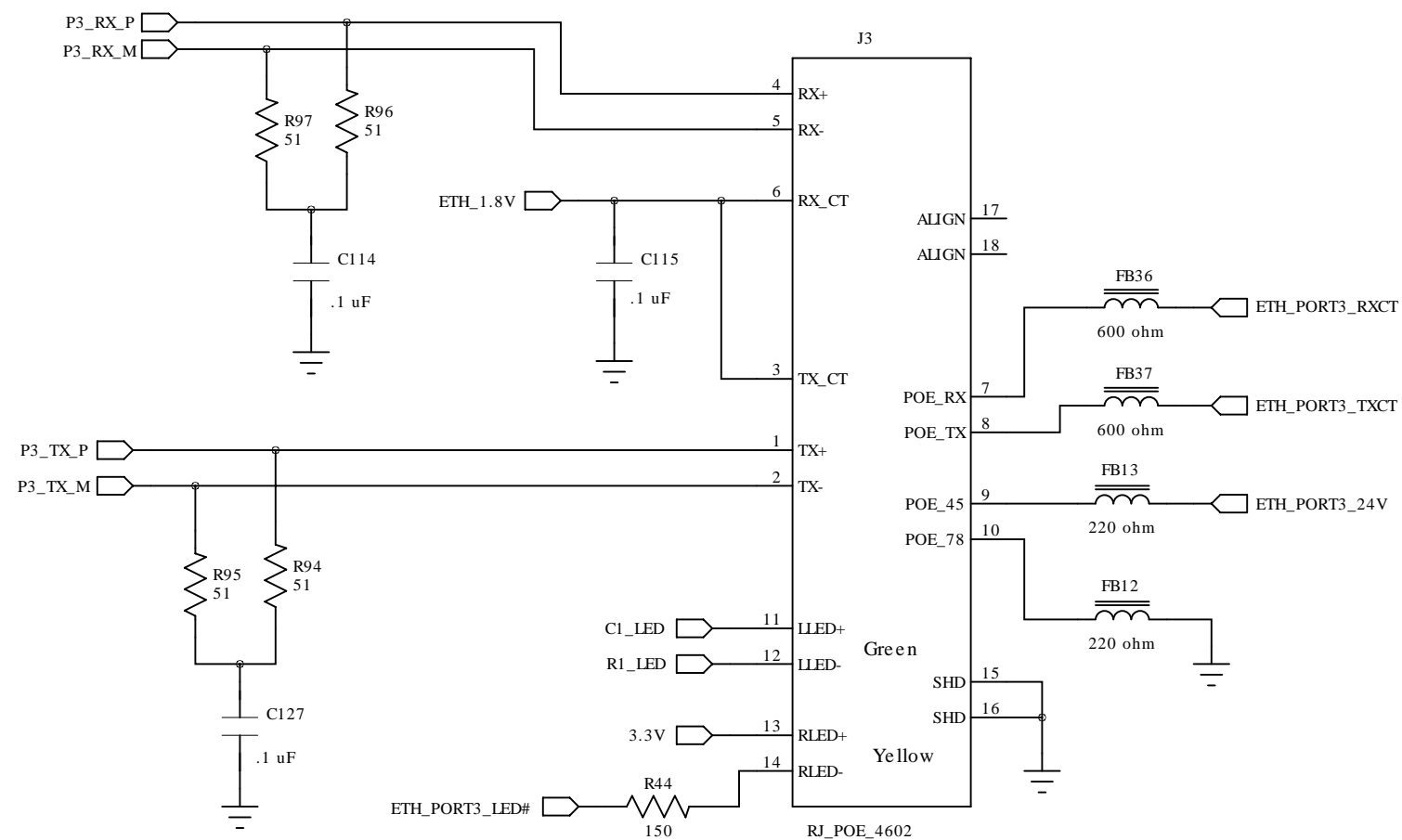
Port # 2



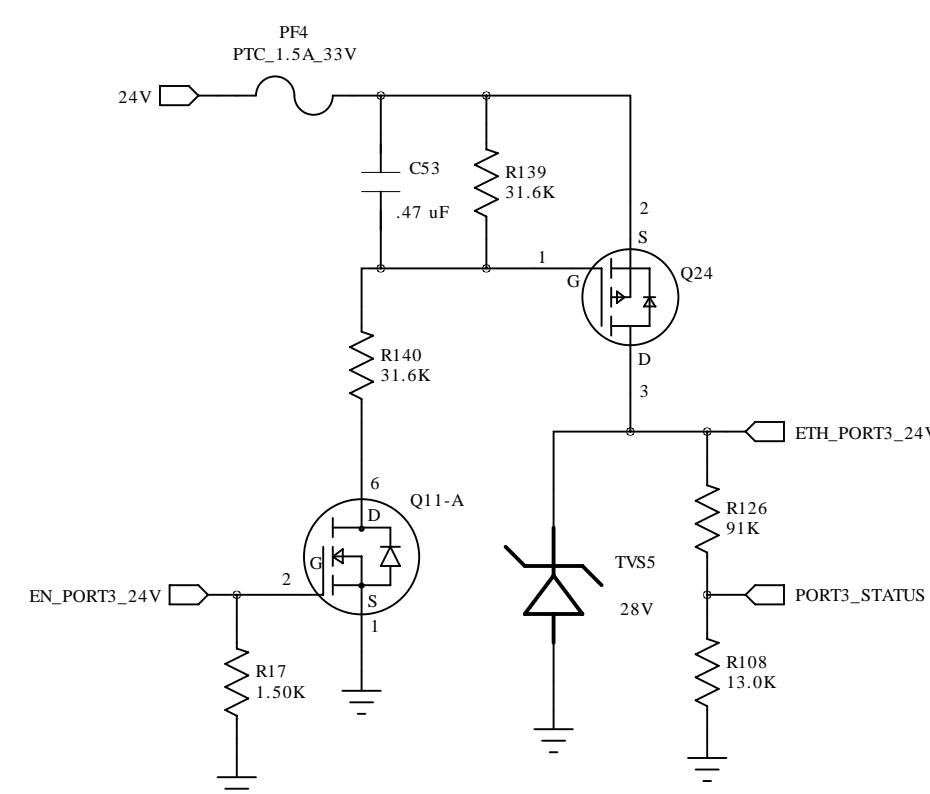
Port # 4



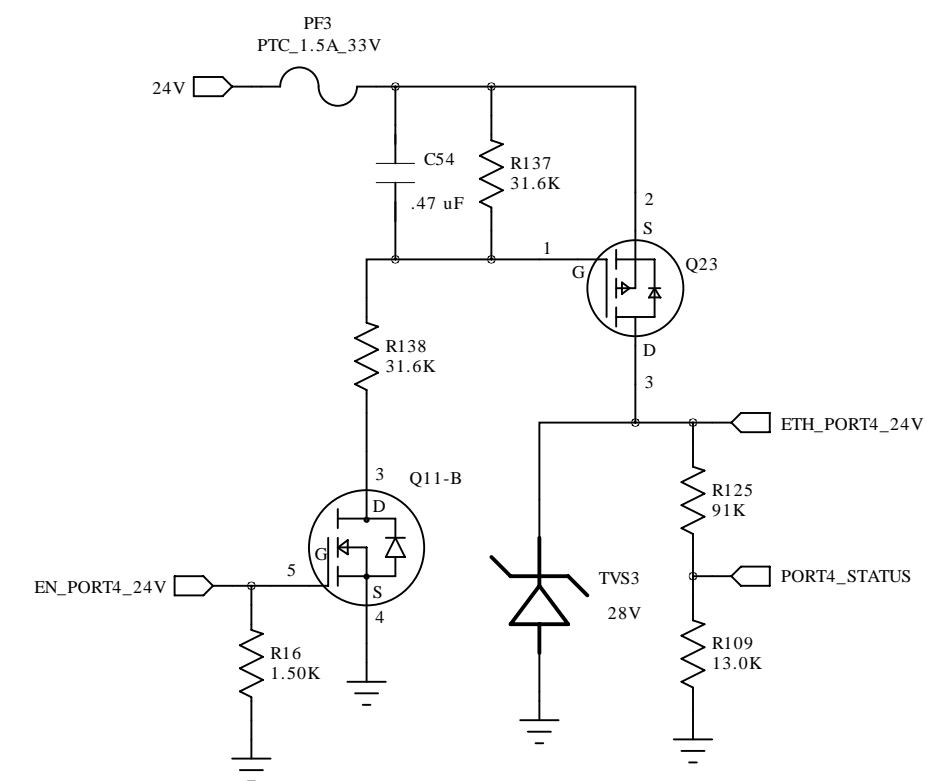
Port # 3



Port 3 Power Switch



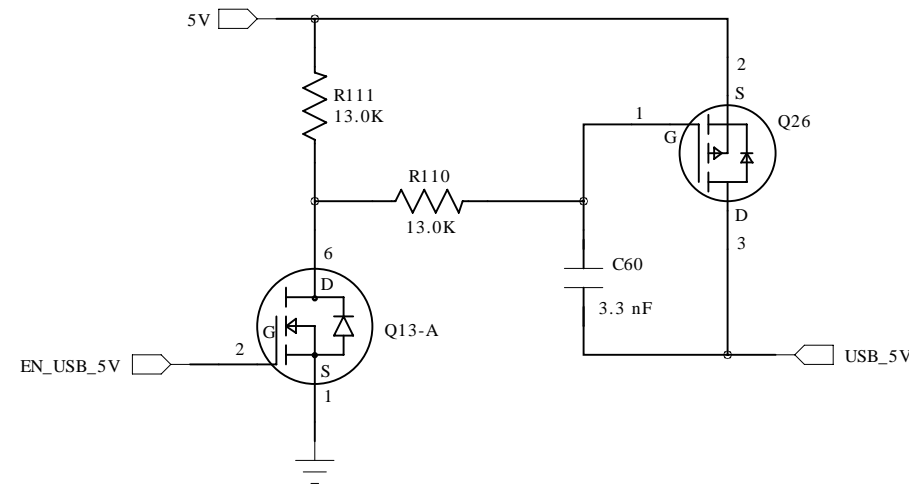
Port 4 Power Switch



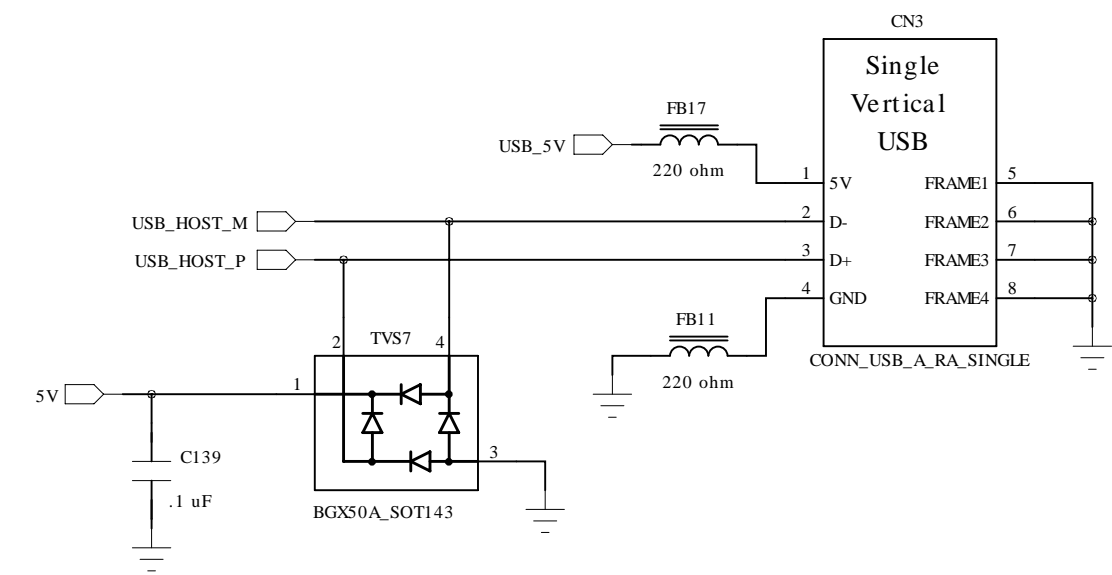
Technologic Systems		Date Nov. 10, 2012
Title: TS-8700 Ethernet Switch Ports		
Rev: B	Designer	Sheet 4 of 9

USB Ports

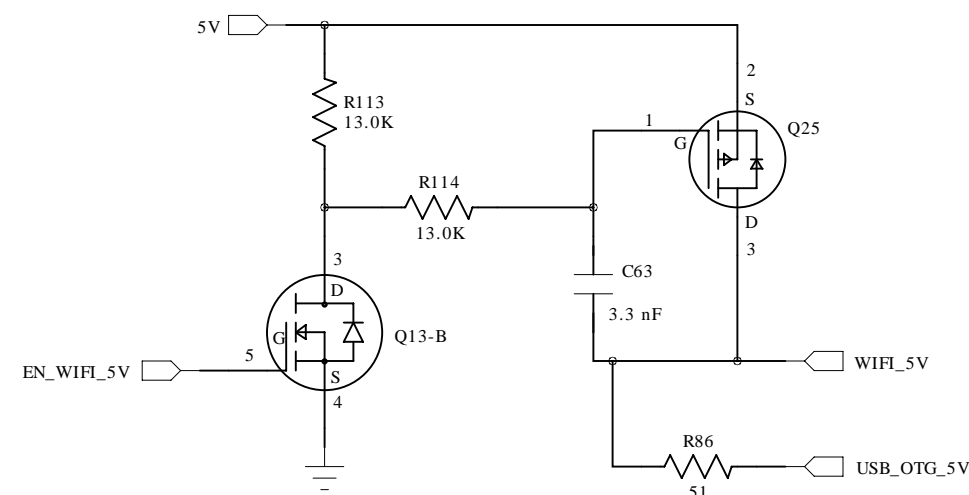
External USB Power Switch



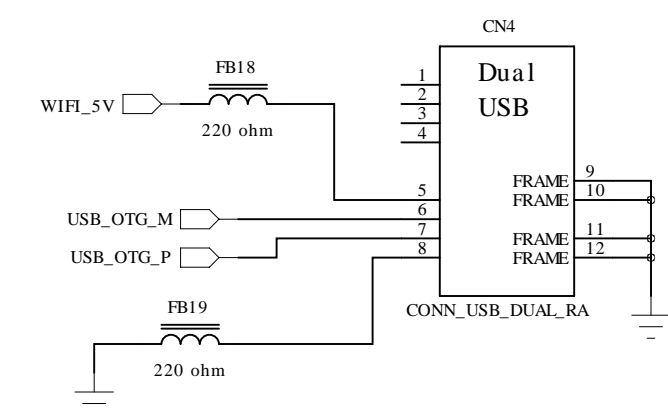
External USB Port



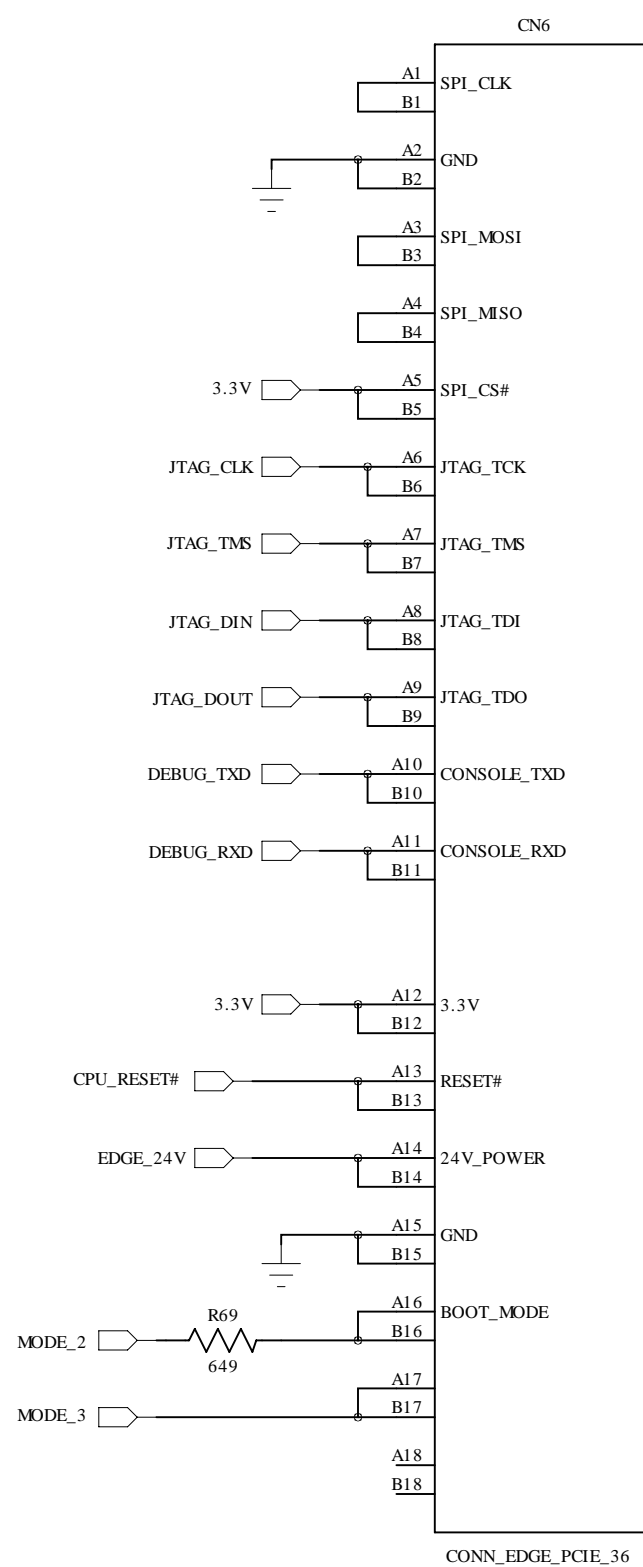
WiFi Power Switch



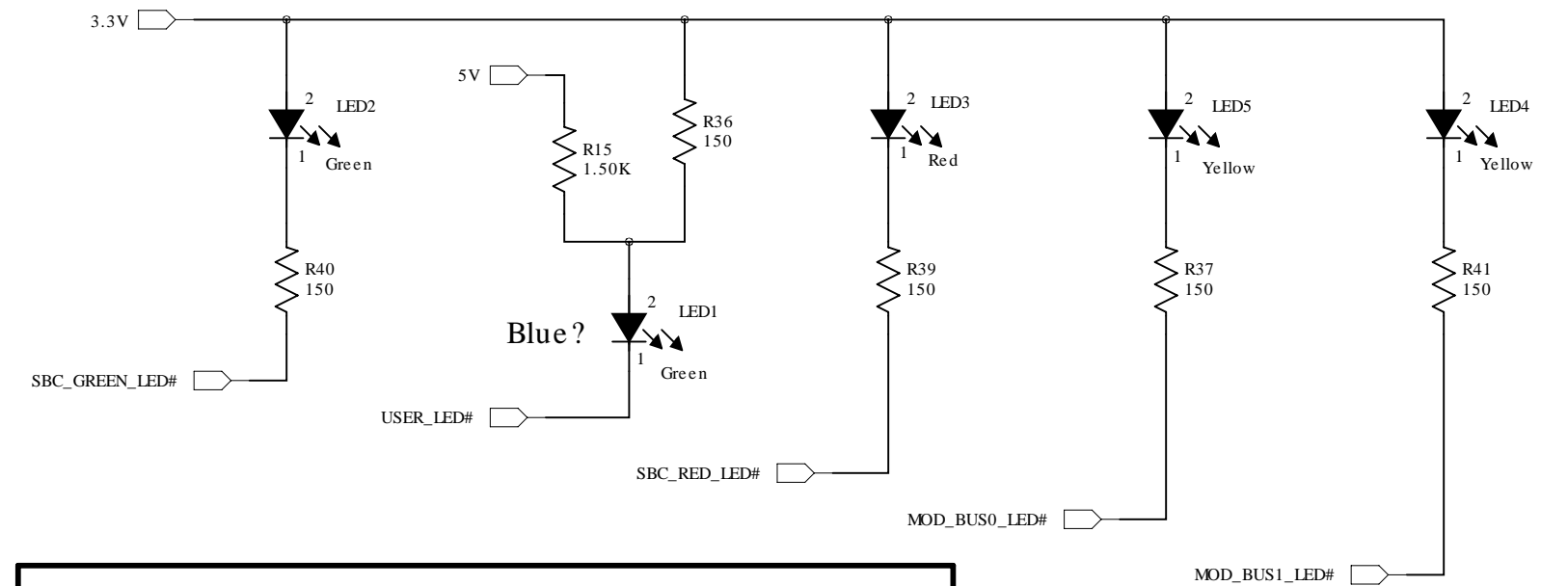
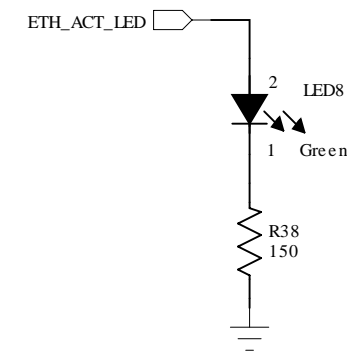
Internal WiFi USB Port



Console Edge Conn.

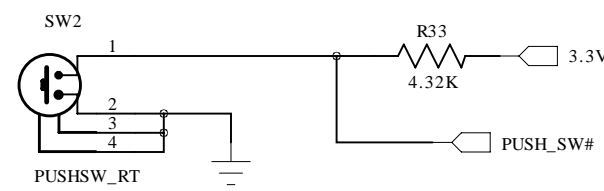


SMT RA LEDs

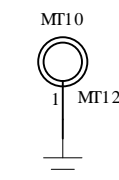
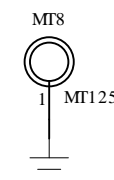
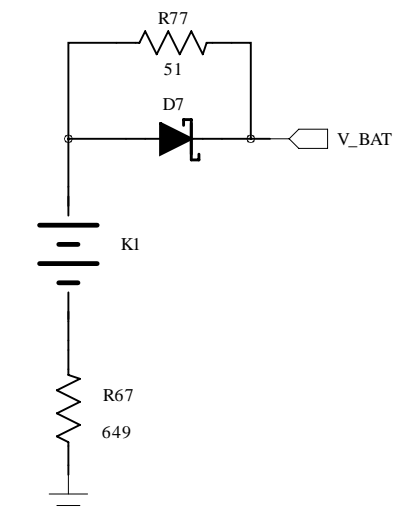


Either R36 or R15 is not populated

Push Switch



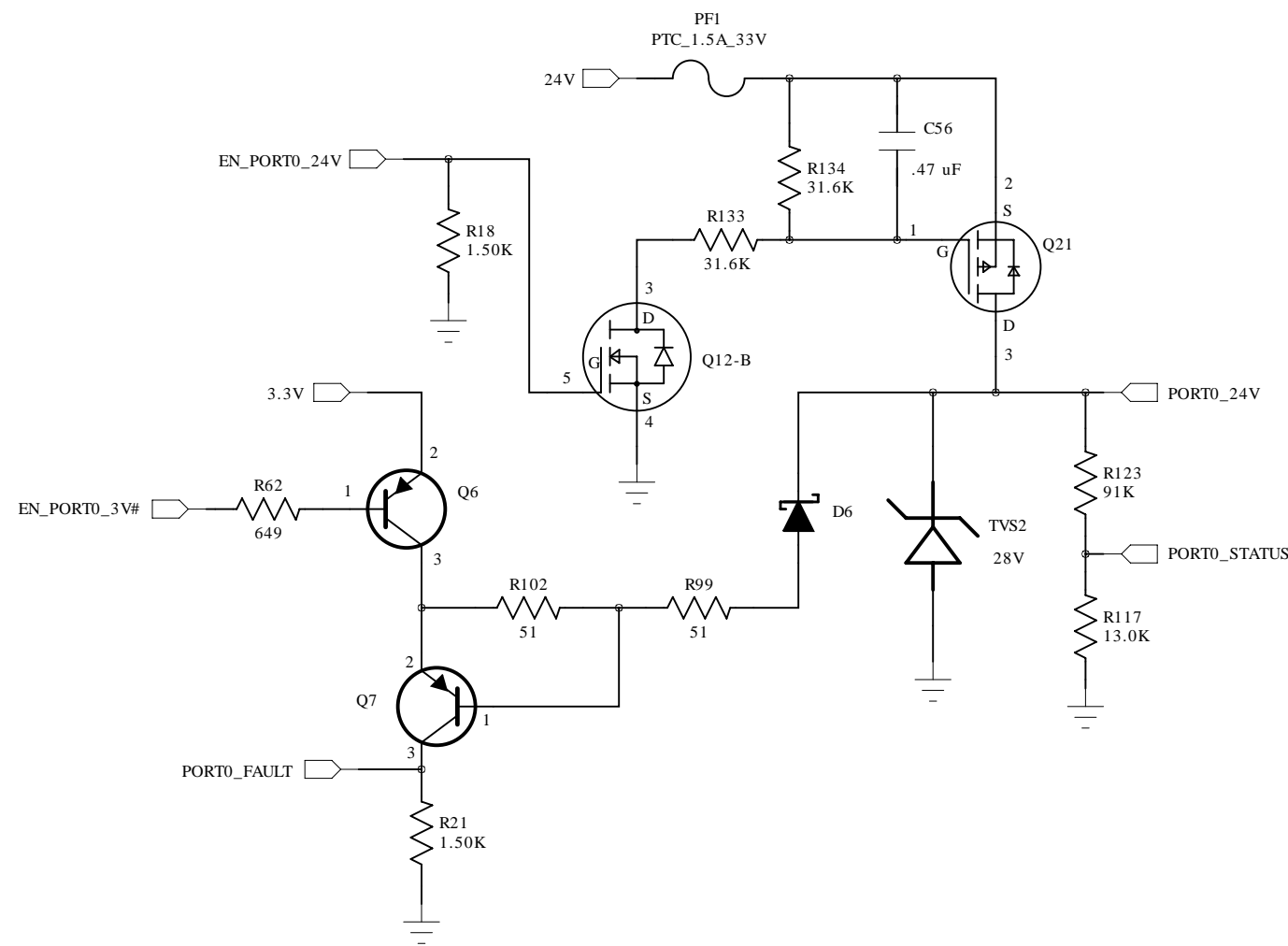
Battery for RTC



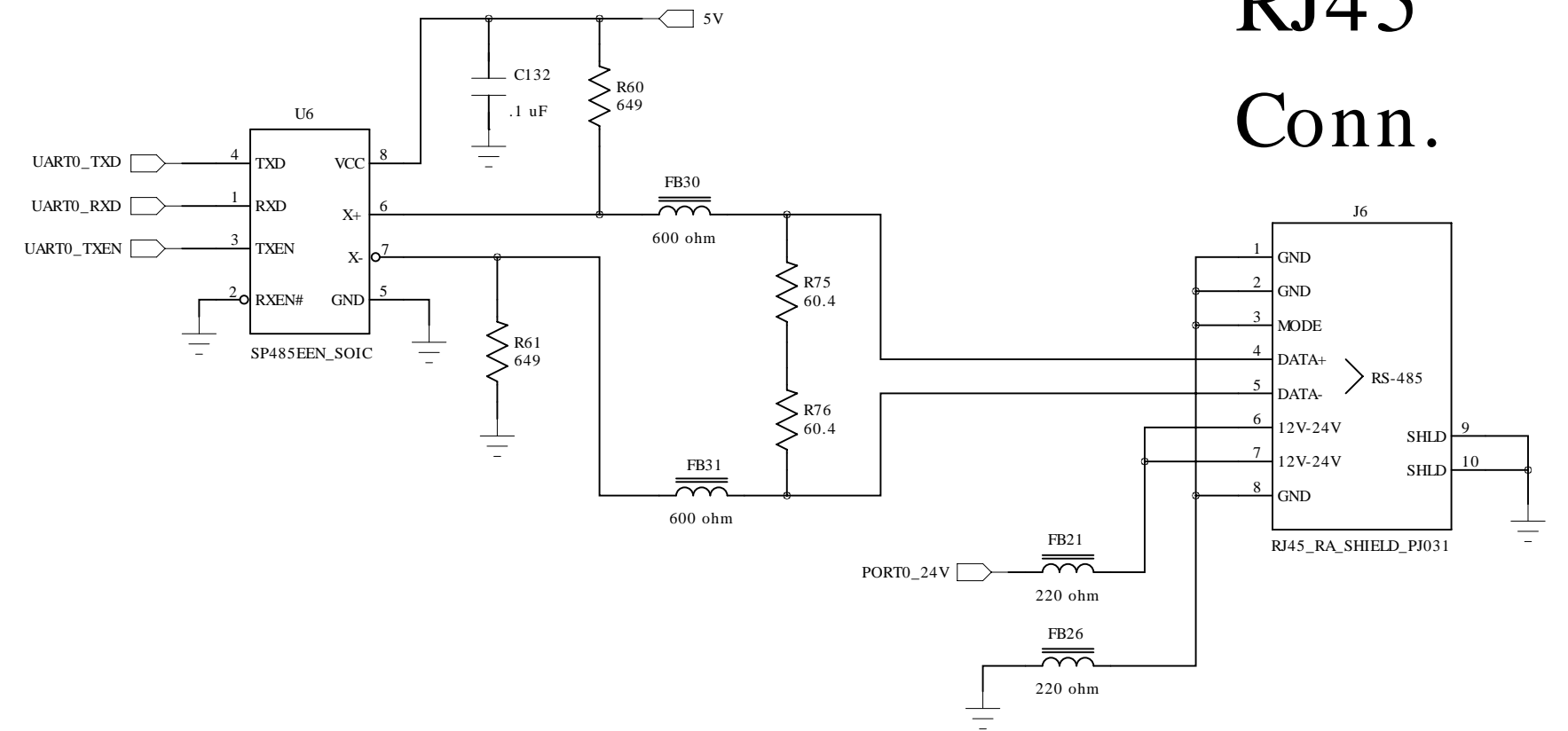
Technologic Systems	Date Nov. 10, 2012
Title: TS-8700 Battery, Console, LEDs	
Rev: B	Designer RLM Sheet 6 of 9

Mod Bus RS-485 Ports

Port 0 Power Switch

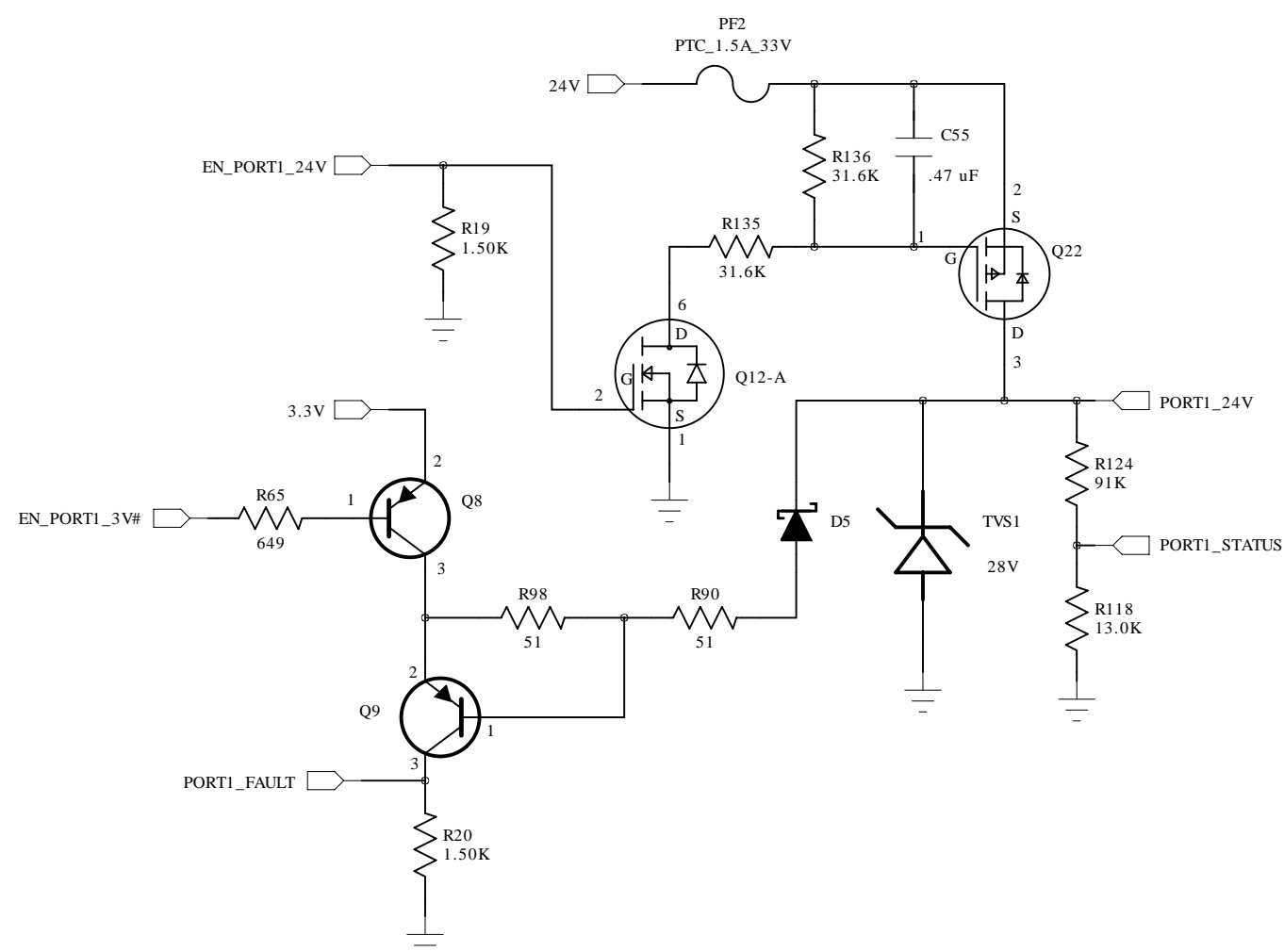


RS-485 Driver

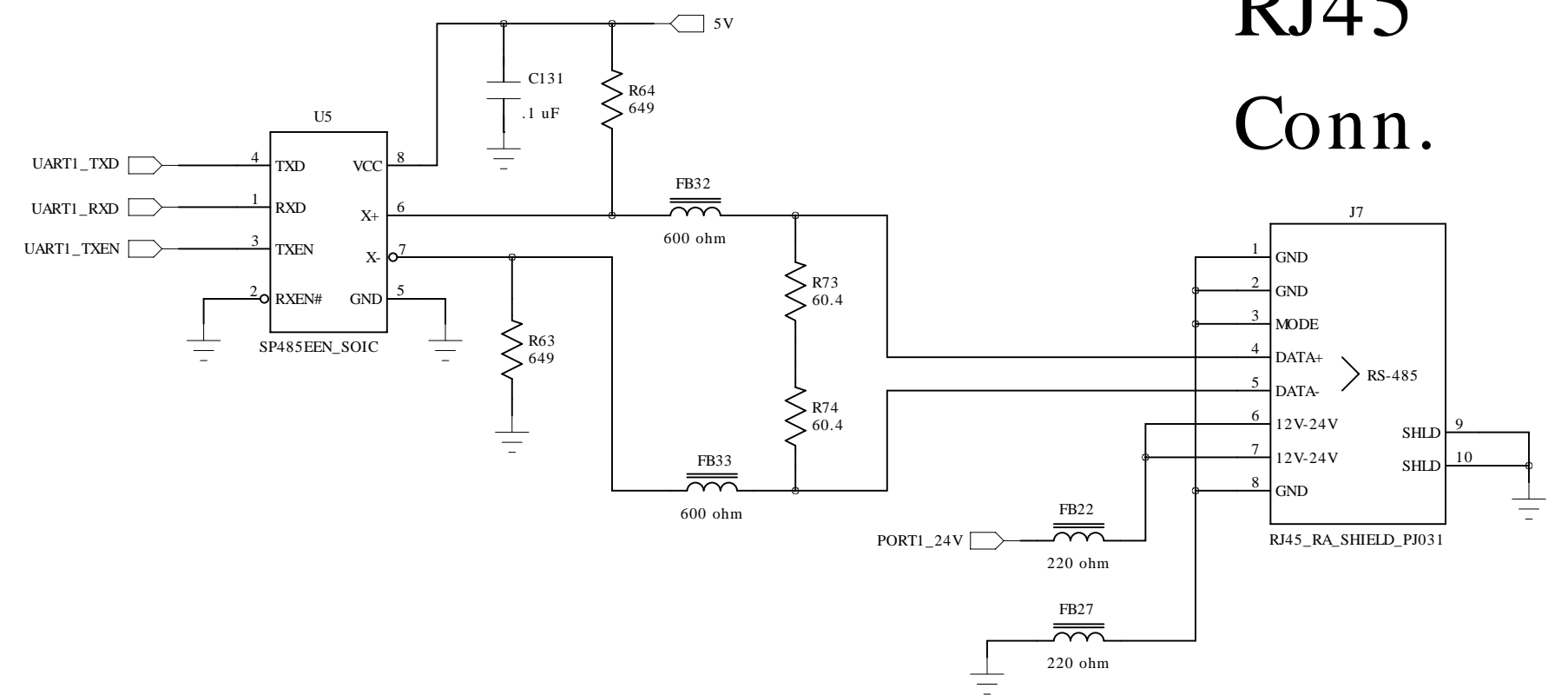


Port 0 RJ45 Conn.

Port 1 Power Switch



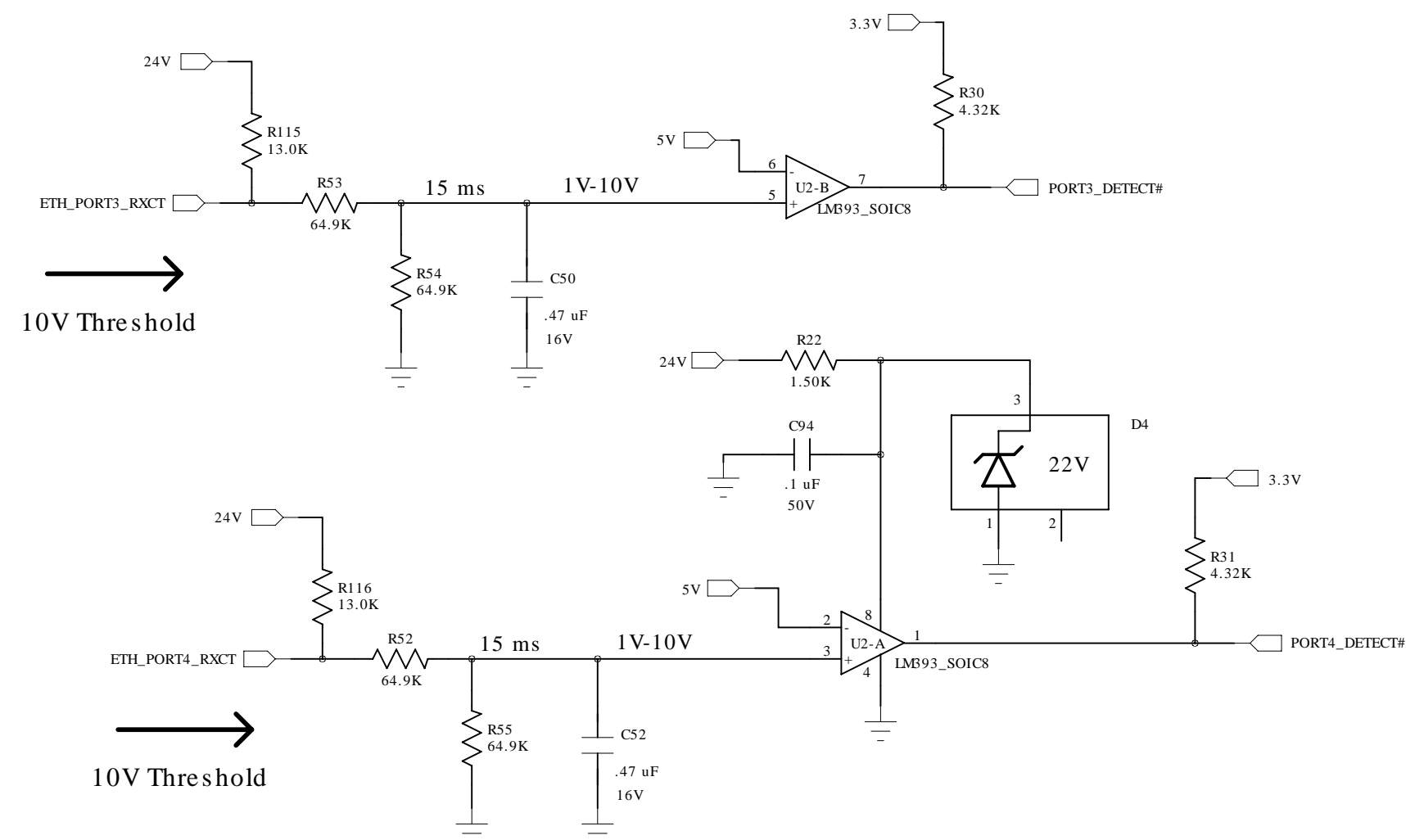
RS-485 Driver



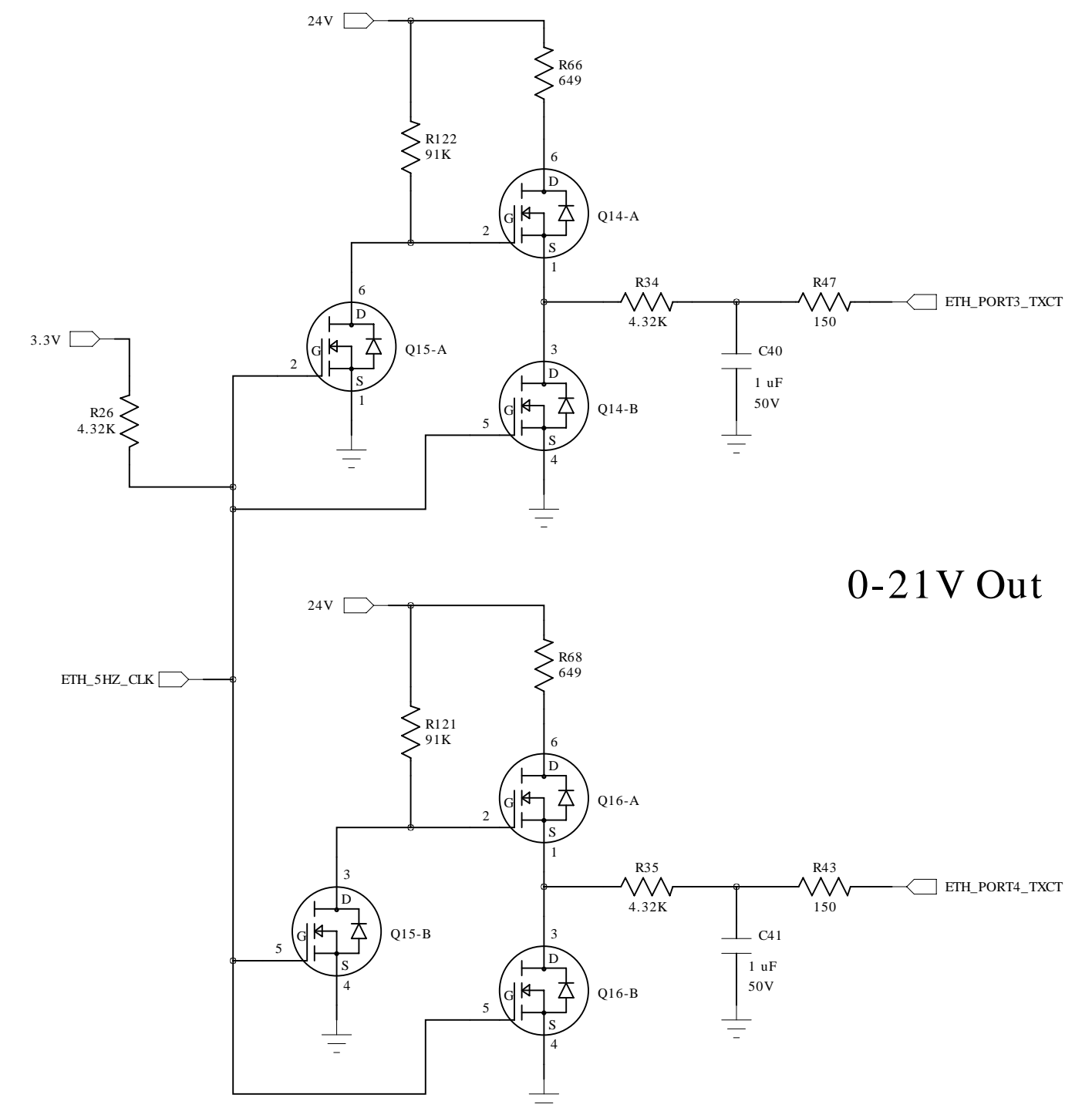
Port 1 RJ45 Conn.

Technologic Systems	Date Nov. 10, 2012
Title: TS-8700 ModBus RS-485 Ports	
Rev: B	Designer RLM Sheet 7 of 9

Ethernet 5 Hz Clock Receivers

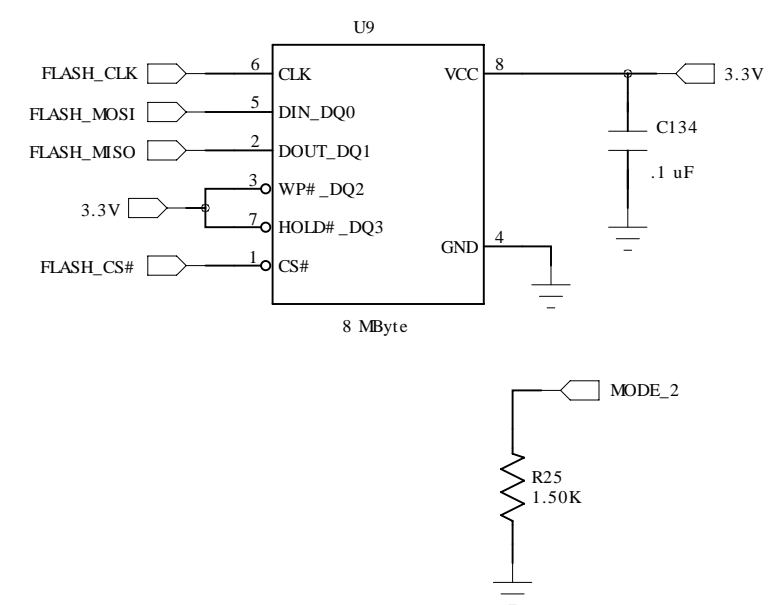


Ethernet 5 Hz Clock Drivers



0-21V Out

SPI Boot Flash



Flash and R25
are not pop.

Two 100-pin SBC Module Connectors

