

# TS-8700

## Changes Rev.B to Rev.C

TX\_EN for 2nd 485 was wrong

CN1-65 and CN1-77 were swapped

HD1 changed pin-out to match TS-7670.D

Added POE Support via HD1

USB port added to HD1 (Shared with CN3)

Ethernet Port 4 (J4) is now used for POE

Added 24V POE option

If Modem required, use TS-DC767\_MT

Added third Mounting hole for daughter card

Added "SD Boot" Jumper

USB TVS changed to new one (EOL issue)

RA LEDs changed to match TS-7670D

Change U3 to single comparator

Board ID changed to Decimal 64+13

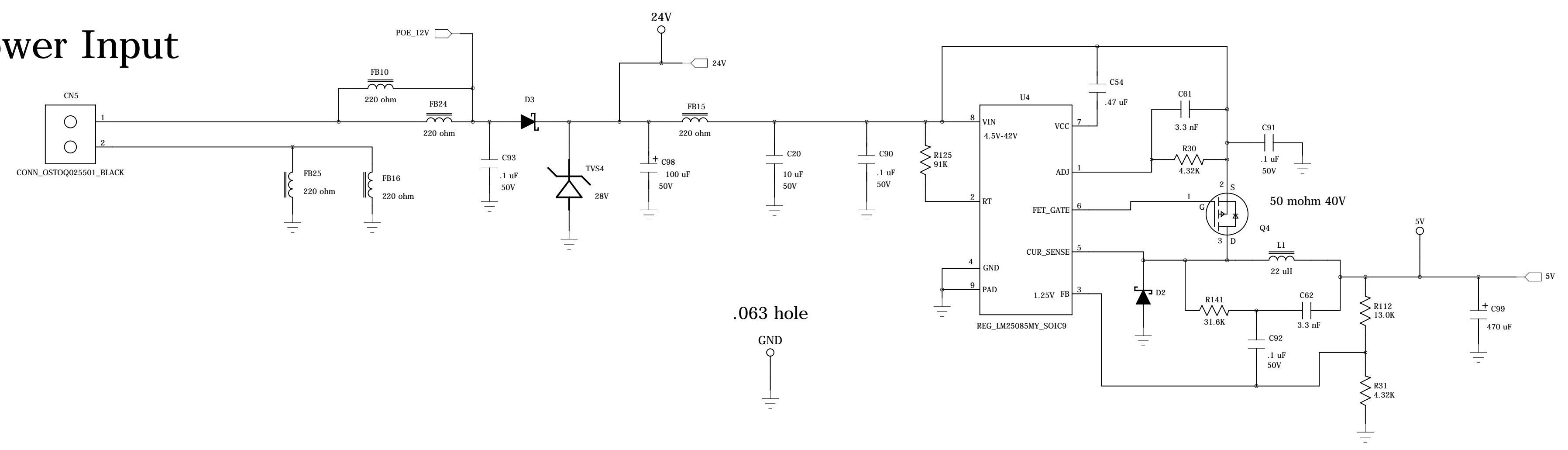
Removed SPI Flash (U9)

Removed R36 (Blue LED)

Technologic Systems	Date: Jan. 17, 2015	
Title: TS-8700 Documentation		
Rev: C	Designer	Sheet 1 of 9

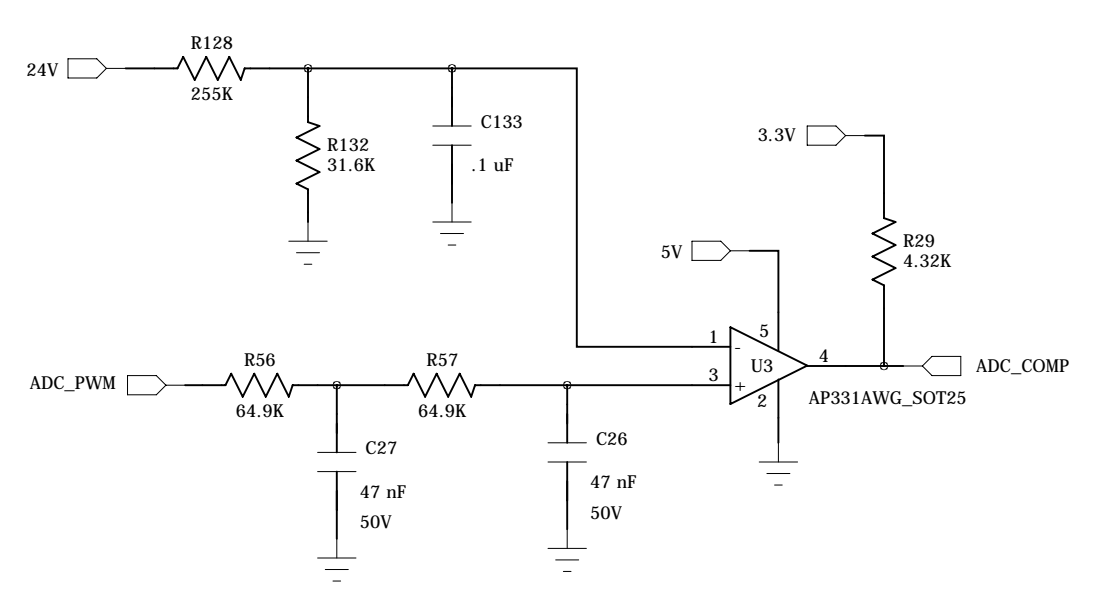
# 5V Power Supply (2.0 Amps)

8-28 VDC  
Power Input

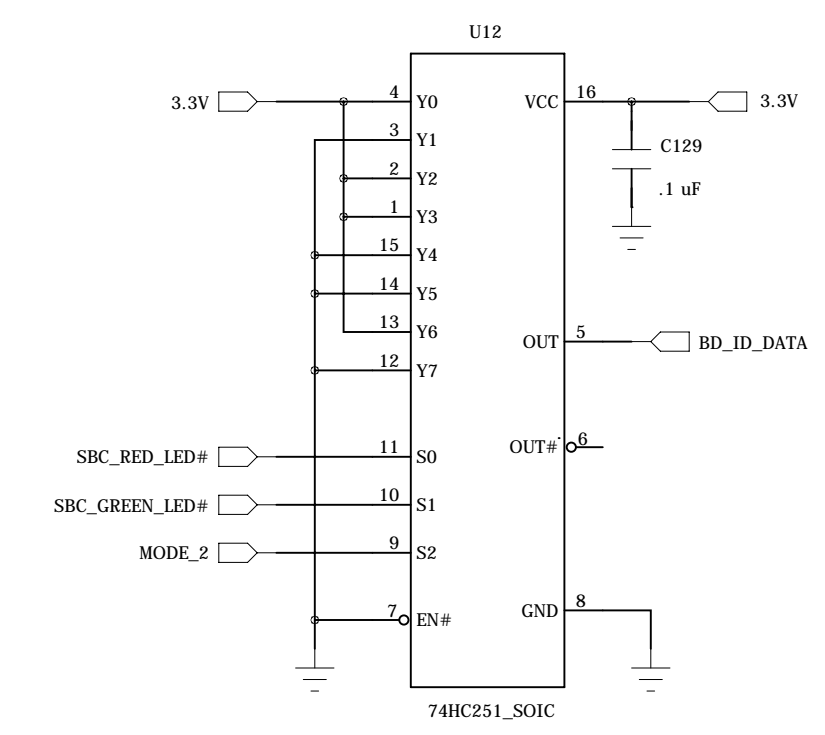


.063 hole  
GND

## A/D Converter

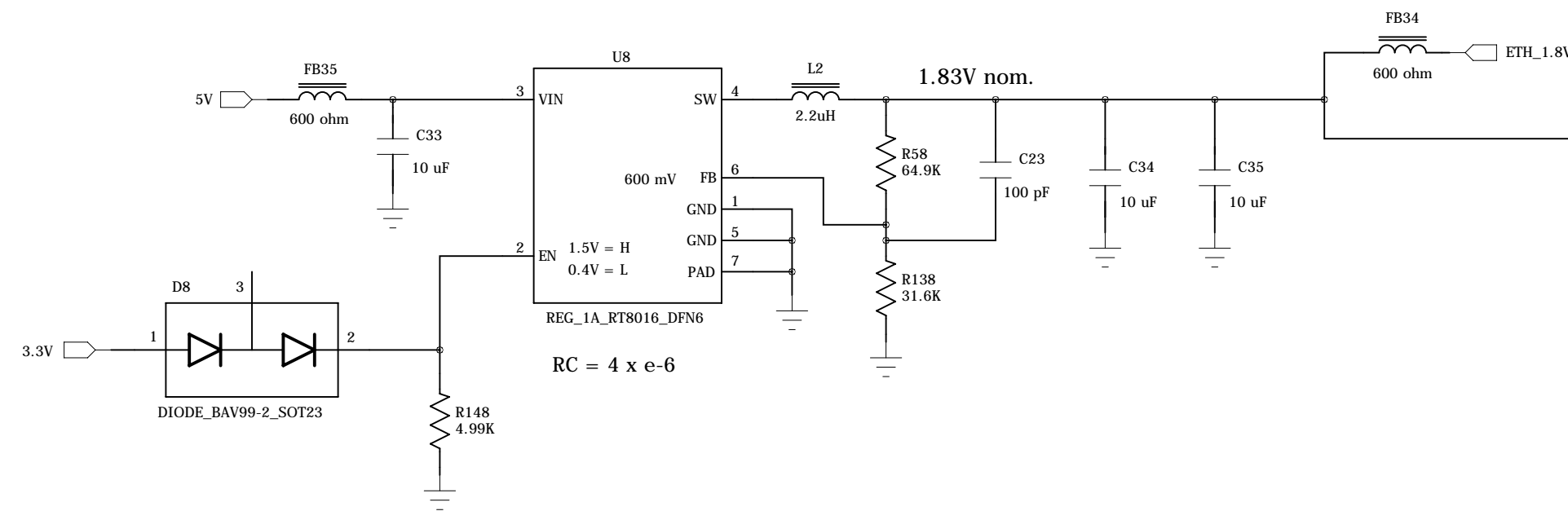


Board ID = 64 + 13

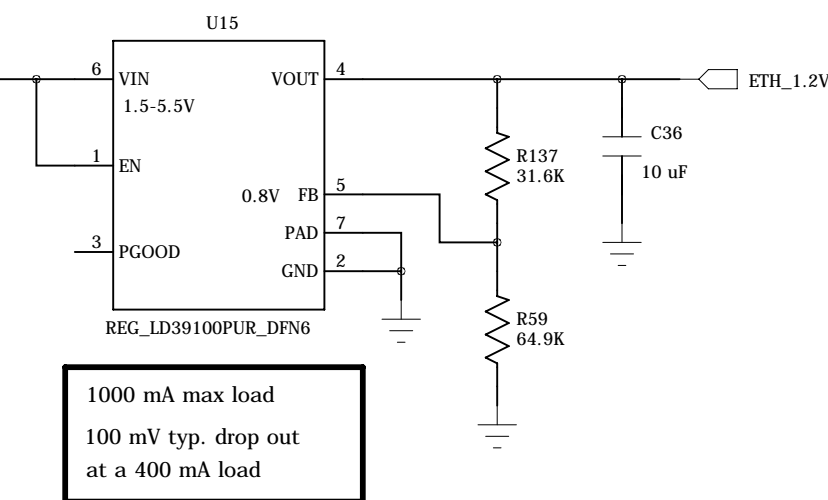


74AC151, 74AC251, 74HC151  
are 2nd sources in SOIC

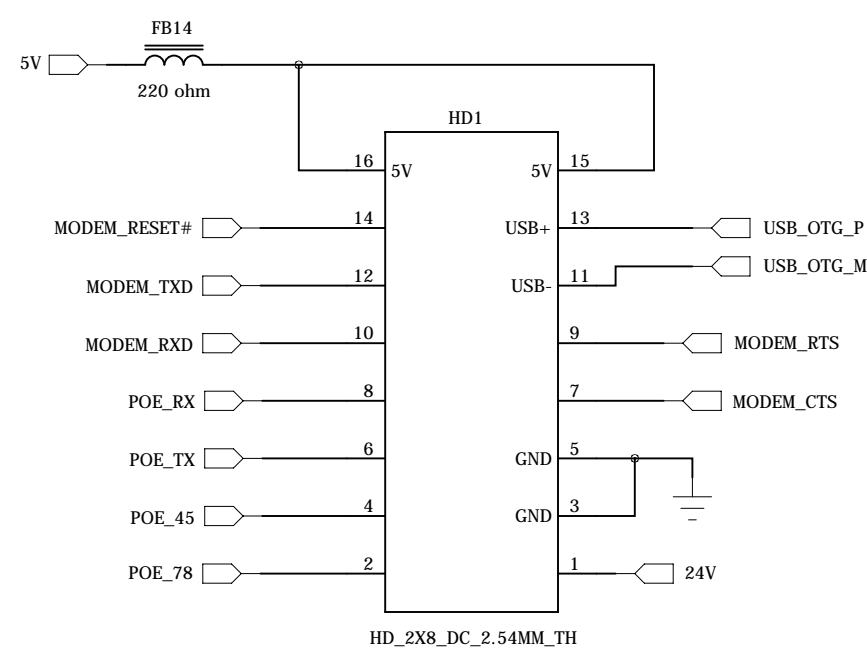
## Ethernet 1.8V Regulator



## Ethernet 1.2V Reg.

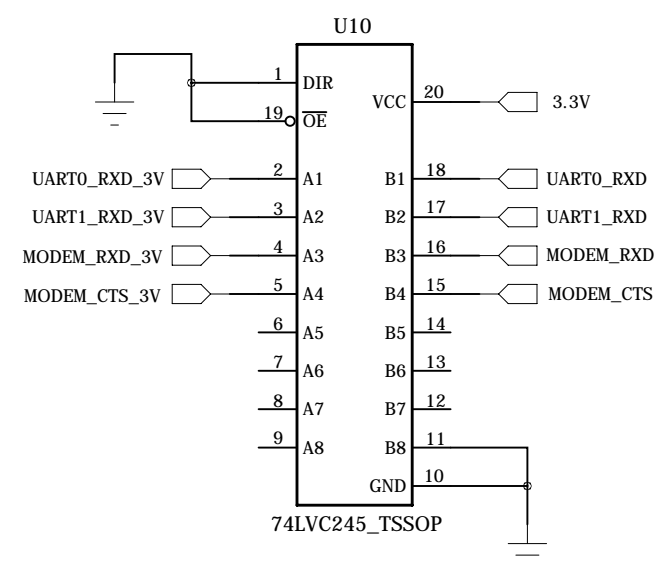


## Daughter Card Interface

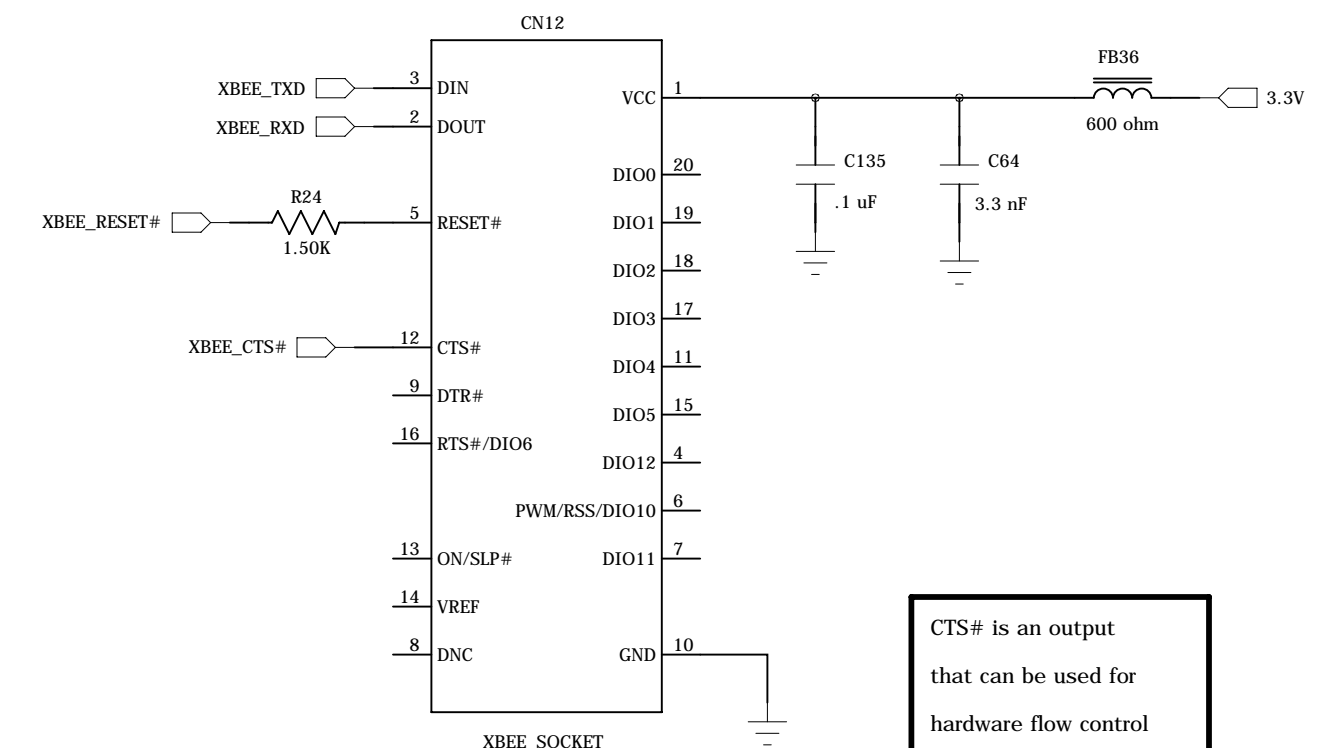


## Level shifter

3.3V ← 5V



## Digi/MaxStream XBee Radio

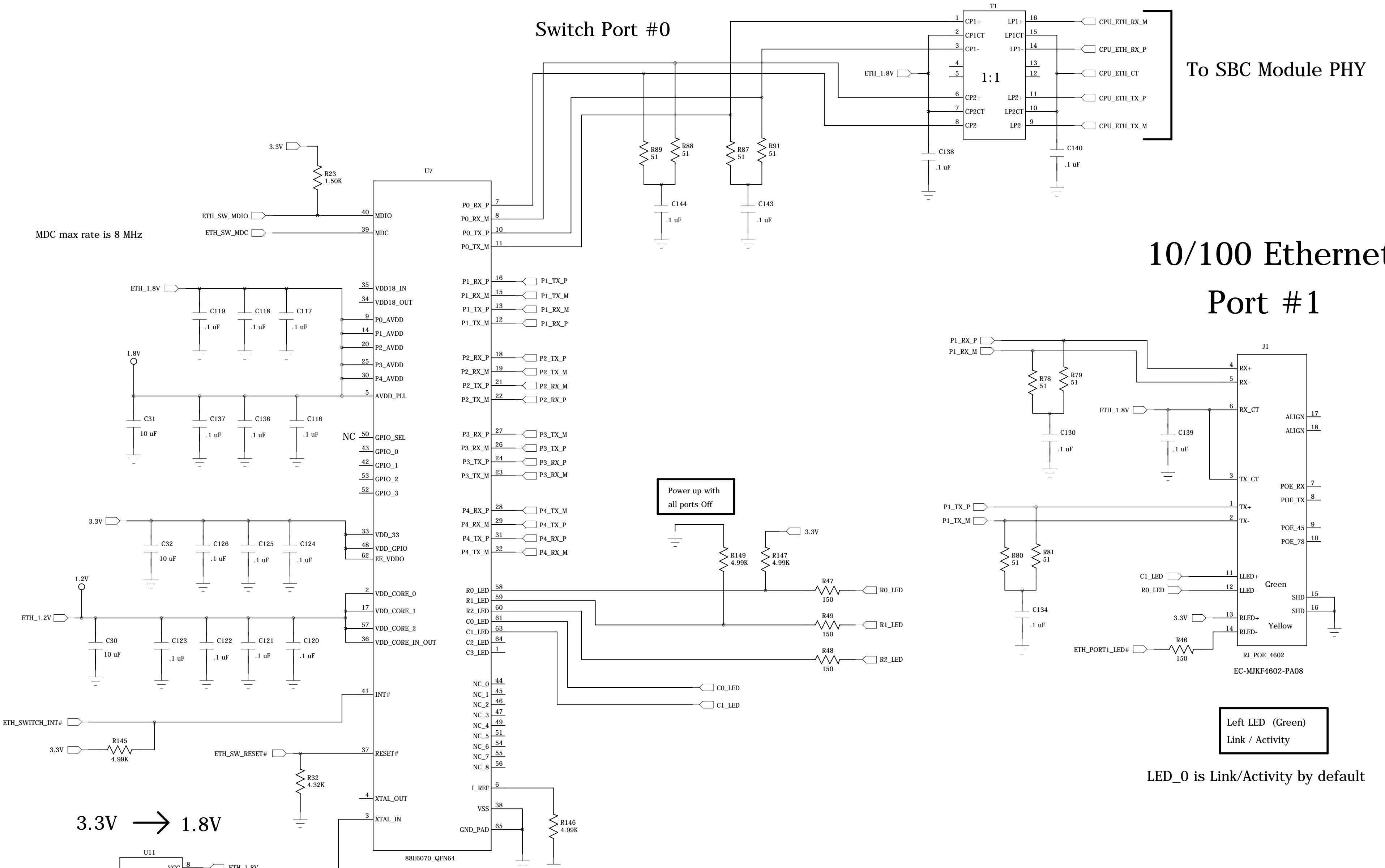


Reset# must be driven with Open drain

Baud rates up to 230.4K supported

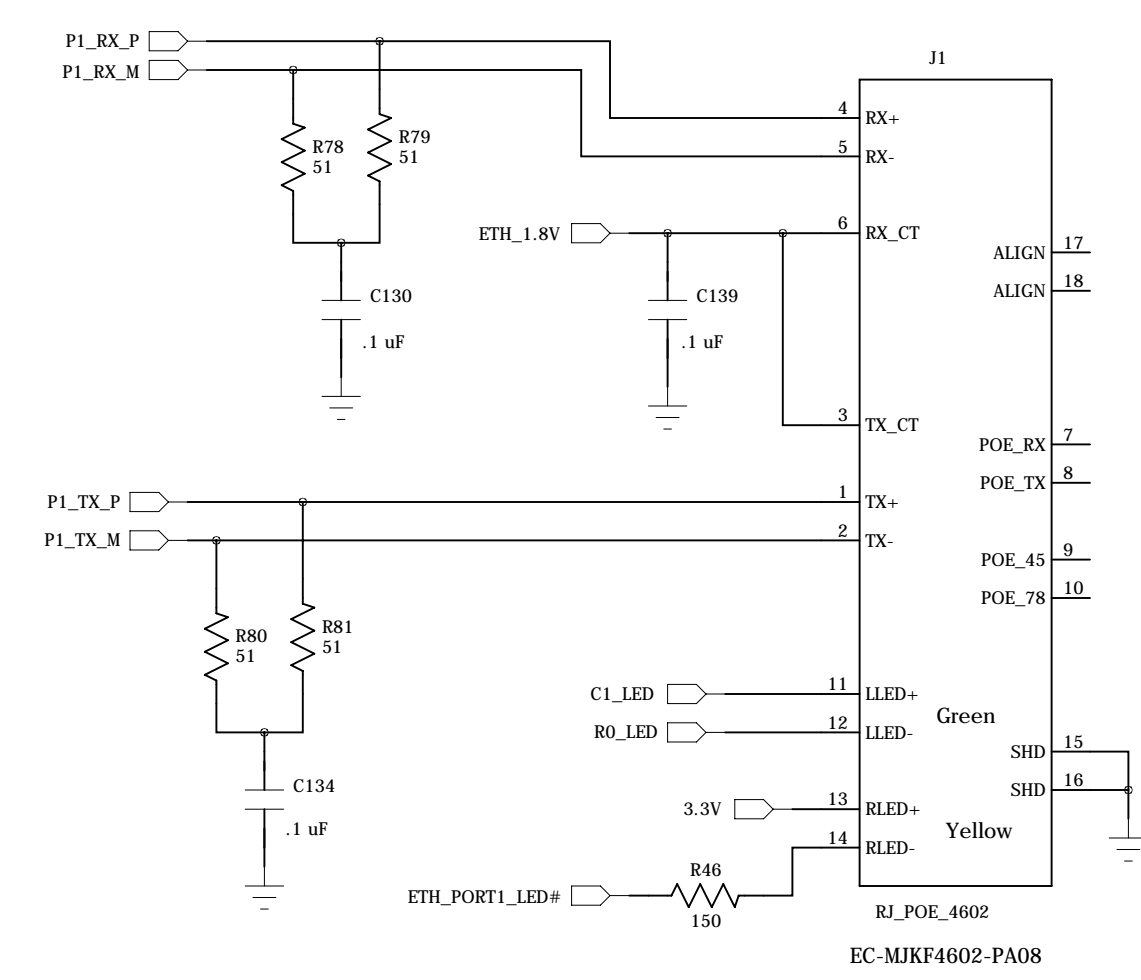
# 10/100 Ethernet 5-Port Switch

## Switch Port #0



To SBC Module PHY

## 10/100 Ethernet Port #1



Left LED (Green)  
Link / Activity

LED\_0 is Link/Activity by default

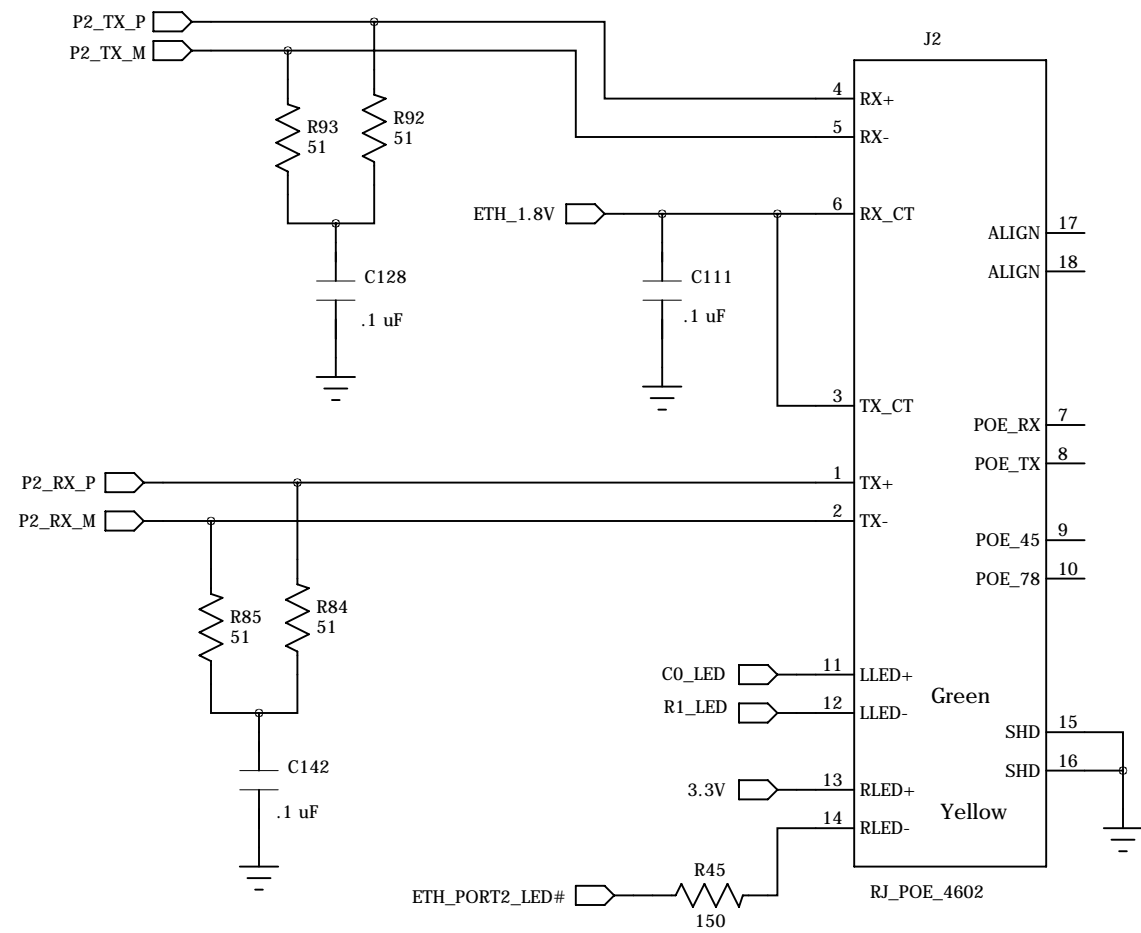
Auto MDIX is supported

Polarity Correction also supported

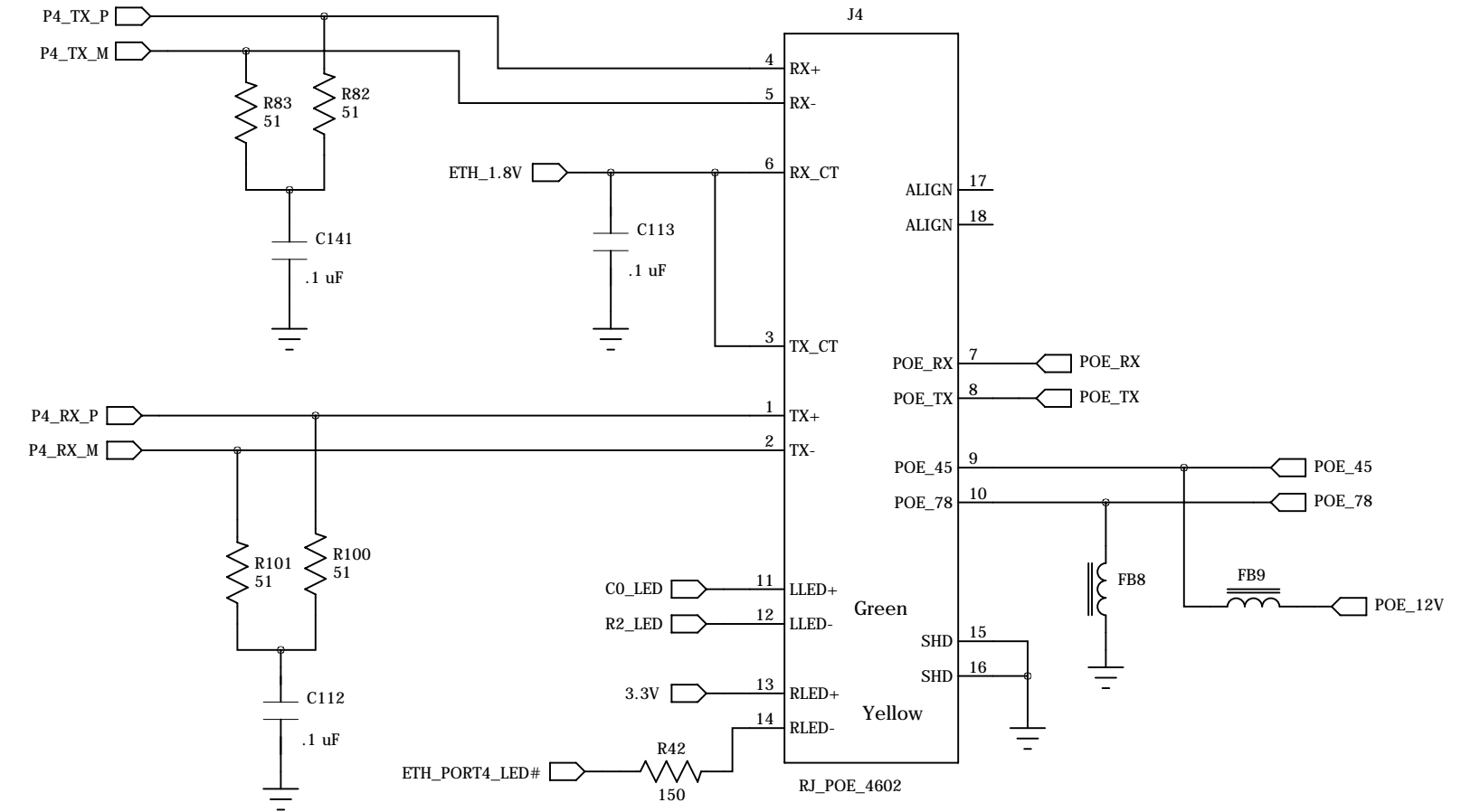
Technologic Systems	Date Jan. 17, 2015
Title: TS-8700 Ethernet Switch	
Rev: C	Designer
Sheet 4	of 9

# Ethernet Ports

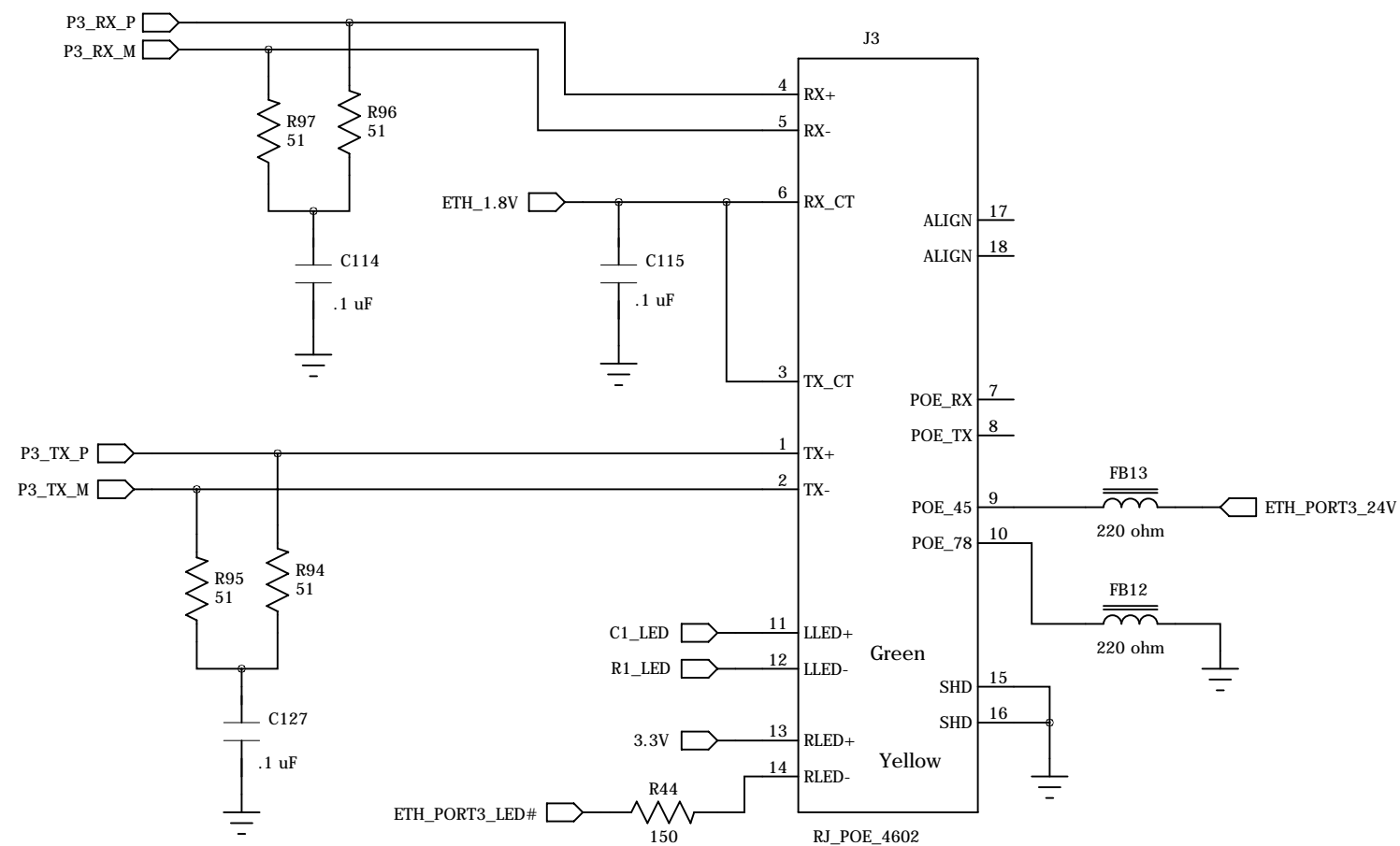
## Port #2



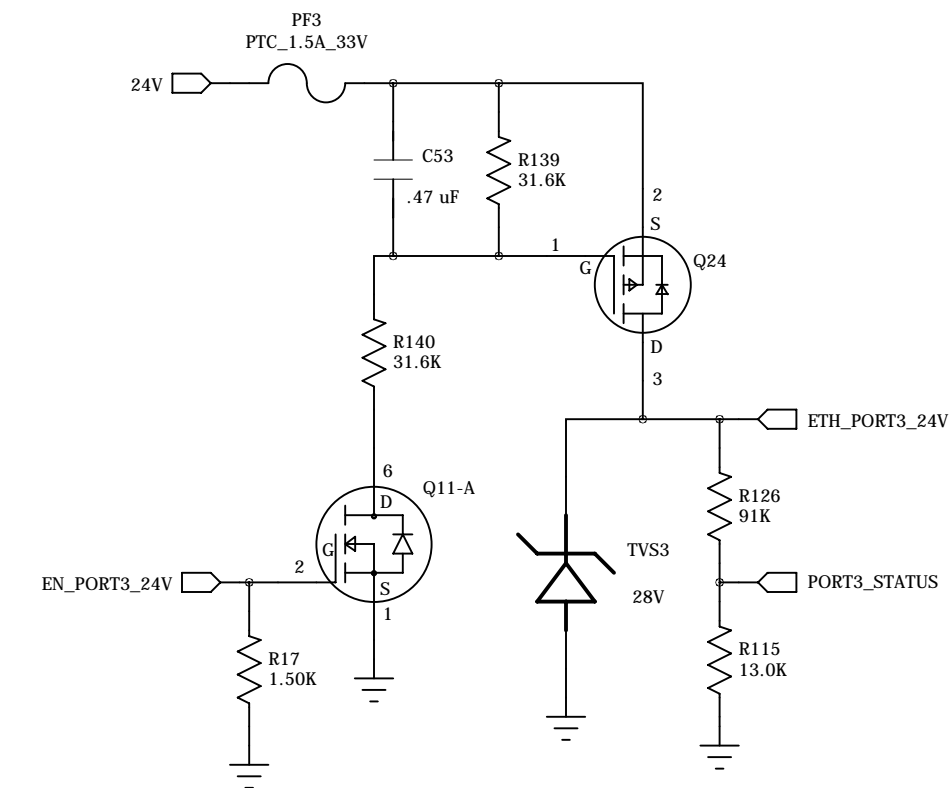
## Port #4



## Port #3

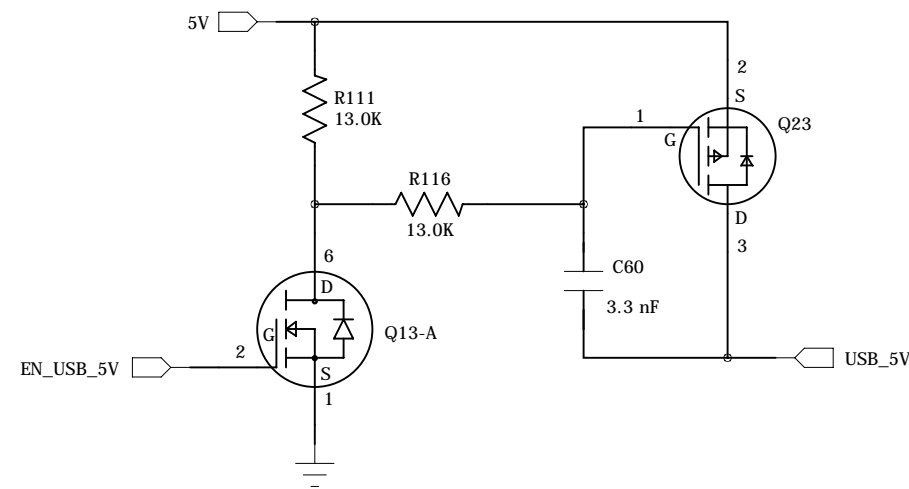


## Port 3 Power Switch

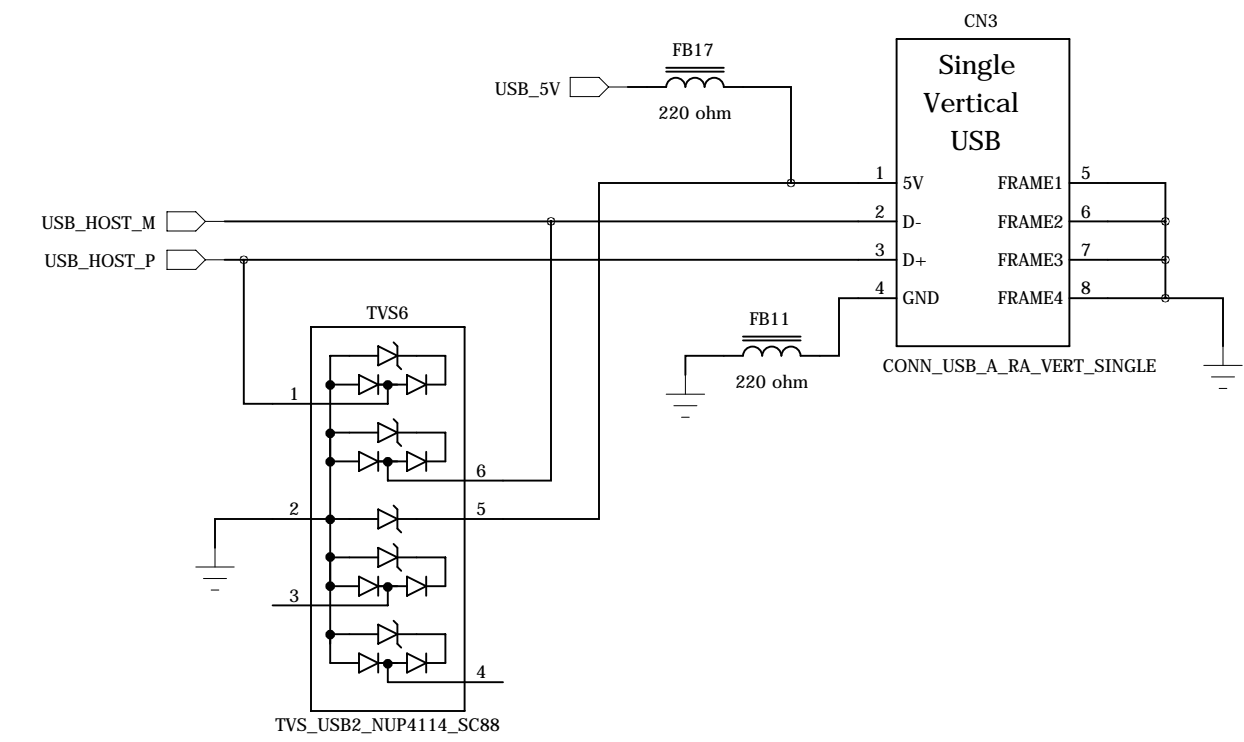


# USB Ports

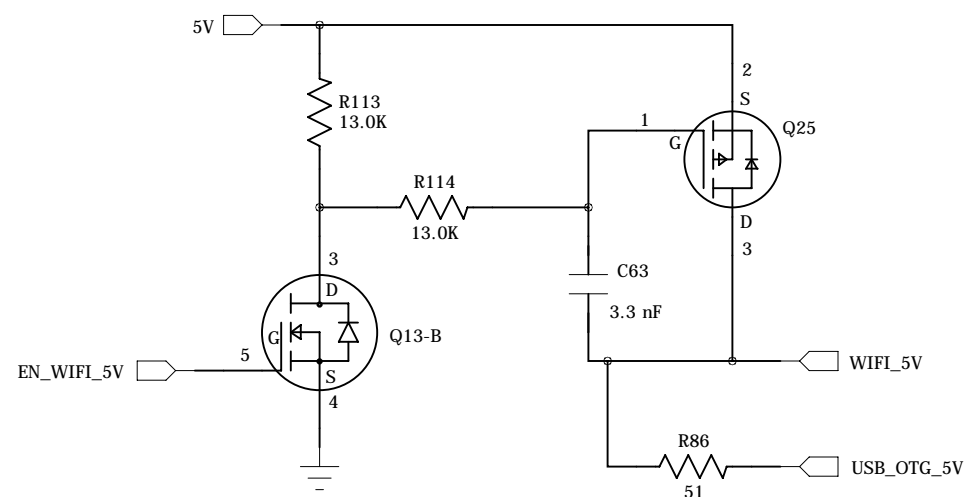
## External USB Power Switch



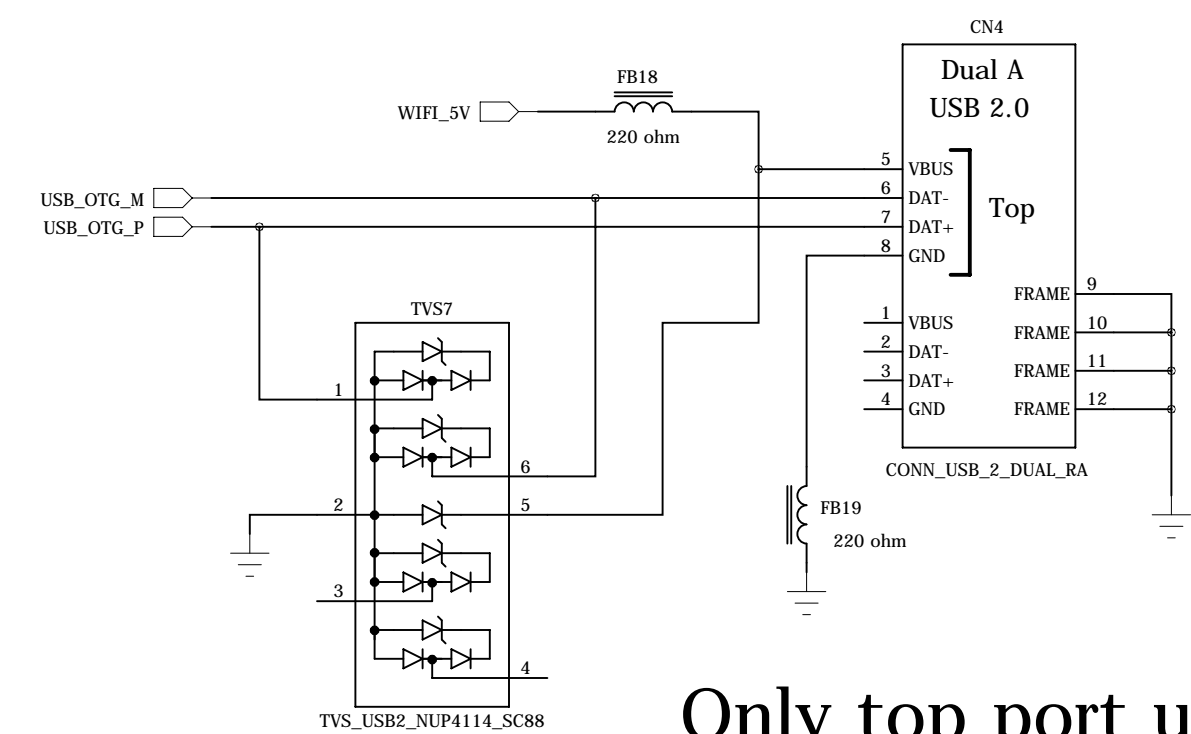
## External USB Port



## WiFi Power Switch



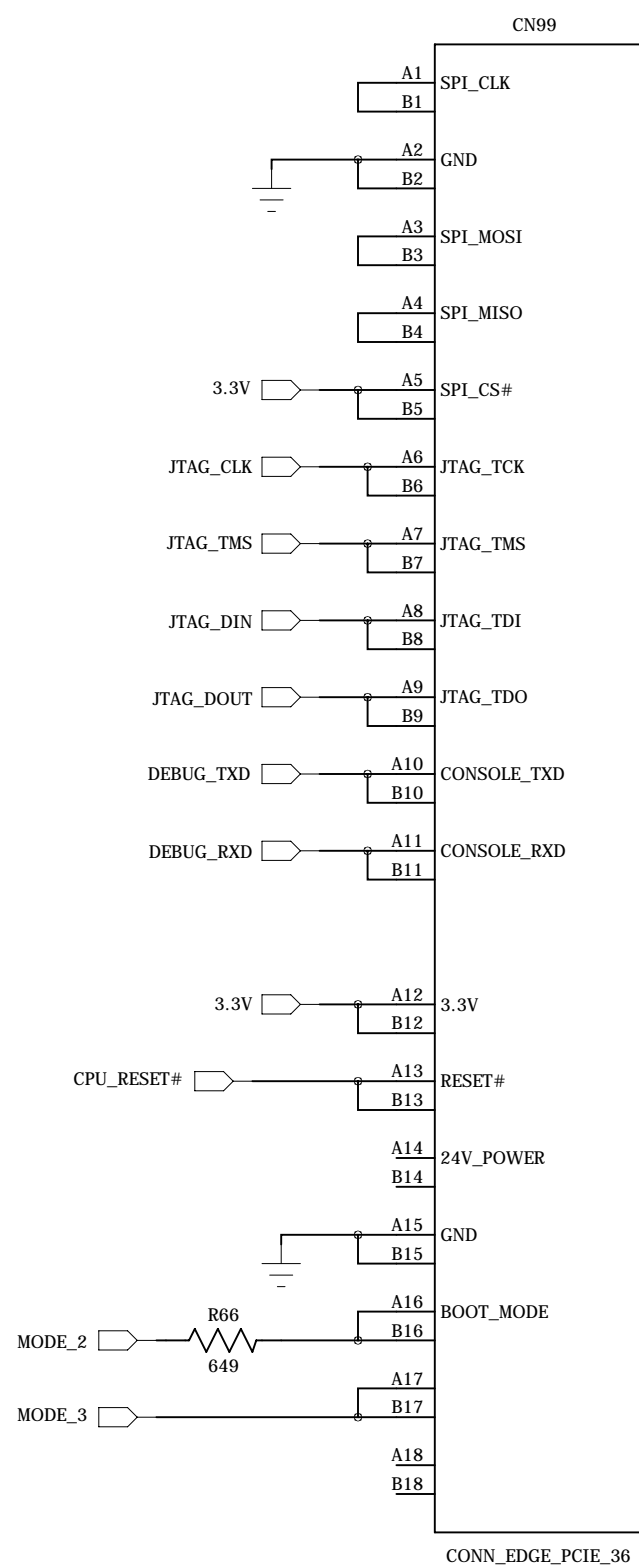
## Internal WiFi Host RA USB Port



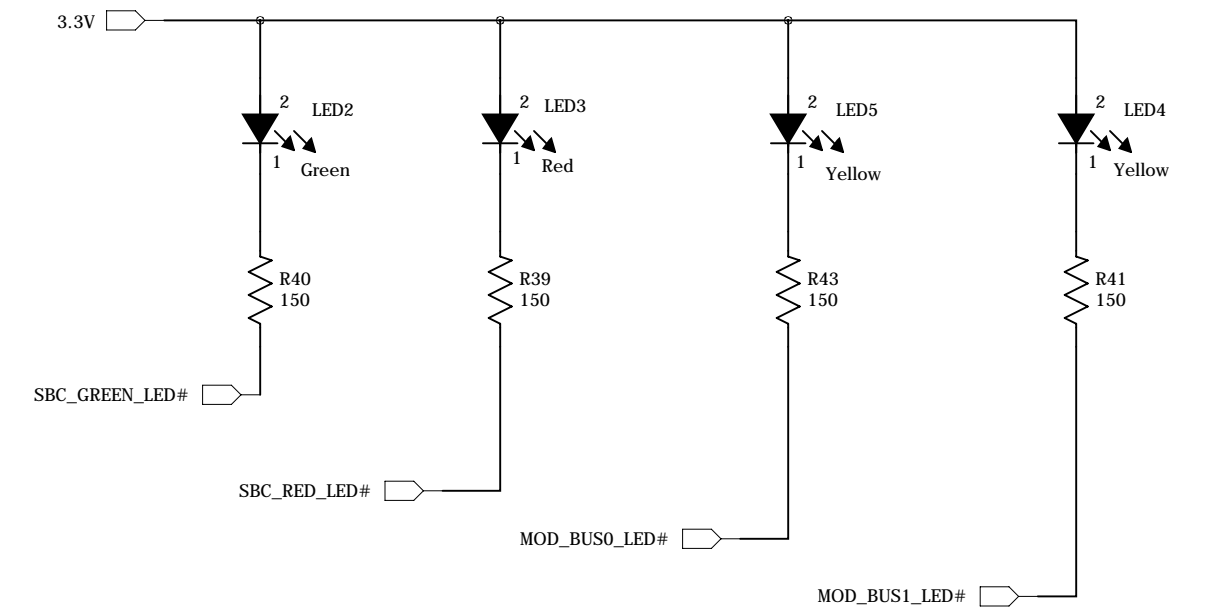
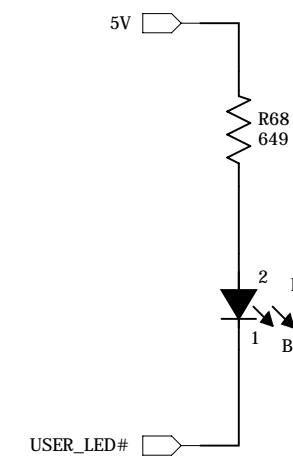
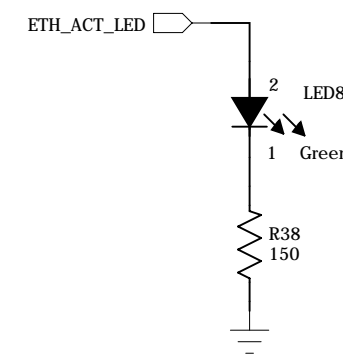
Only top port used

Technologic Systems	Date	Jan. 17, 2015
Title: TS-8700 USB Ports		
Rev: C	Designer	Sheet 6 of 9

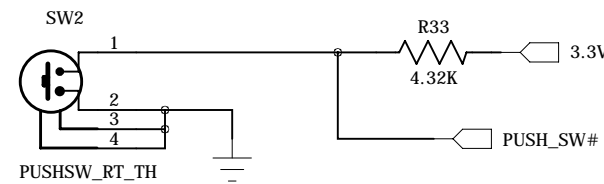
# Console Edge Conn.



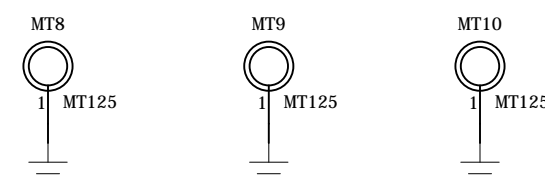
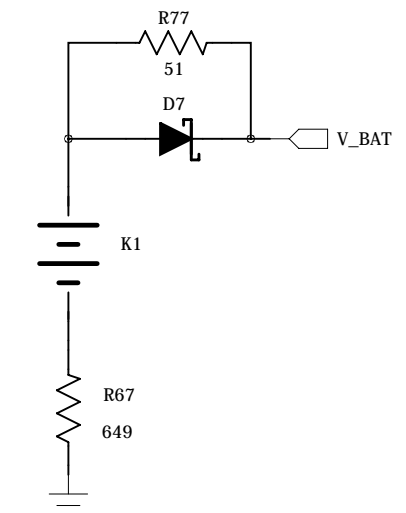
# SMT RA LEDs



# Push Switch



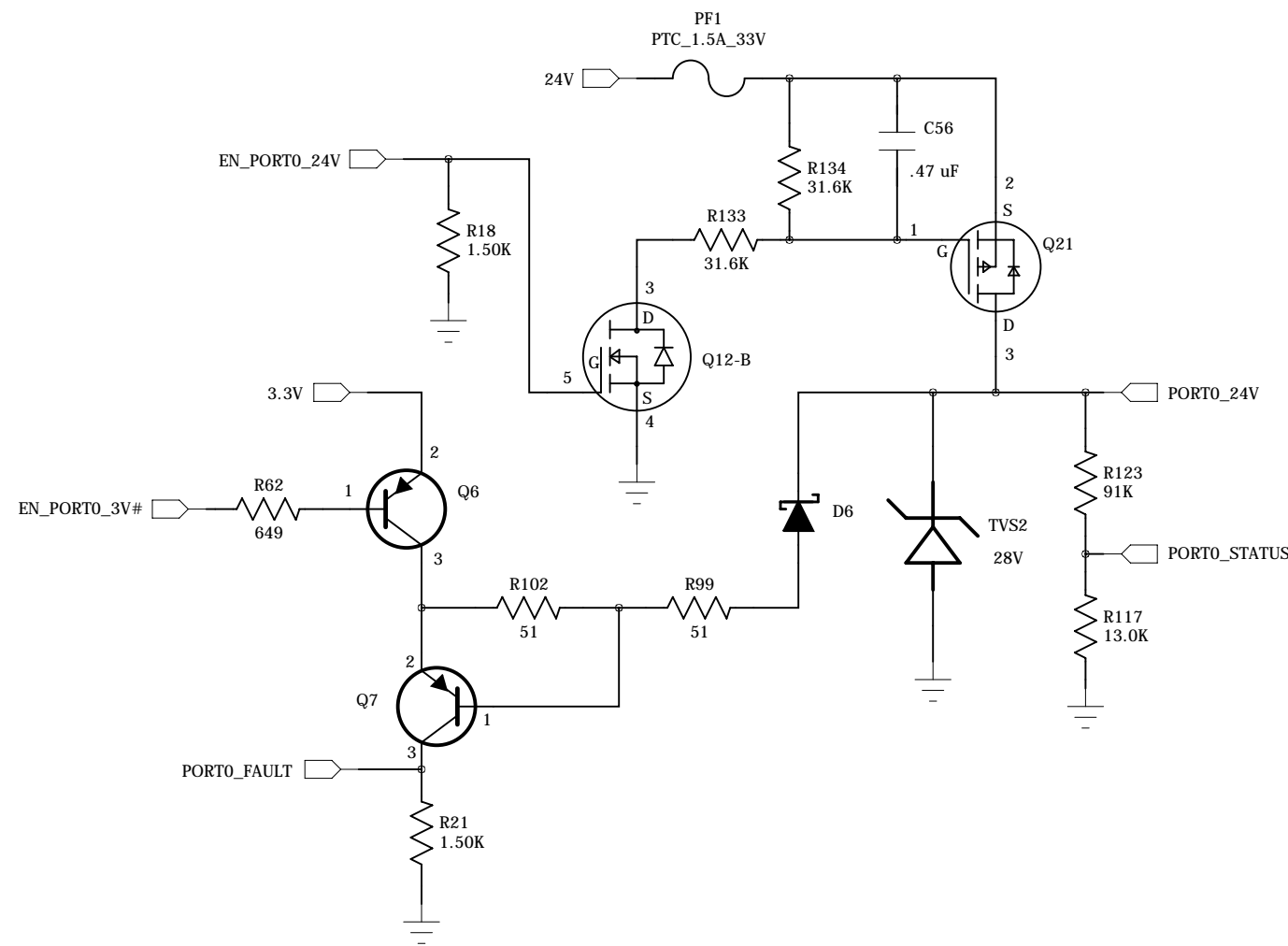
# Battery for RTC



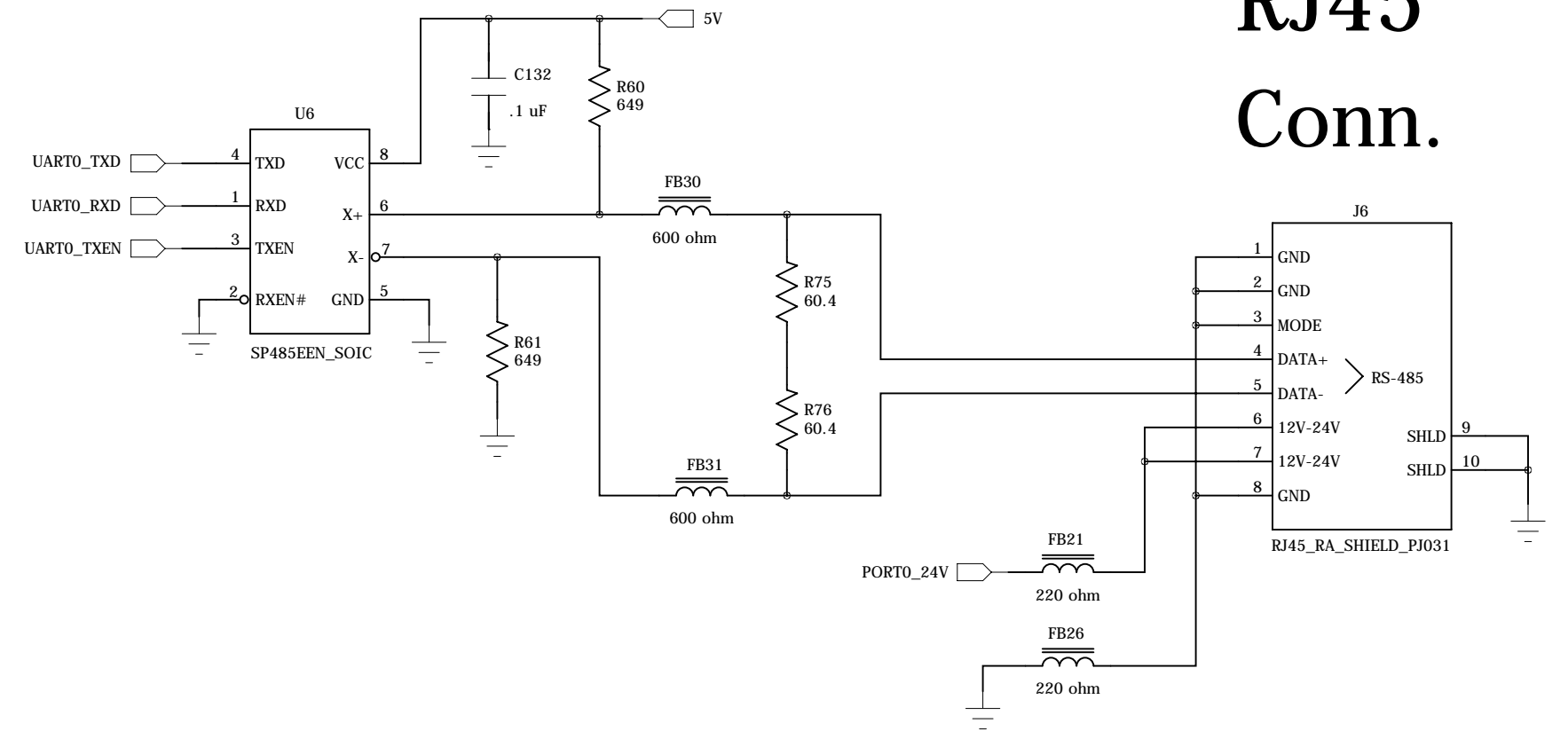
Technologic Systems	Date Jan. 17, 2015
Title: TS-8700 Battery, Console, LEDs	
Rev: C	Designer RLM
Sheet 7 of 9	

# Mod Bus RS-485 Ports

## Port 0 Power Switch

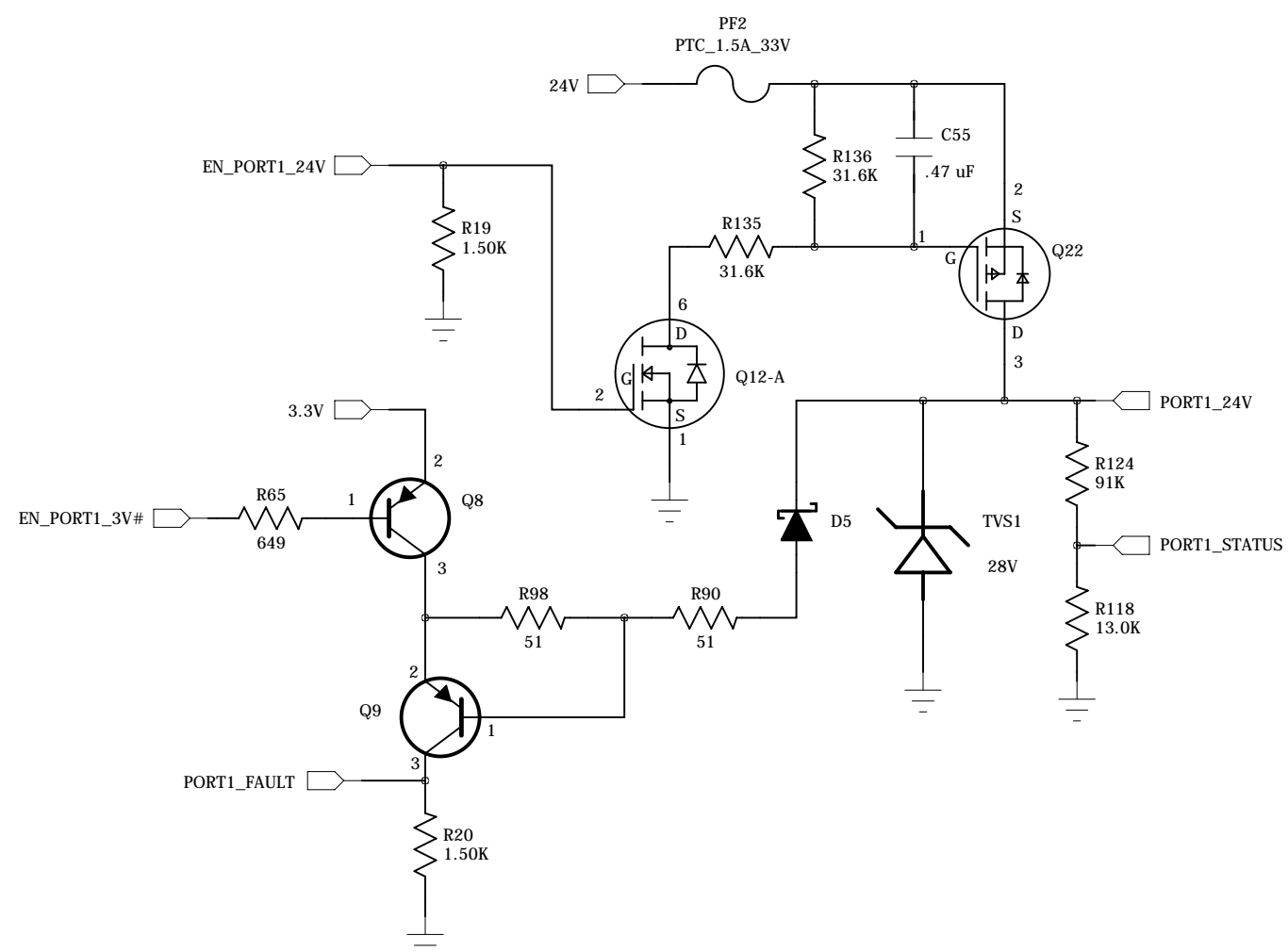


## RS-485 Driver

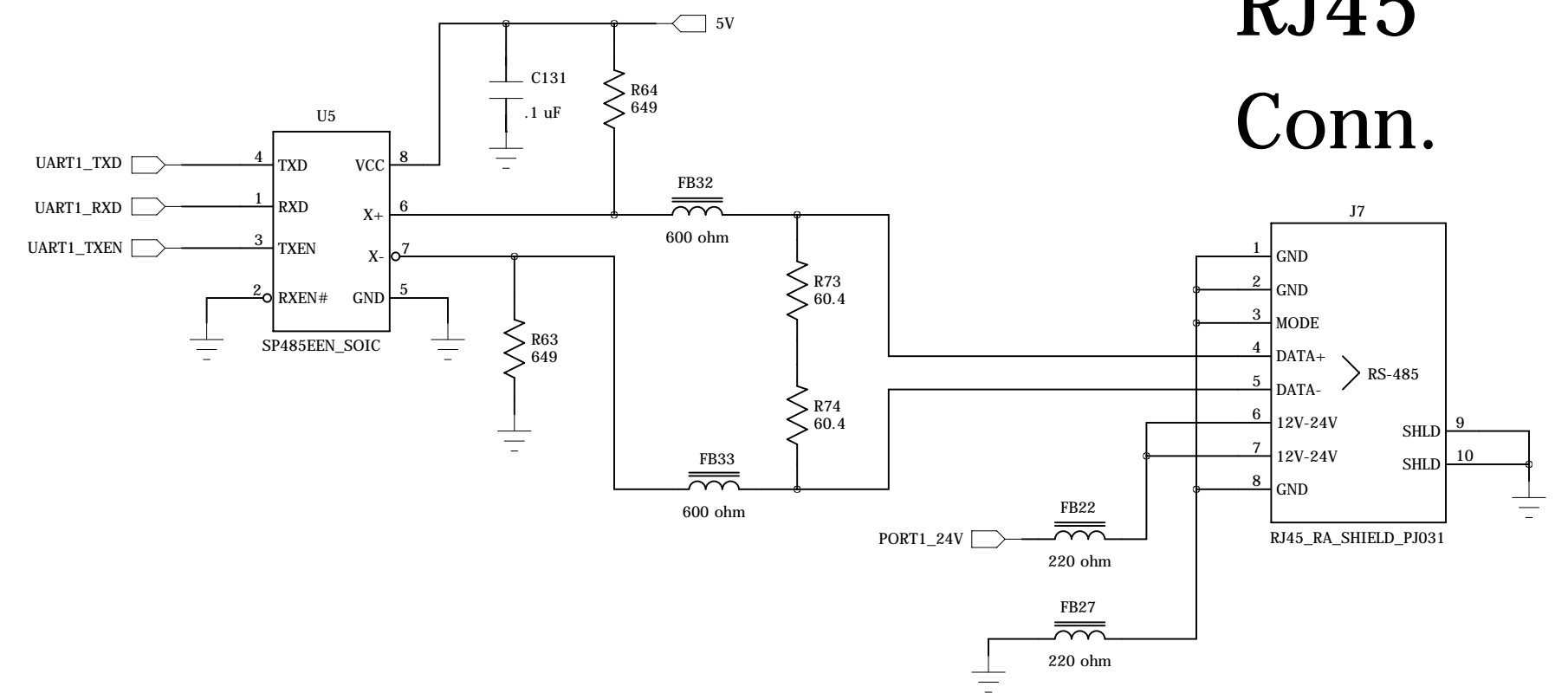


## Port 0 RJ45 Conn.

## Port 1 Power Switch



## RS-485 Driver

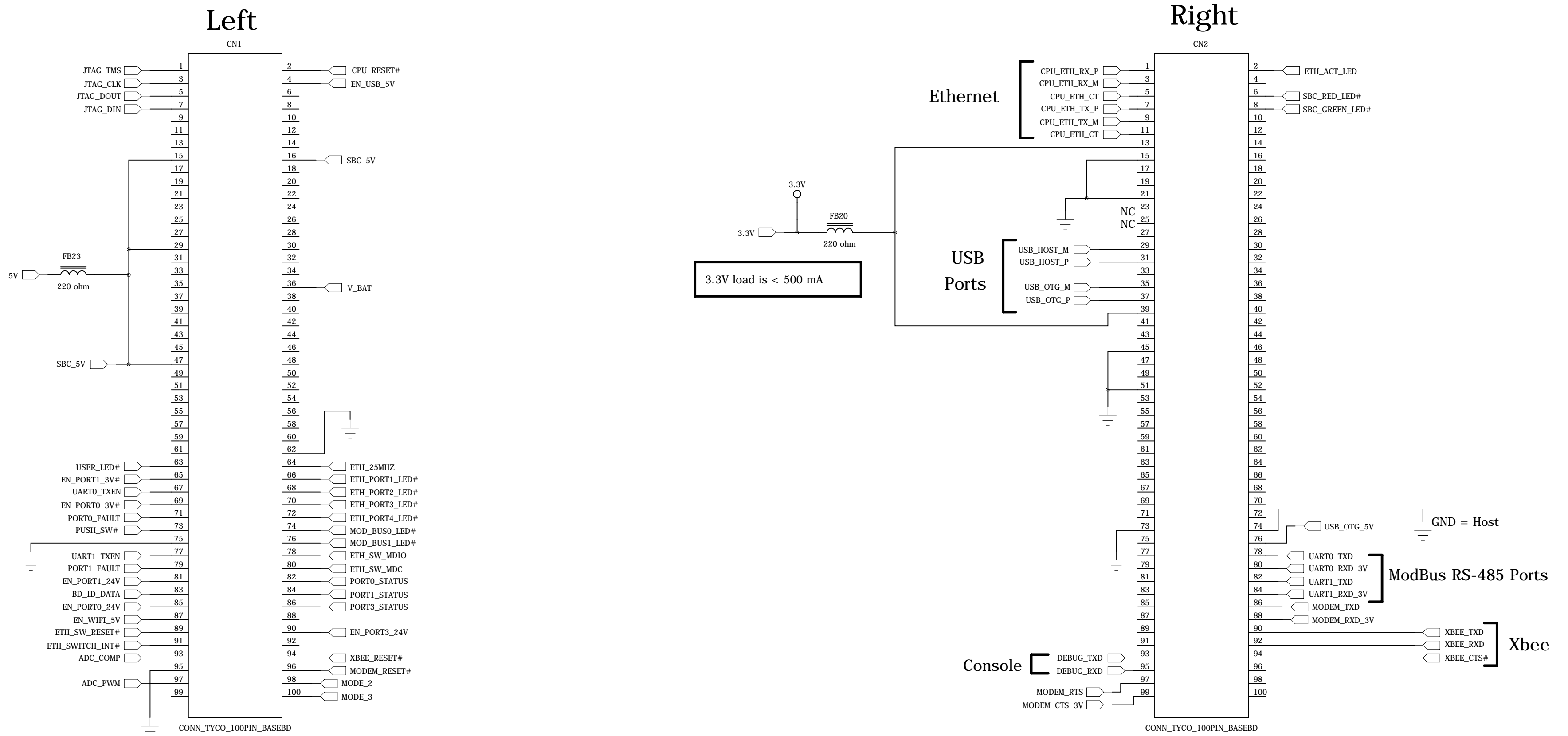


## Port 1 RJ45 Conn.

Technologic Systems	Date Jan. 17, 2015
Title: TS-8700 ModBus RS-485 Ports	
Rev: C	Designer RLM Sheet 8 of 9



# Two 100-pin SBC Module Connectors



## SD Boot Jumper

