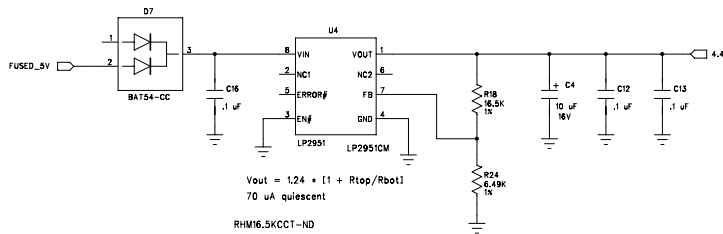
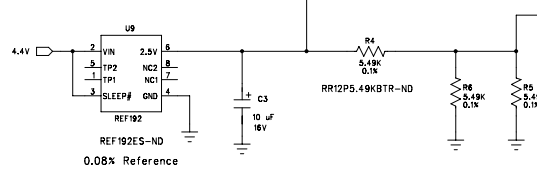


4.4V Regulator for Analog

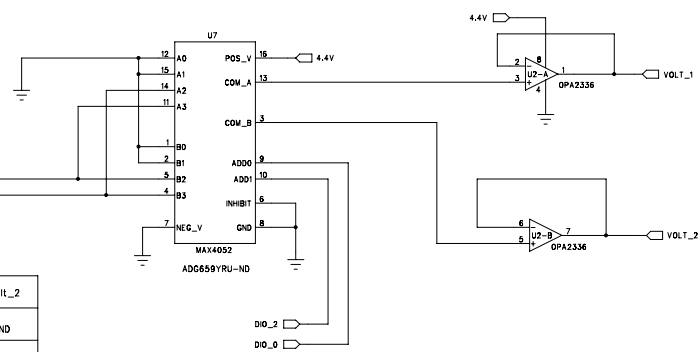


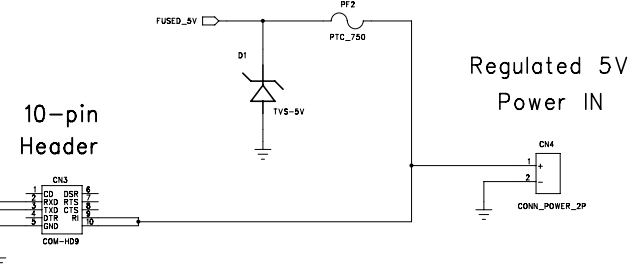
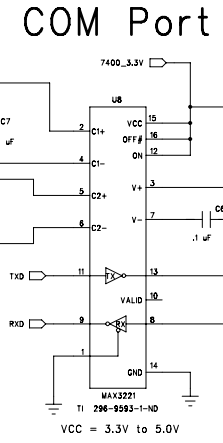
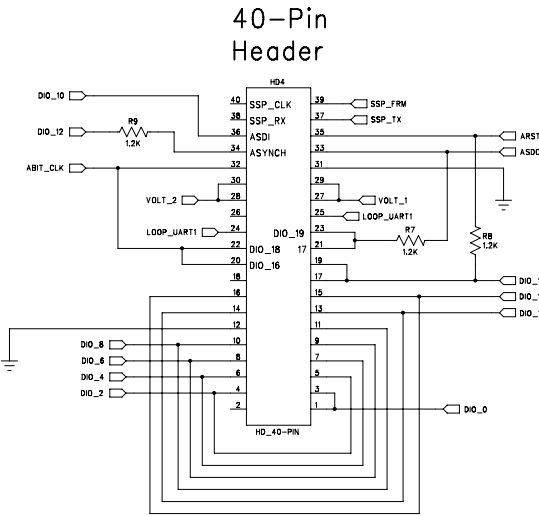
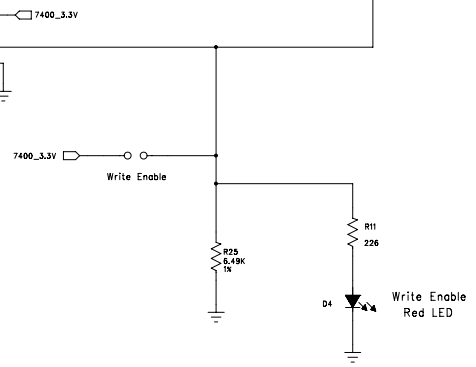
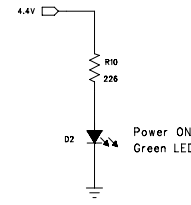
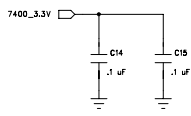
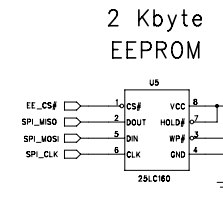
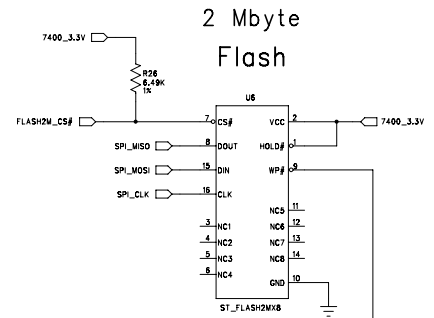
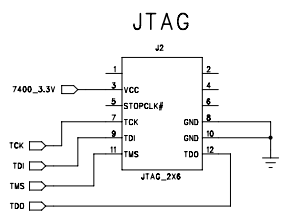
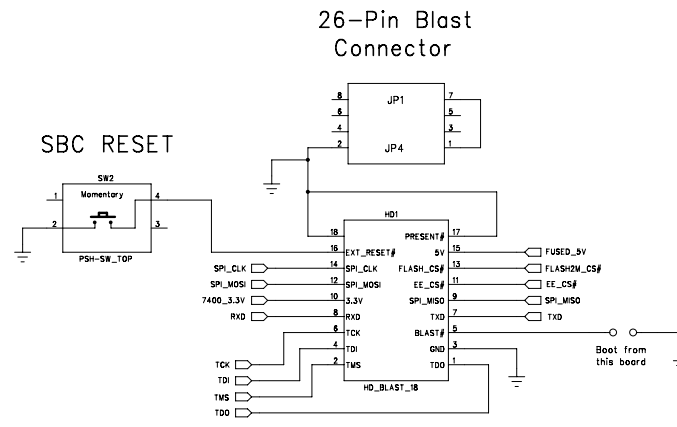
Precision 2.5V



DIO_0	DIO_2	Volt_1	Volt_2
0	0	GND	GND
1	0	GND	GND
0	1	0.833V	2.50V
1	1	2.50V	0.833V

Must wait 30 mS after changing MUX to allow for slew time





Technologic Systems	Date Aug. 29, 2006
Title: TS-9441 Test board for TS-7400	
Rev: 1.0	Designer RLM Sheet 2 of 2