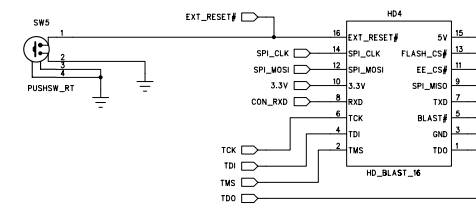
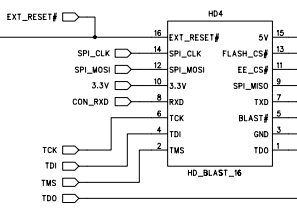


# For TS-7350\_70\_90

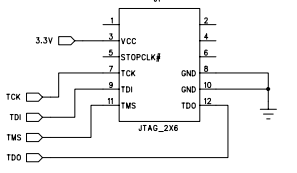
## SBC RESET



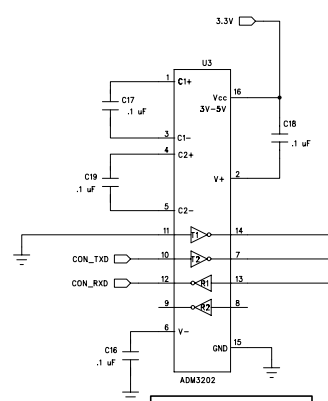
## 16-Pin Blast Connector



## JTAG

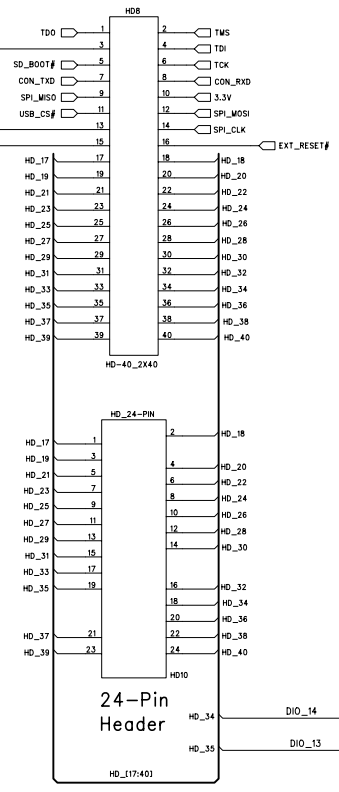
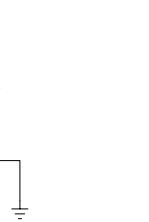


## RS-232 Transceiver



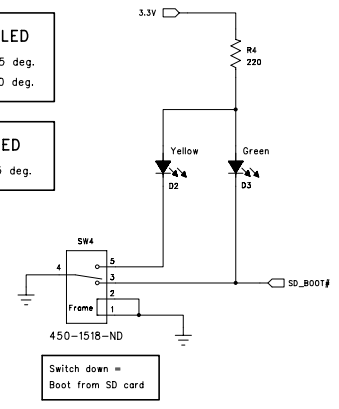
MAX3232 = 2nd source  
ST3232 = 3rd source

## Console COM Port



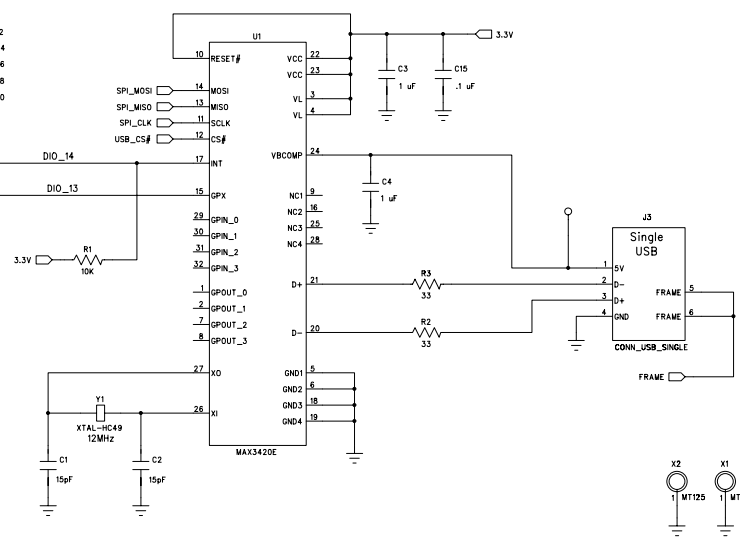
**Green 3mm Thru-hole LED**  
160-1659-ND .14 320mcd 45 deg.  
67-1059-ND .12 100mcd 30 deg.

**Red 3mm Thru-hole LED**  
160-1661-ND .13 250mcd 45 deg.



Switch down = Boot from SD card

## USB Interface



Technologic Systems	Date Aug. 14, 2008
Title: TS-7350_70_90 Console board	
Rev:	Designer
	Sheet 1 of 1