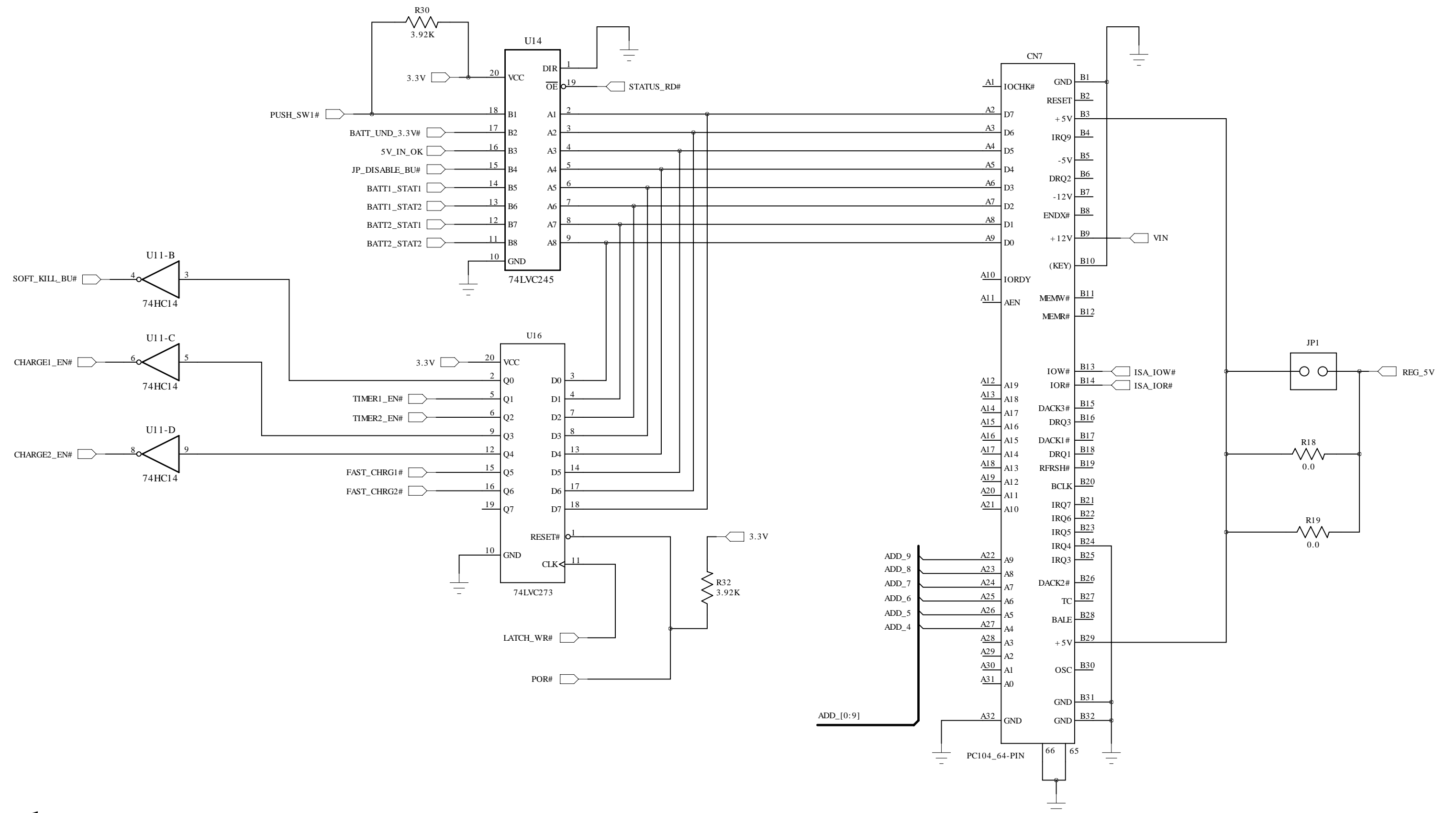
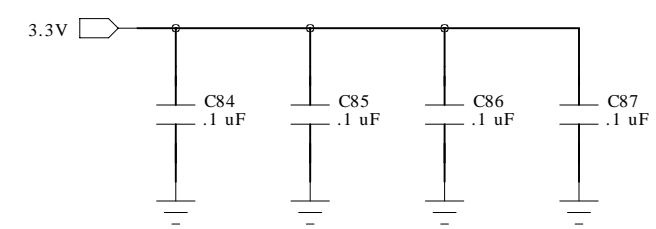
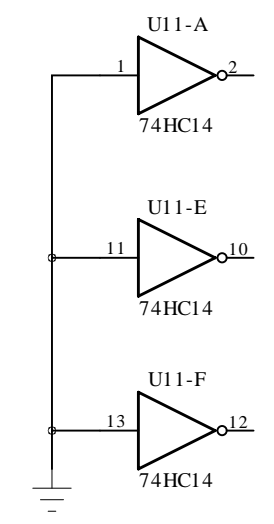
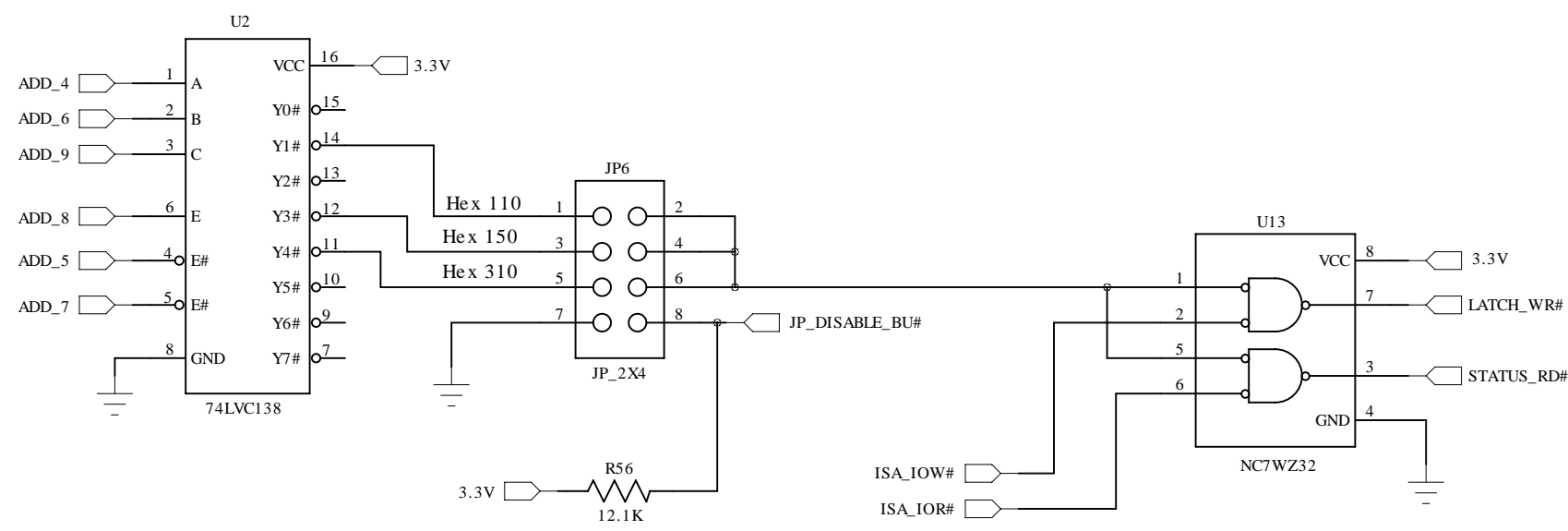


PC/104

64-pin Connector



Address Decode

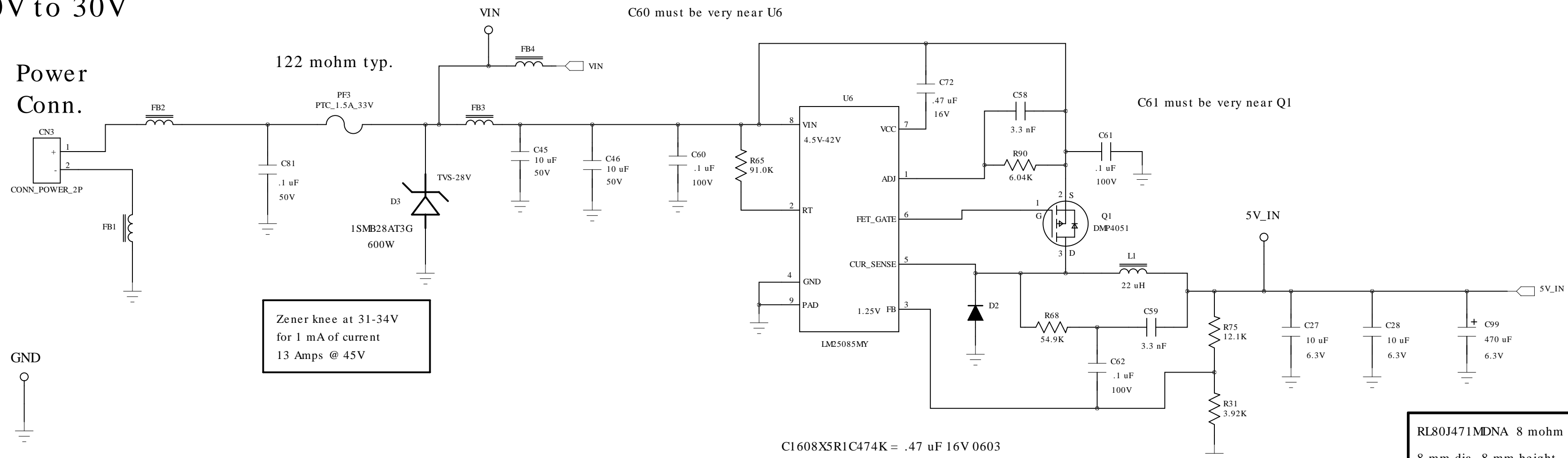


Technologic Systems	Feb. 1, 2013
Title: TS-BAT_10 PC/104 bus	
Rev: A	Designer
Sheet 1 of 4	

5V Power Supply (3.0 Amps)

Input Power

5.0V to 30V



Zener knee at 31-34V
for 1 mA of current
13 Amps @ 45V

MSS1260T
3.1A @ 85 deg.
37 mohm
12.5 x 12.5 x 6mm
86 cents @ 500

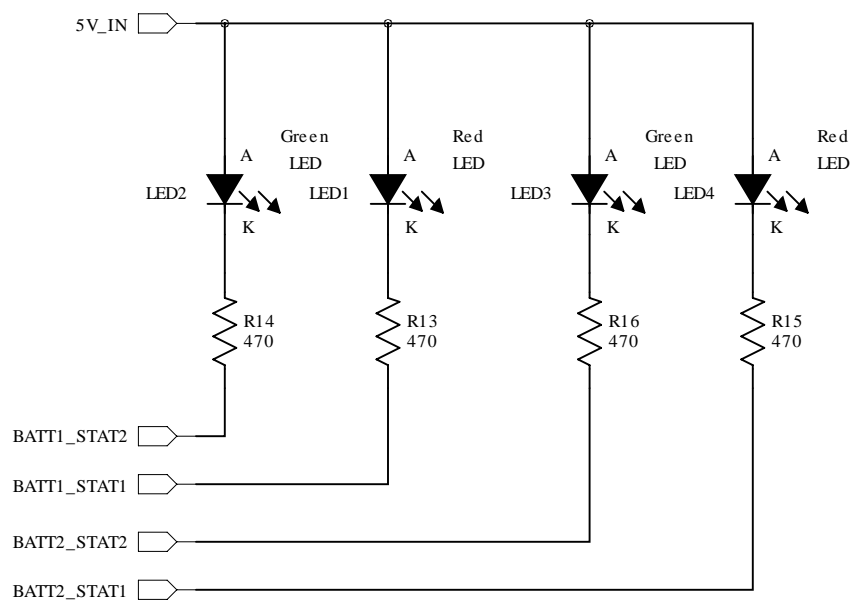
DR127-220-R
4.0A rms @ 85 deg.
39 mohm
12.5 x 12.5 x 8mm
83 cents @ 350

RL80J471MDNA 8 mohm
8 mm dia, 8 mm height
470 uF @ 6.3V .23 @ 1K

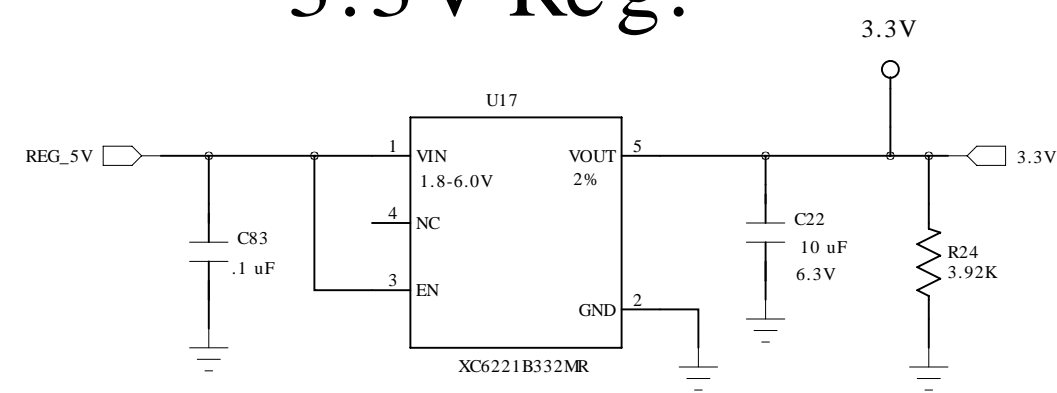
Change D2 --> B340LB-13-F

Battery Charging

LEDs

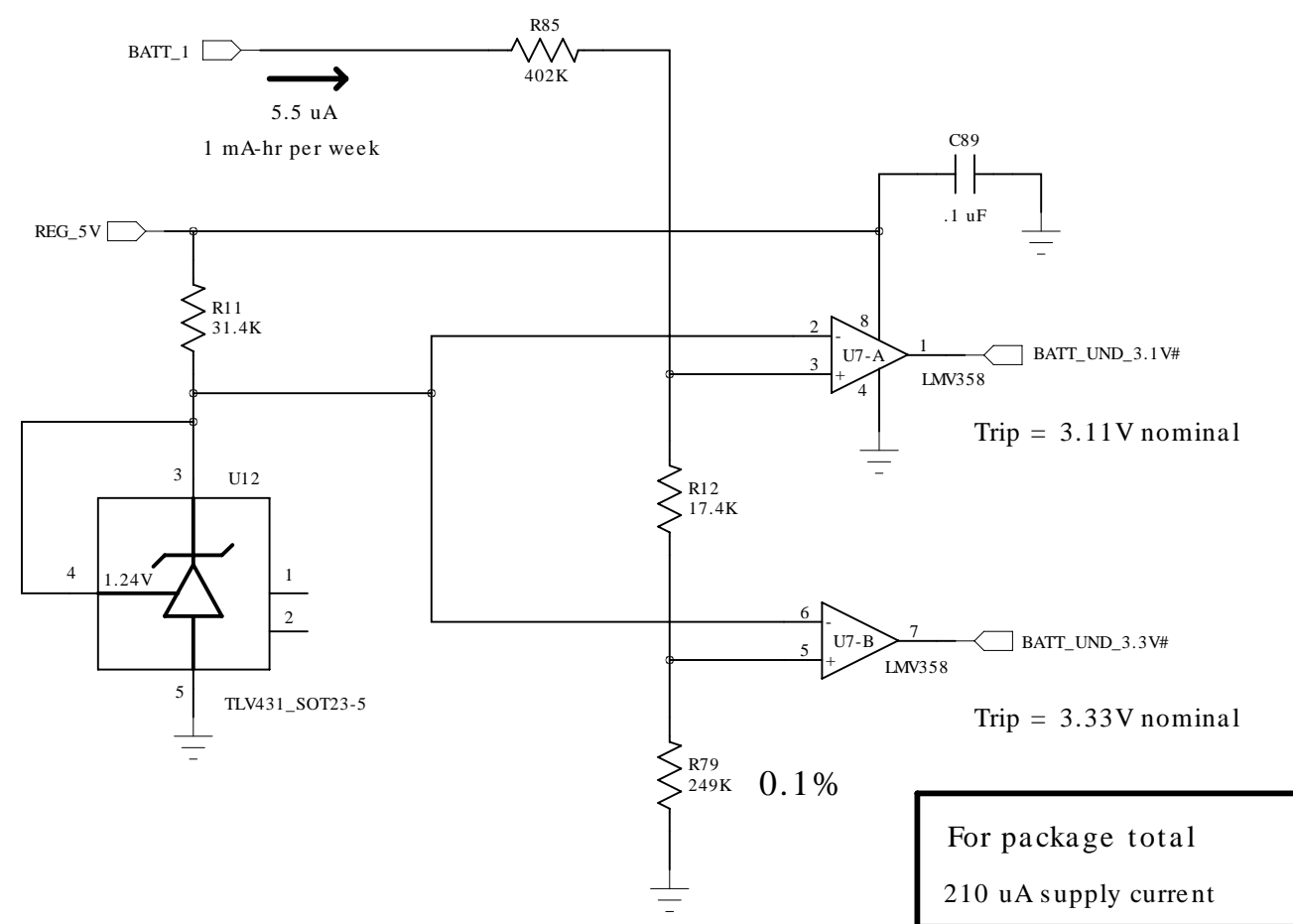


3.3V Reg.

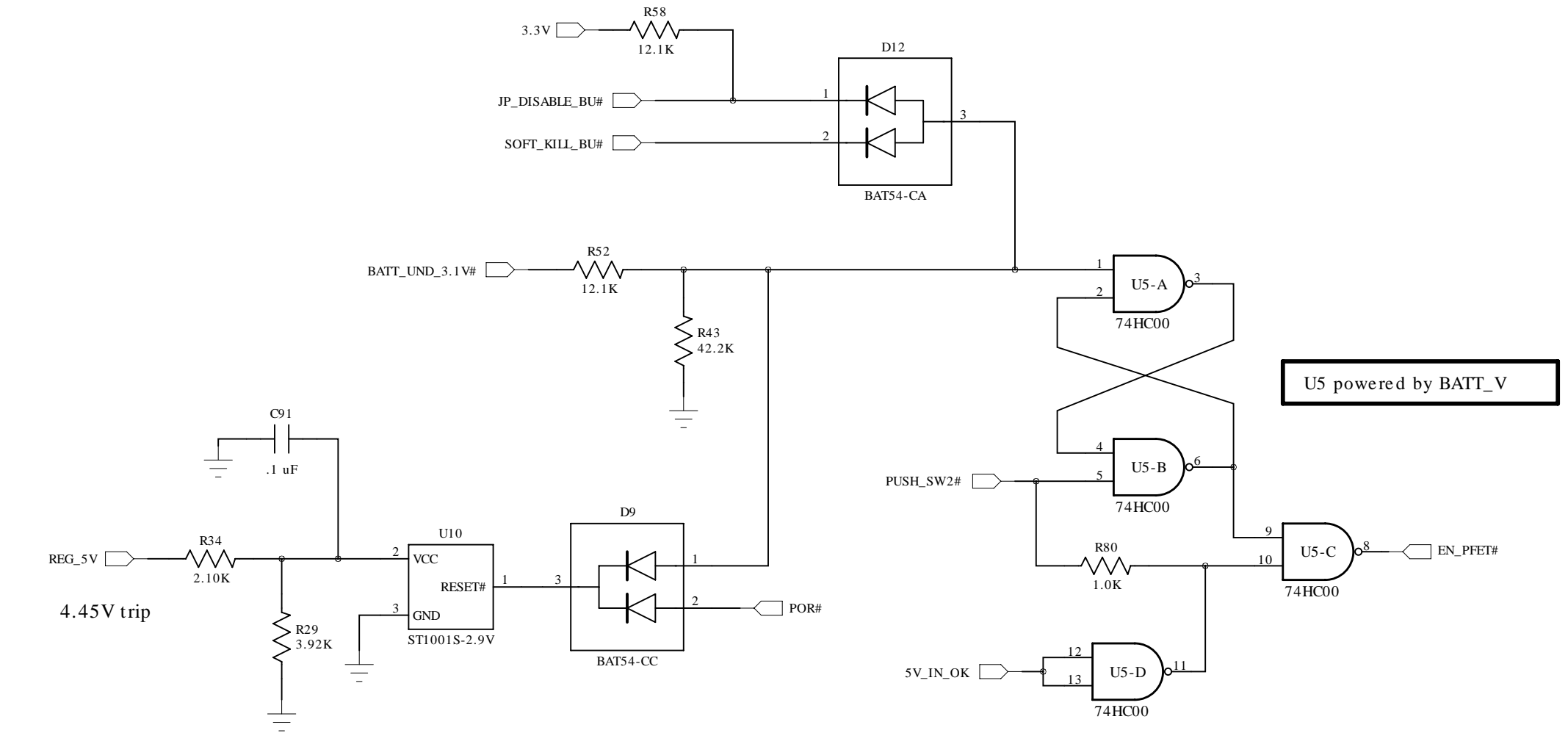


Technologic Systems		Feb. 1, 2013
Title: TS-BAT_10 5V Power, and 3.3V Reg.		
Rev: A	Designer	Sheet 2 of 4

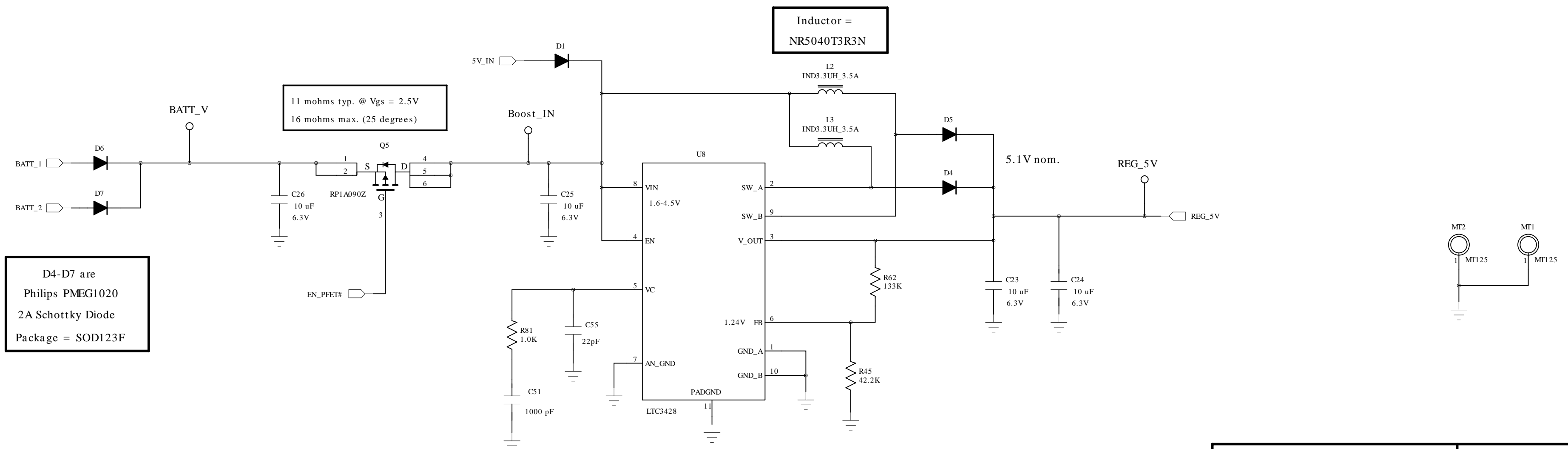
Low Battery Detector



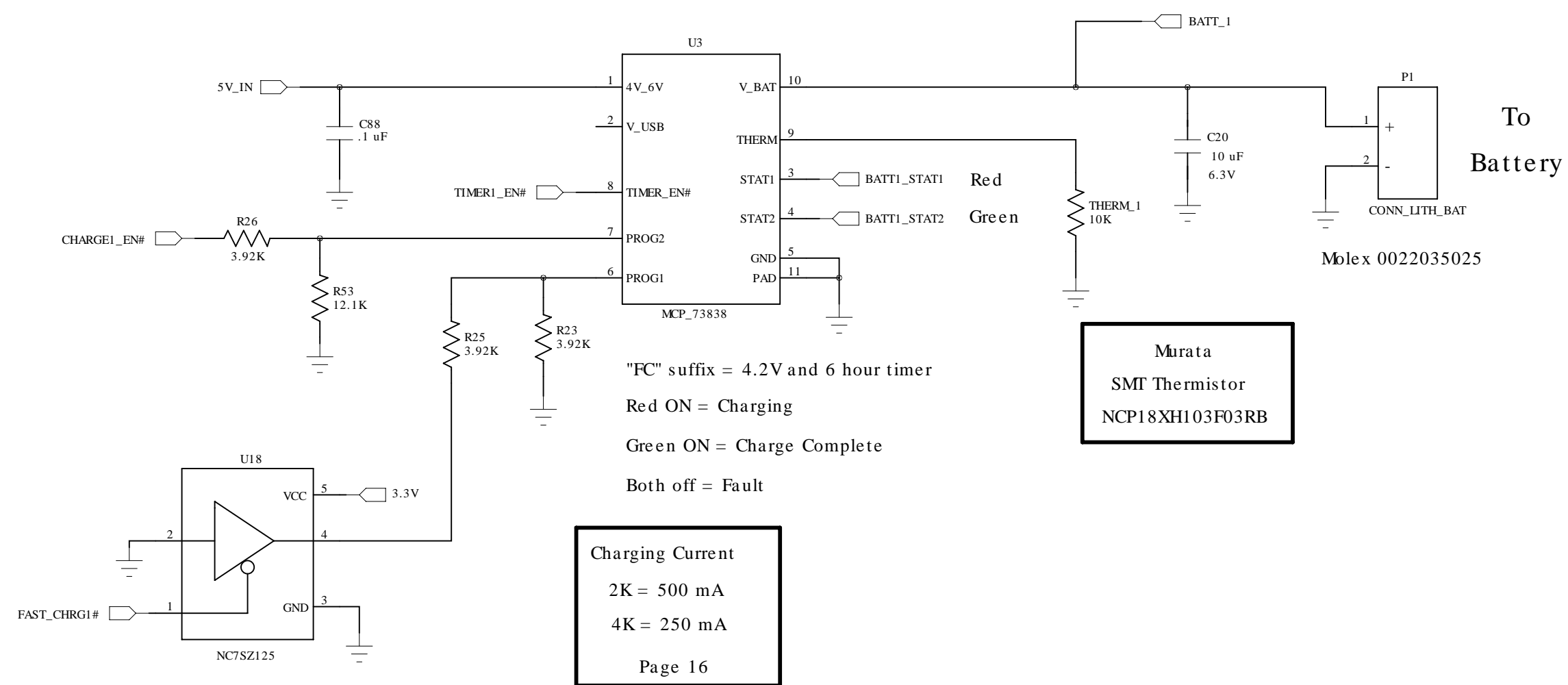
Battery Latch



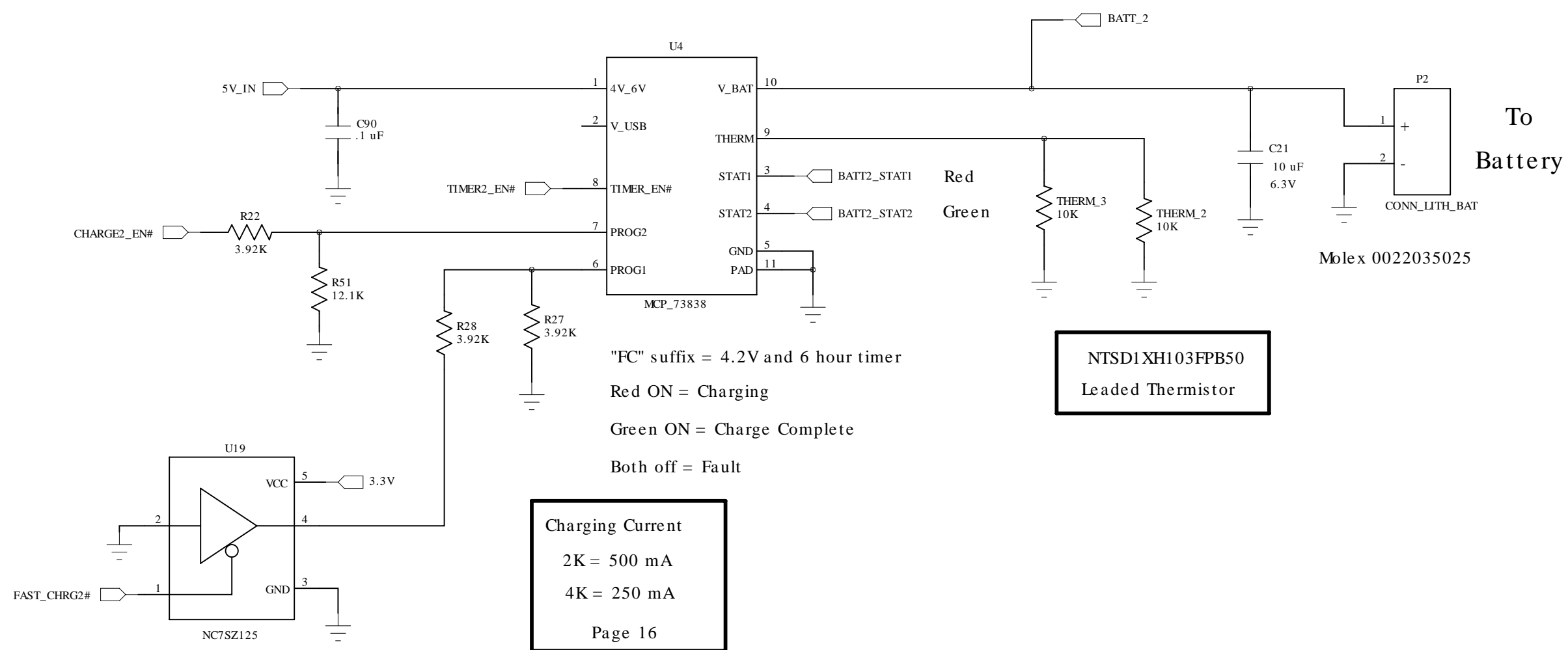
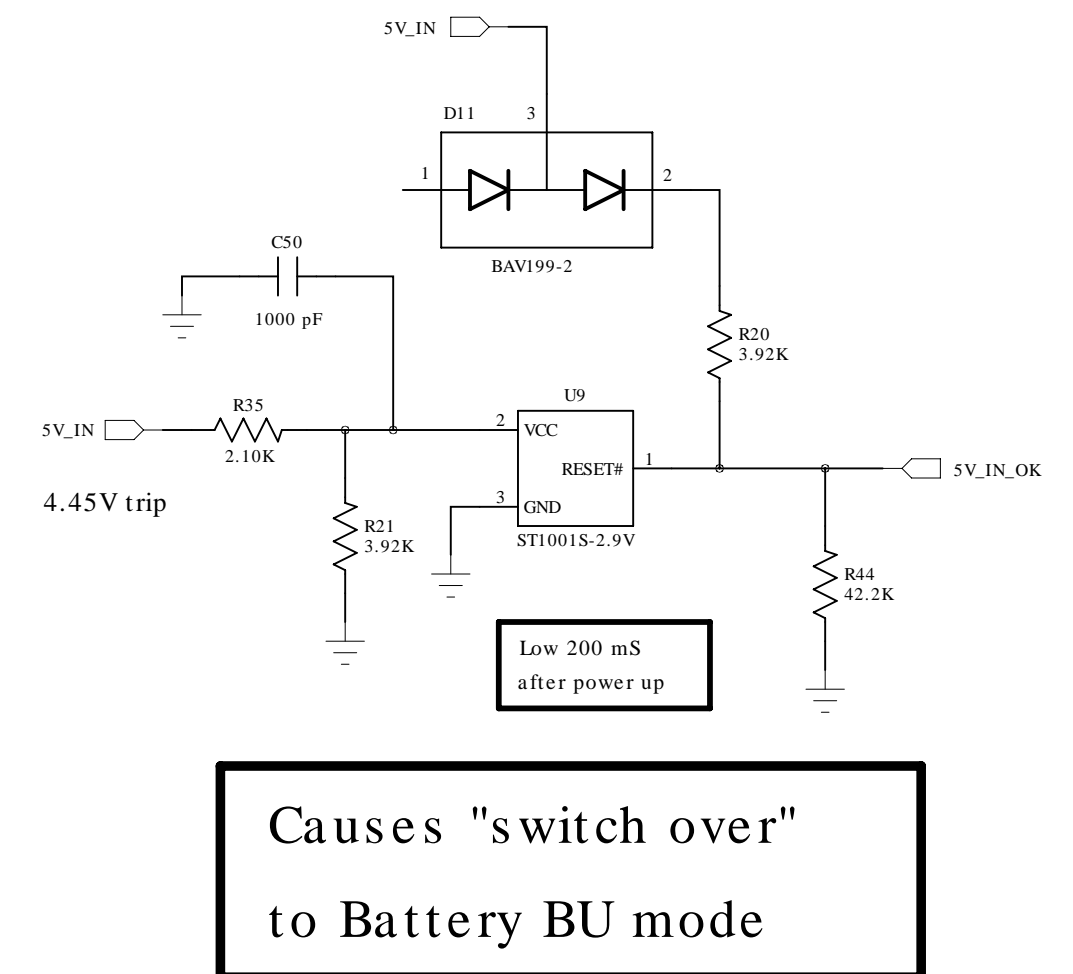
Boost Regulator



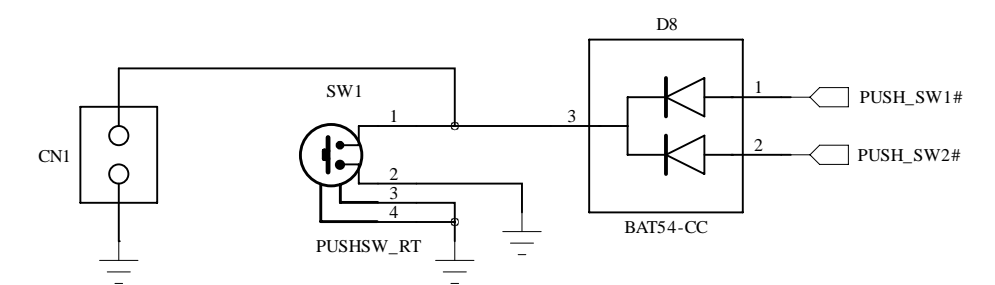
Battery Charger



5V IN Fail Detector



Right Angle Push Switch



Battery BU ON/OFF