

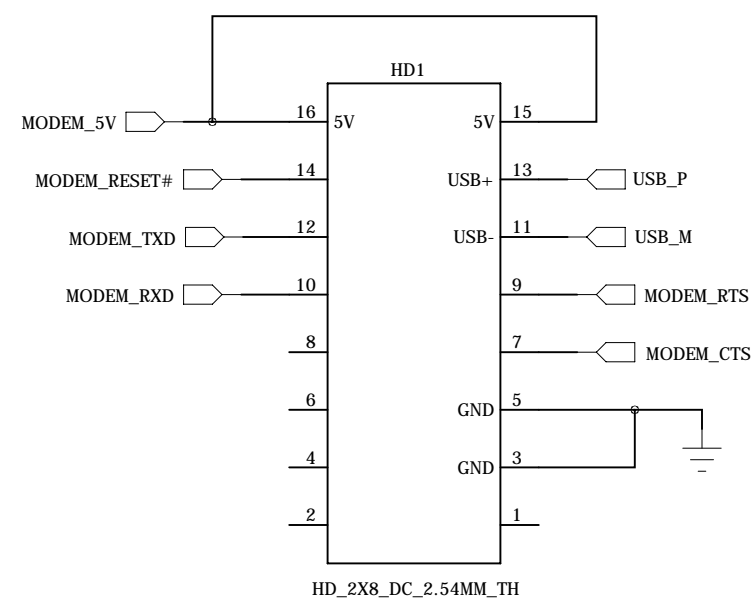
TS-DC767-MT = Daughter Card for Multitech Modems

TS-Multi-DC Rev.B to TS-DC767-MT Rev.A

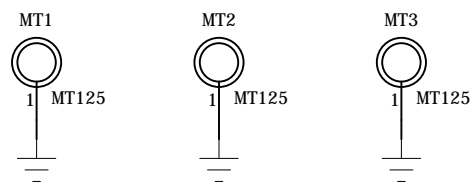
Changes:

- Change board outline for Relays on TS-7680
- Changed HD1 pinout so that POE compatible
- Moved Modem_Reset# to pin 14
- Moved Modem_RTS to pin 9

Cell Modem Interface



POE uses pins 1, 2, 4, 6, 8



Multitech Modems

Inputs (TXD) are always TTL compatible
 Outputs (RXD) swing CMOS levels
 This means 0-5V if 5V powered

DTR and RTS are active low true Inputs

Modem

