

# TS-DC799-POE

This Daughter Card adds POE Power

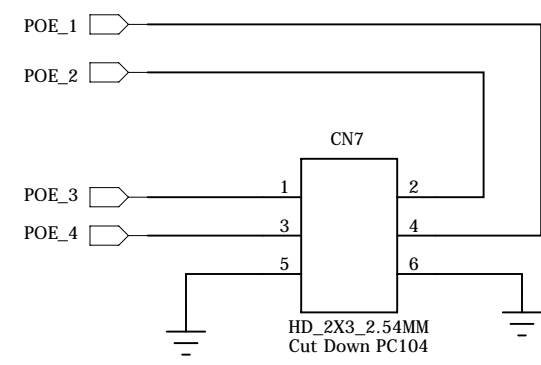
It can supply up to 22 watts (POE Plus)

TS-7990 should not need more than 10 watts

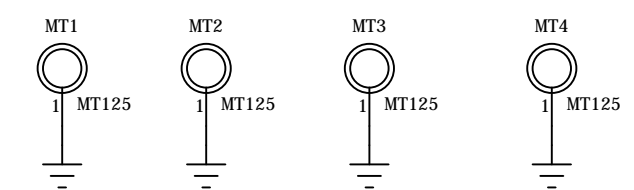
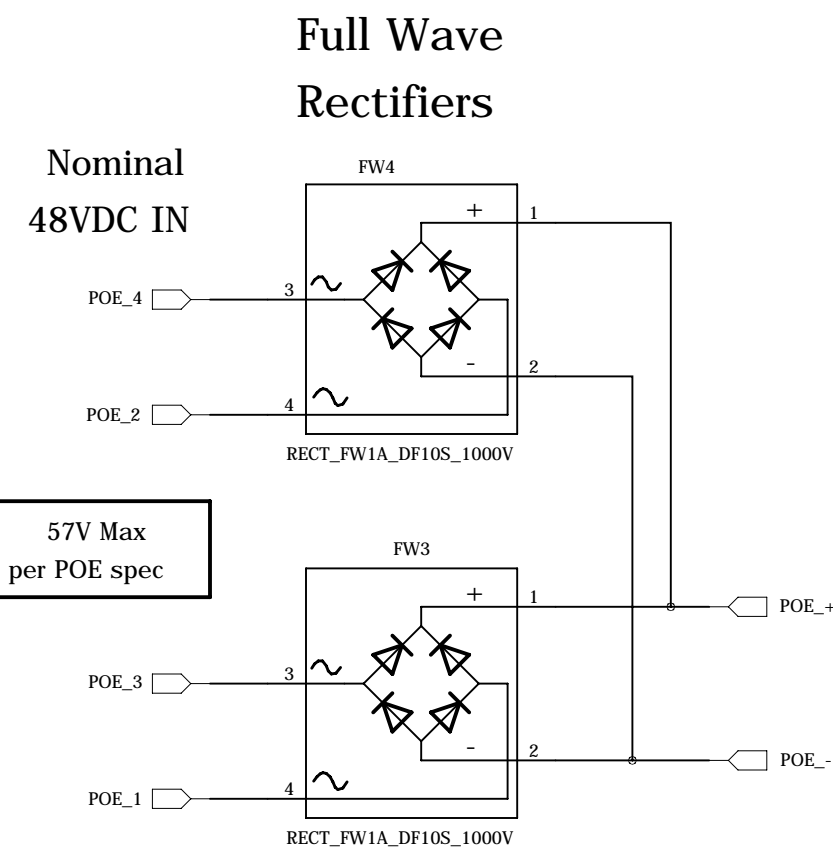
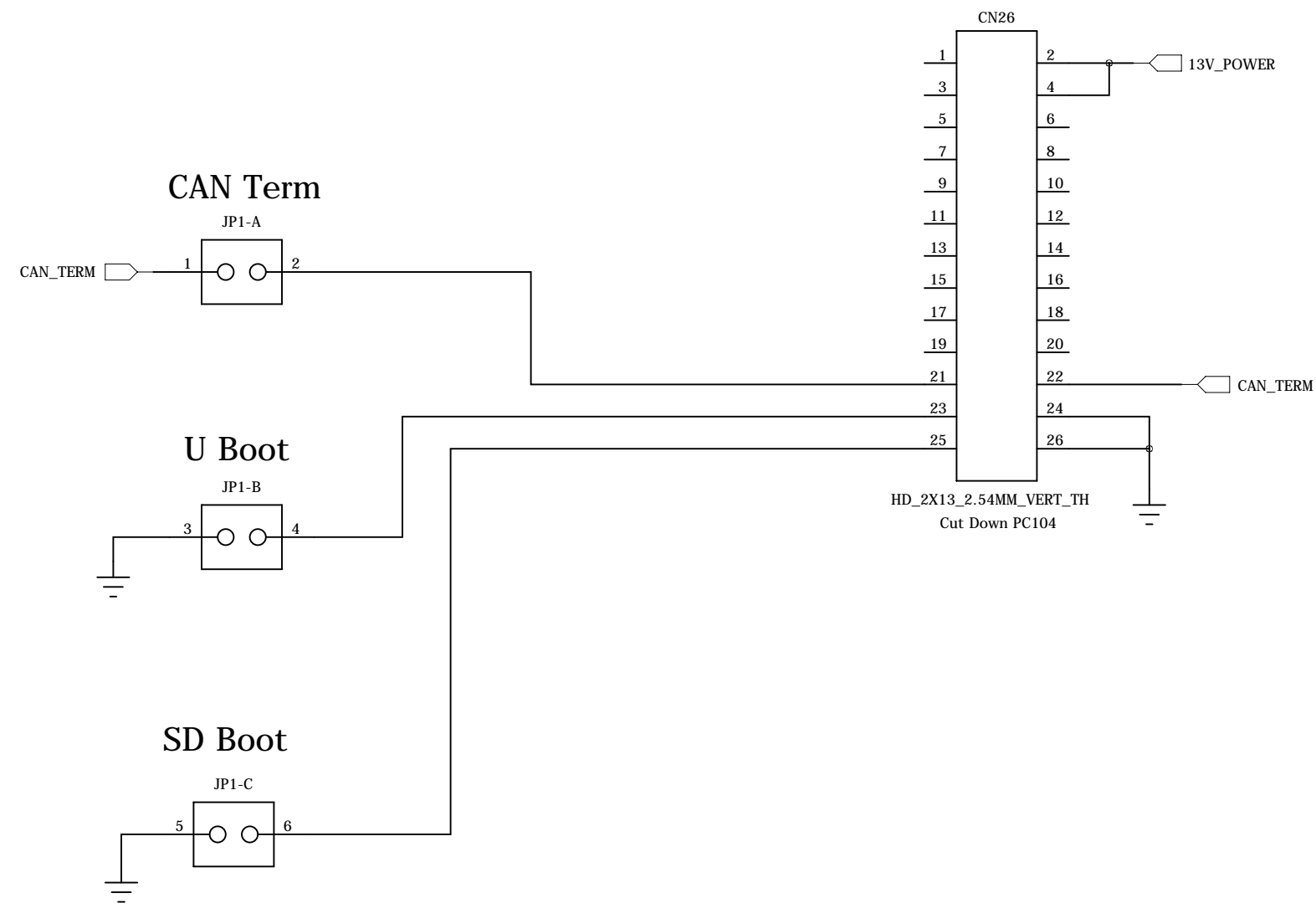
Technologic Systems	Date	Sept. 14, 2017
Title: TS-7990 DC for POE		
Rev: A	Designer	RLM
		Sheet 1 of 3

# TS-7990

## 2x13 Socket



POE Header



Technologic Systems	Date	Sept. 14, 2017
Title: TS-7990 DC for POE		
Rev: A	Designer	RLM
		Sheet 2 of 3

# POE Side 48V DC Input

# Reg. 13V Out

