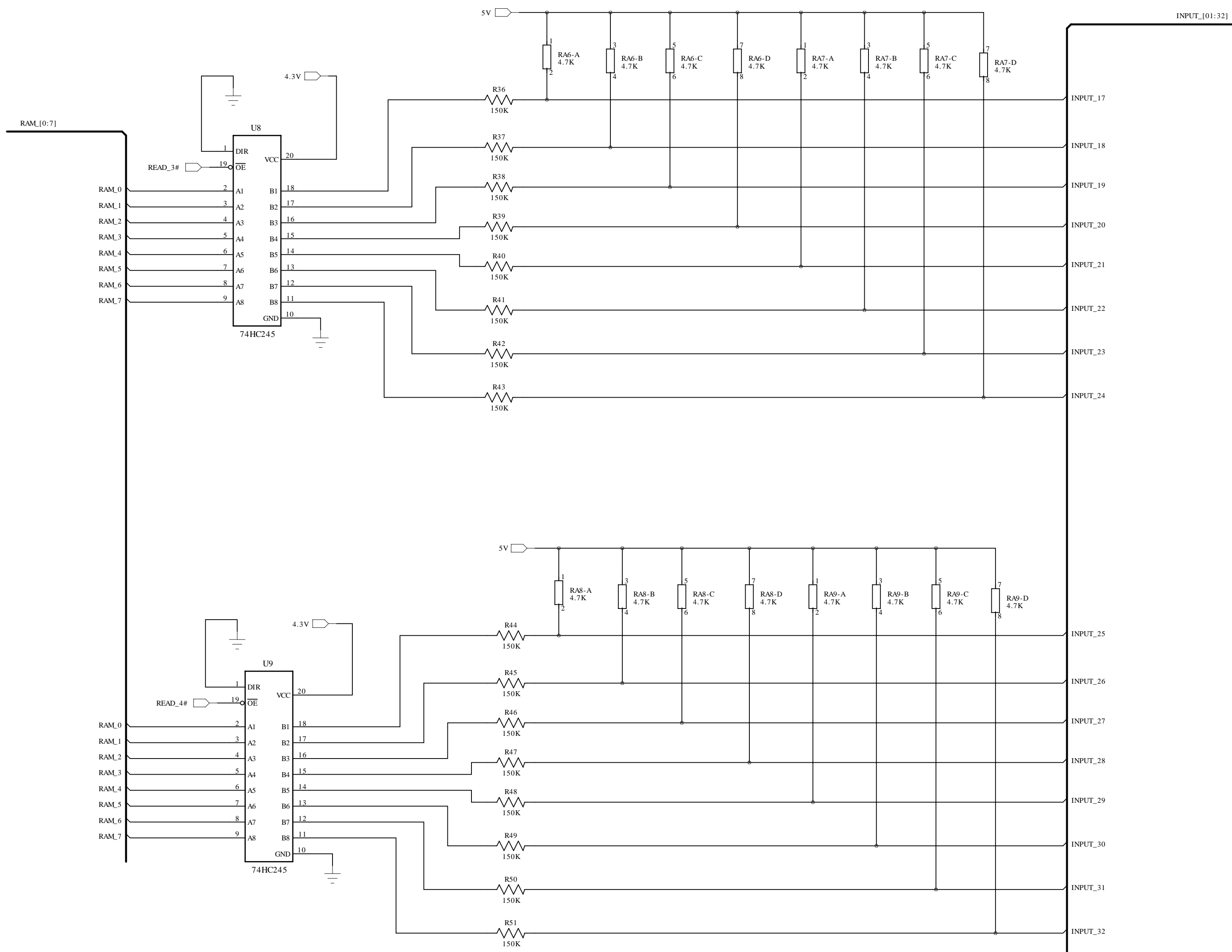
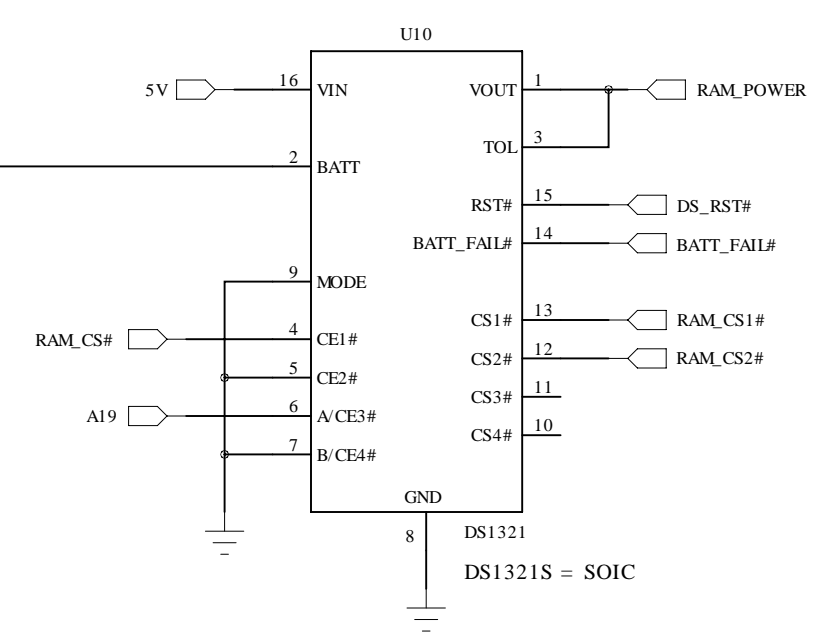
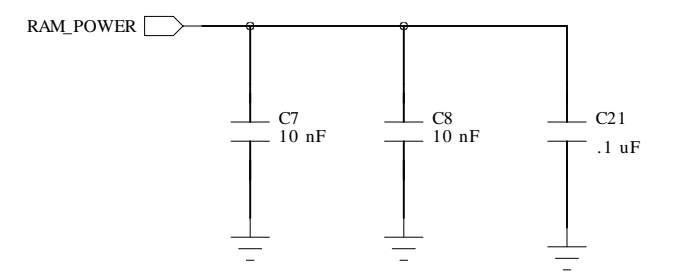


Technologic Systems		Date Dec. 31, 2005	
Title: TS-DIO64 Inputs			
Rev: 1.0	Designer RLM	Sheet 2 of 5	

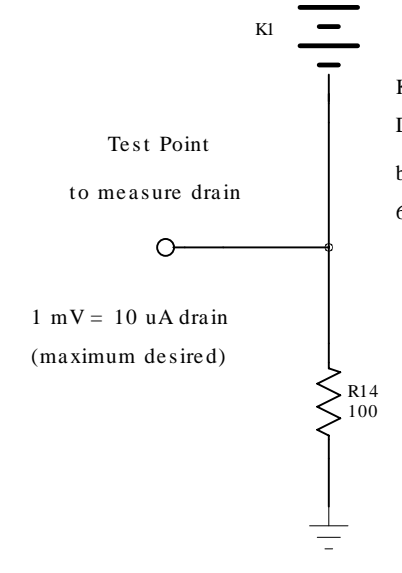


Renasas low power SRAM
Part # R1LP0408CSP-5SC
5V part

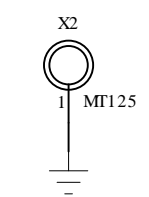
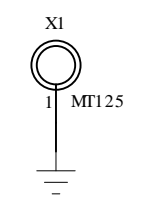
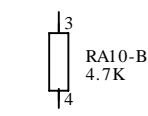
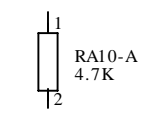
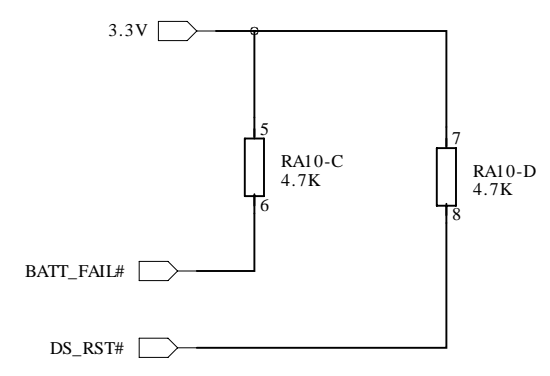
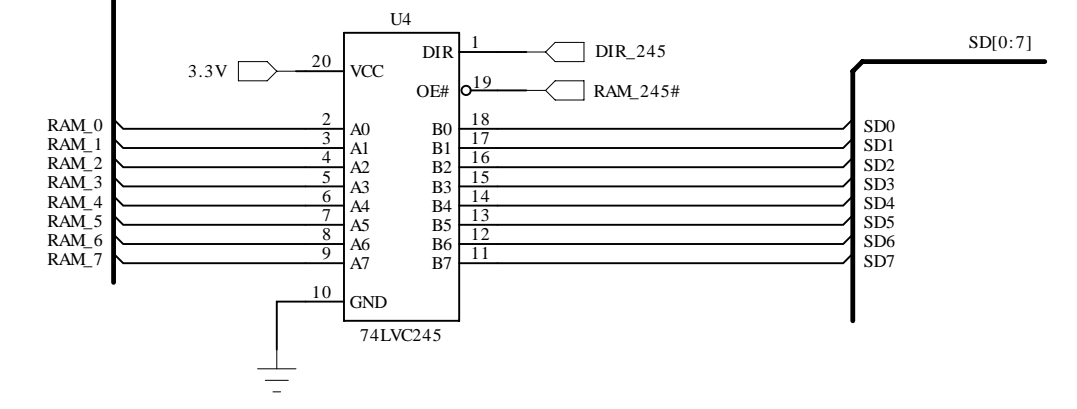
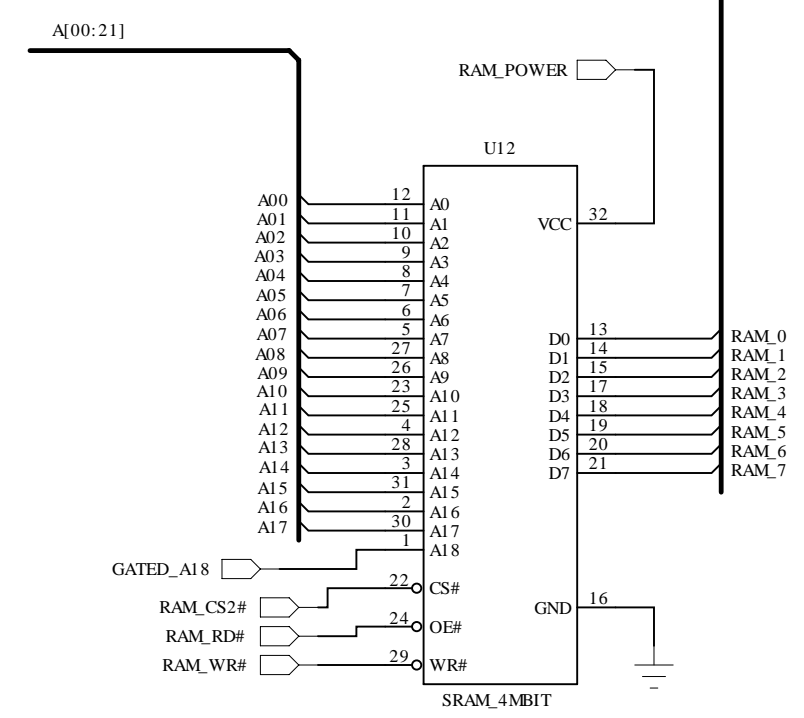
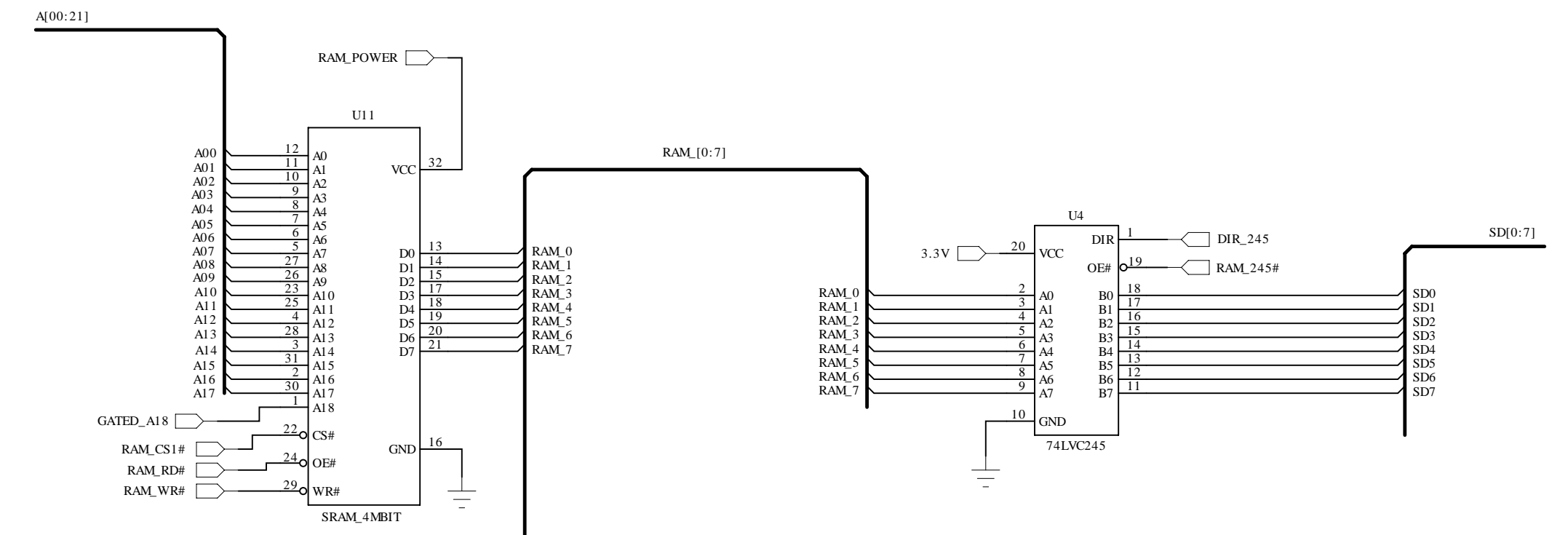


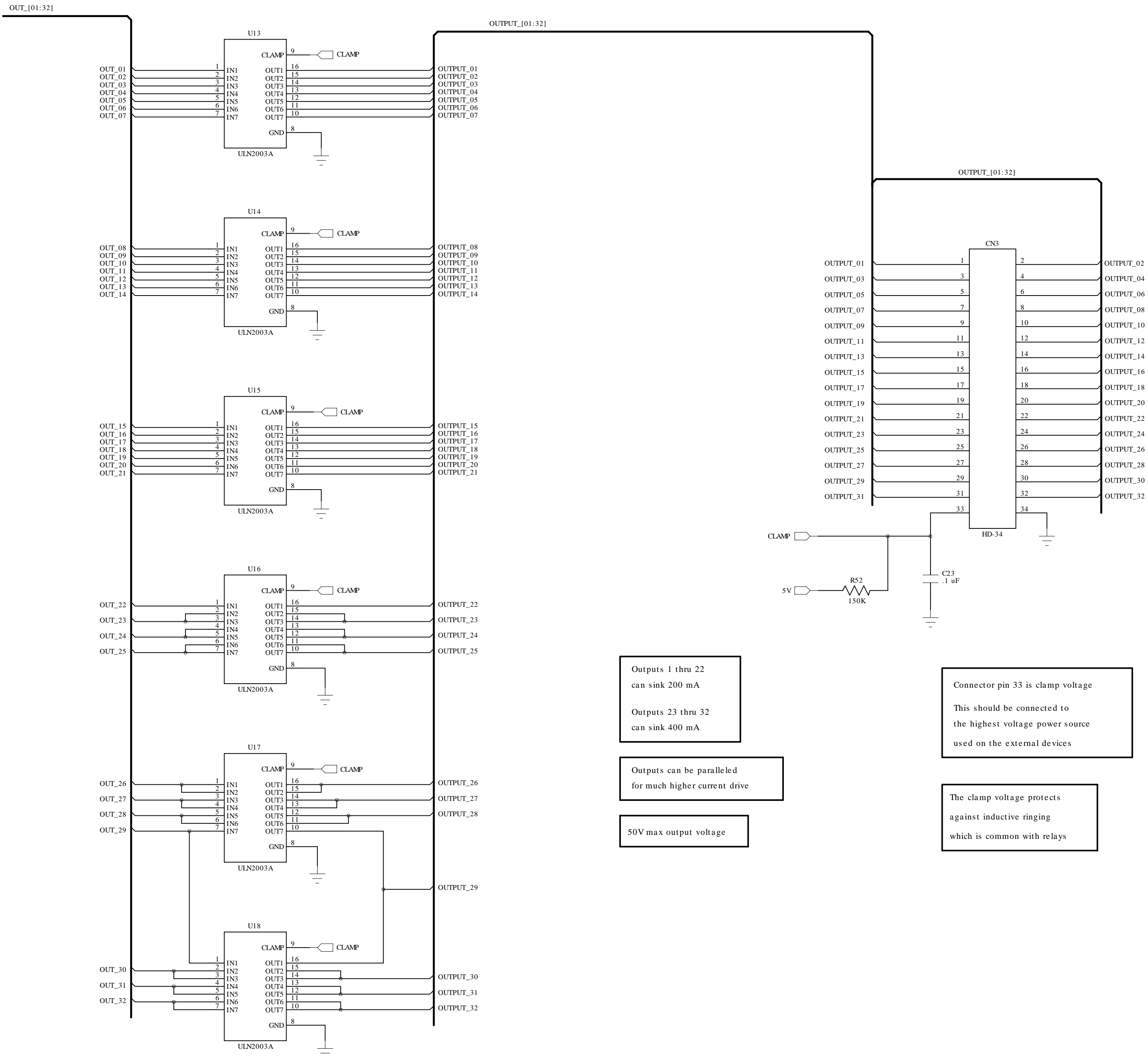
TOL tied to Vout =
Reset trip is 4.25 to 4.50 V
This is also when the battery
is switched in or out

Mode = GND at power up --> 8-bit mode
Mode = Vout at power up --> 16-bit mode



Keystone # 1025
Digikey # 1025K-ND
battery = CR2450
600 mA-hour





Outputs 1 thru 22
can sink 200 mA

Outputs 23 thru 32
can sink 400 mA

Outputs can be paralleled
for much higher current drive

50V max output voltage

Connector pin 33 is clamp voltage

This should be connected to
the highest voltage power source
used on the external devices

The clamp voltage protects
against inductive ringing
which is common with relays