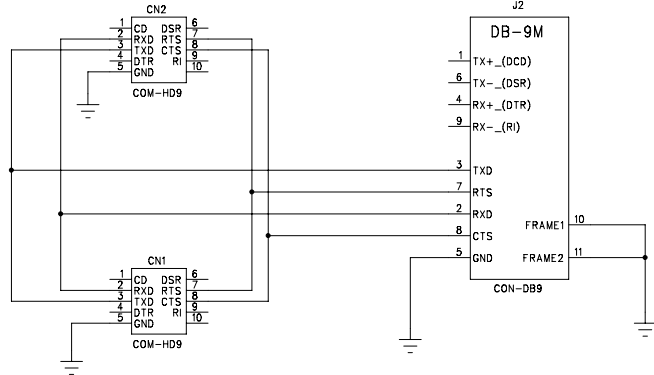
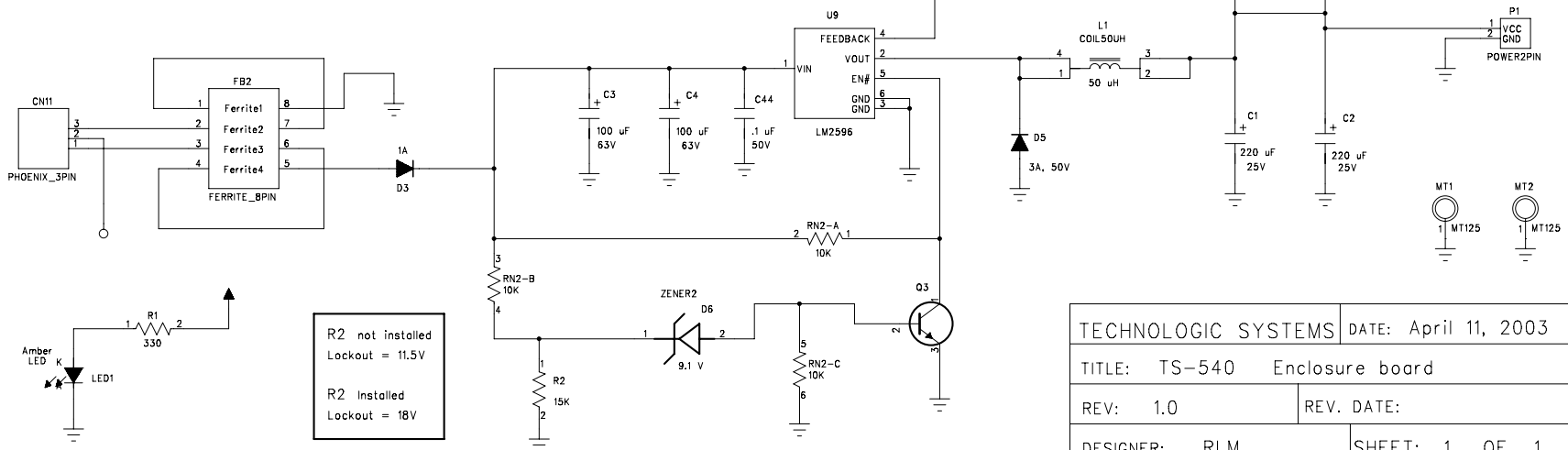
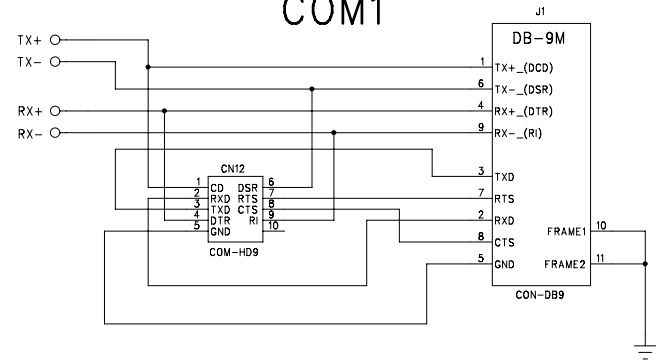


COM2



COM2

COM1



R2 not installed  
Lockout = 11.5V  
R2 Installed  
Lockout = 18V

TECHNOLOGIC SYSTEMS		DATE: April 11, 2003	
TITLE: TS-540 Enclosure board			
REV: 1.0		REV. DATE:	
DESIGNER: RLM		SHEET: 1 OF 1	