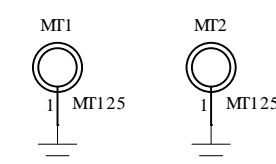
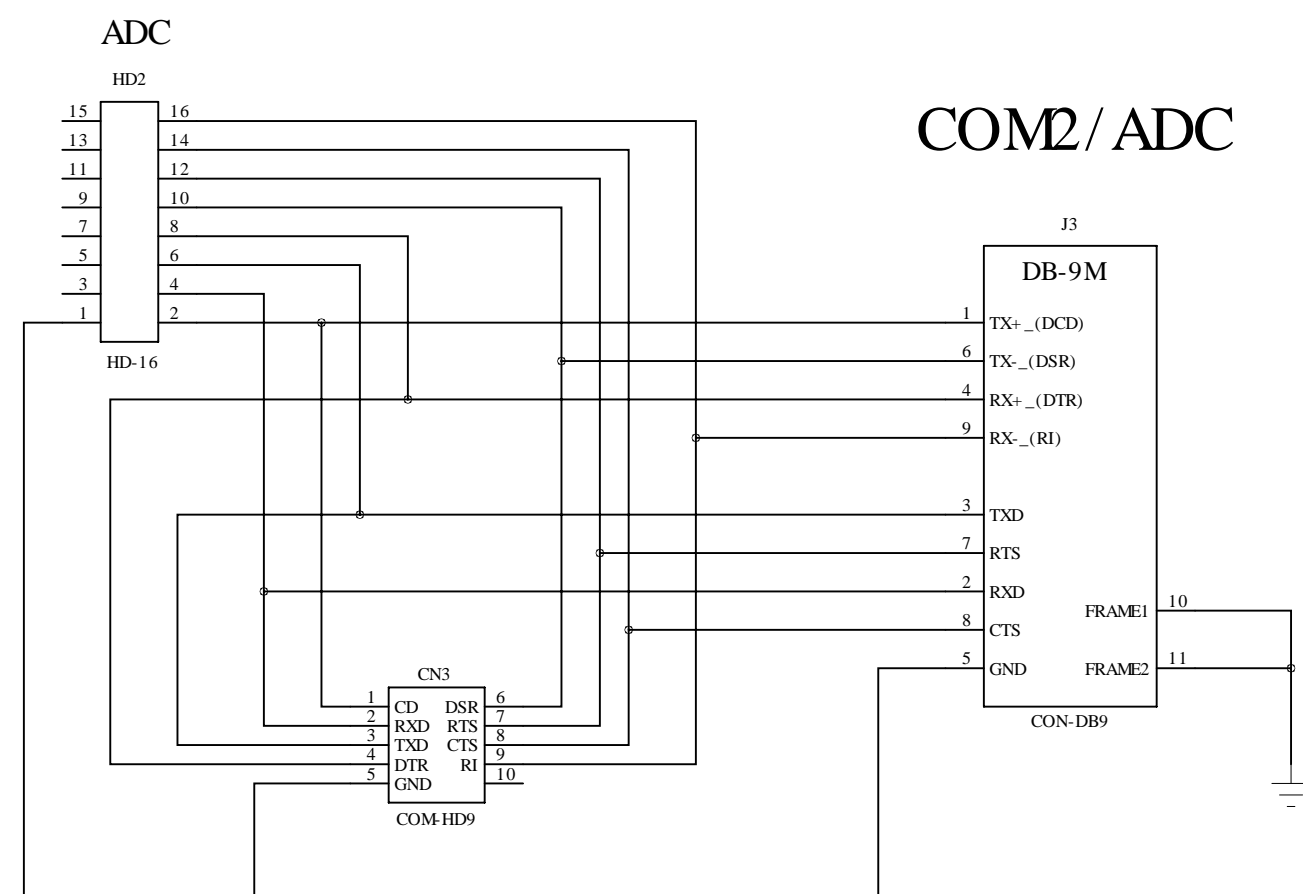
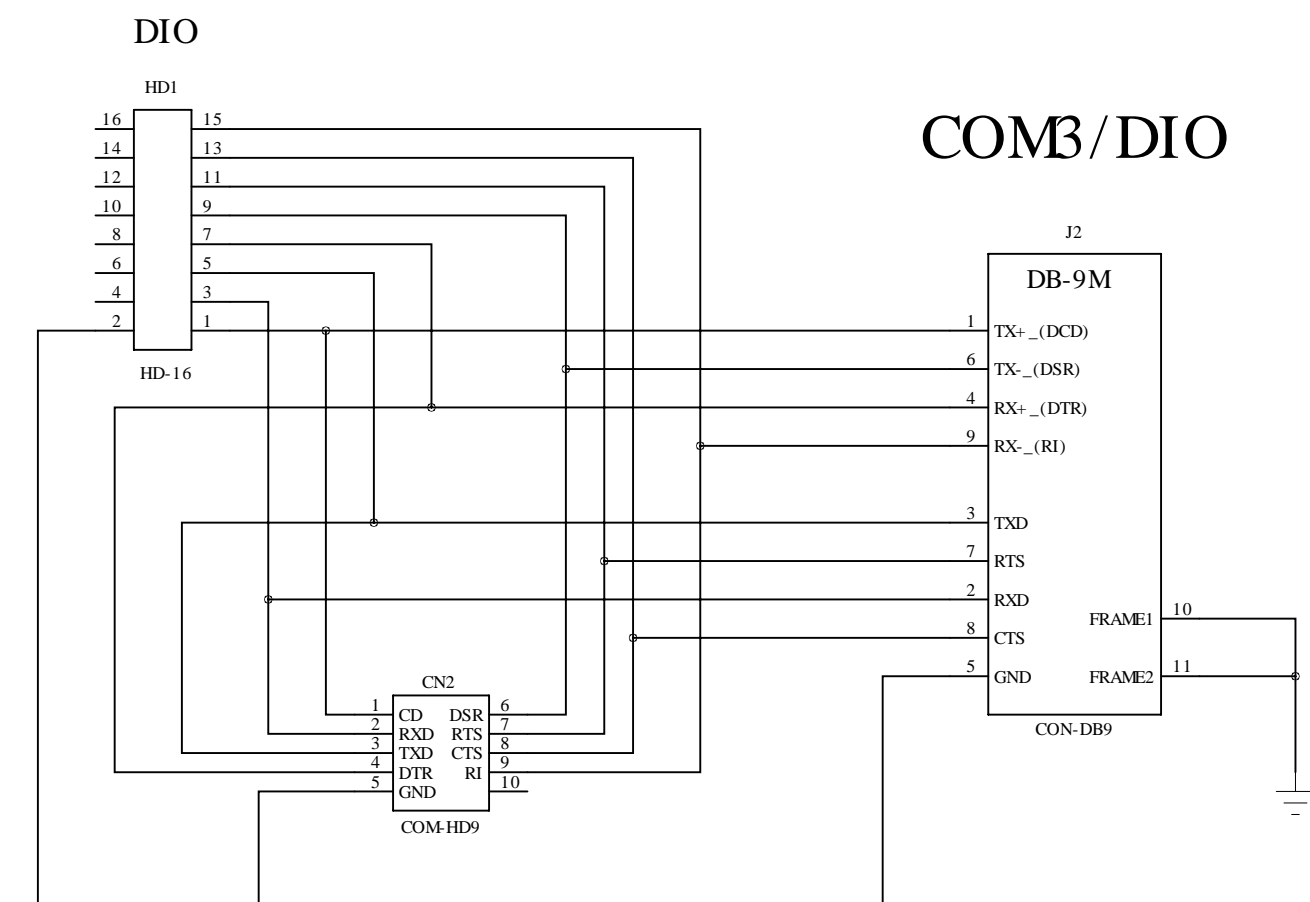
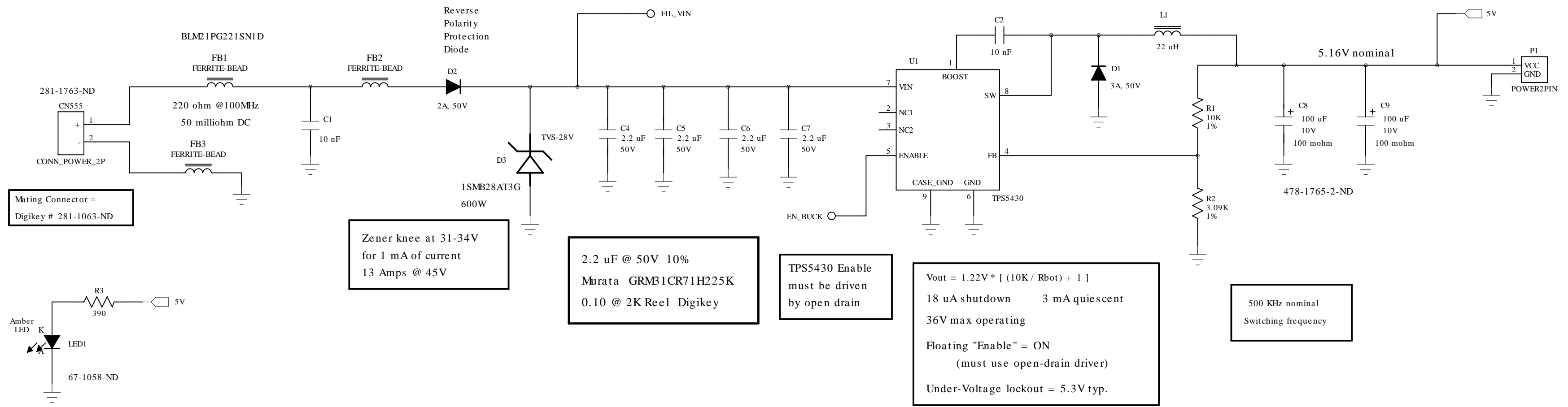


# 5V Power Supply (2.5 Amps)

8V-30V  
Power In



Technologic Systems	Date June 10, 2007
Title: TS-782 8V - 30V Input; 5V output	
Rev:	Designer RLM Sheet 1 of 1