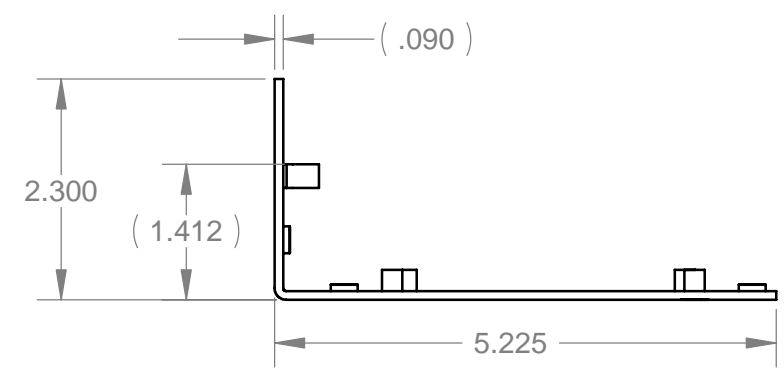
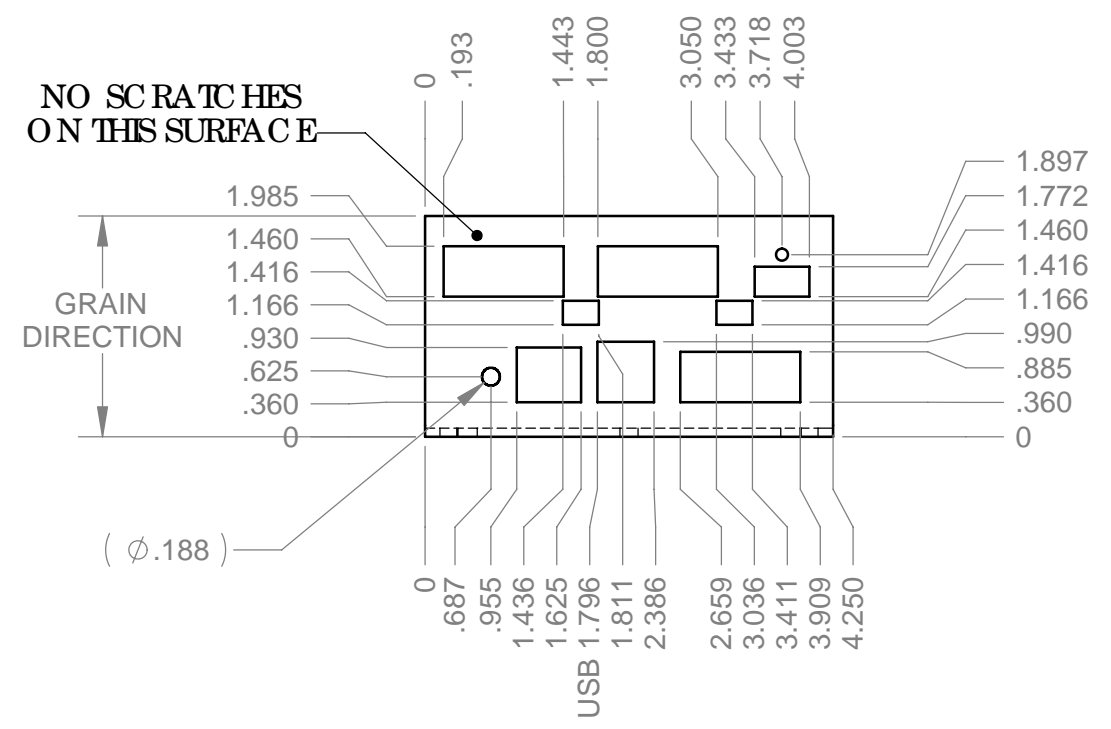
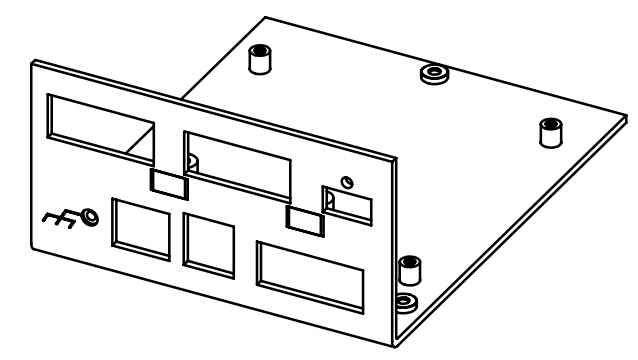
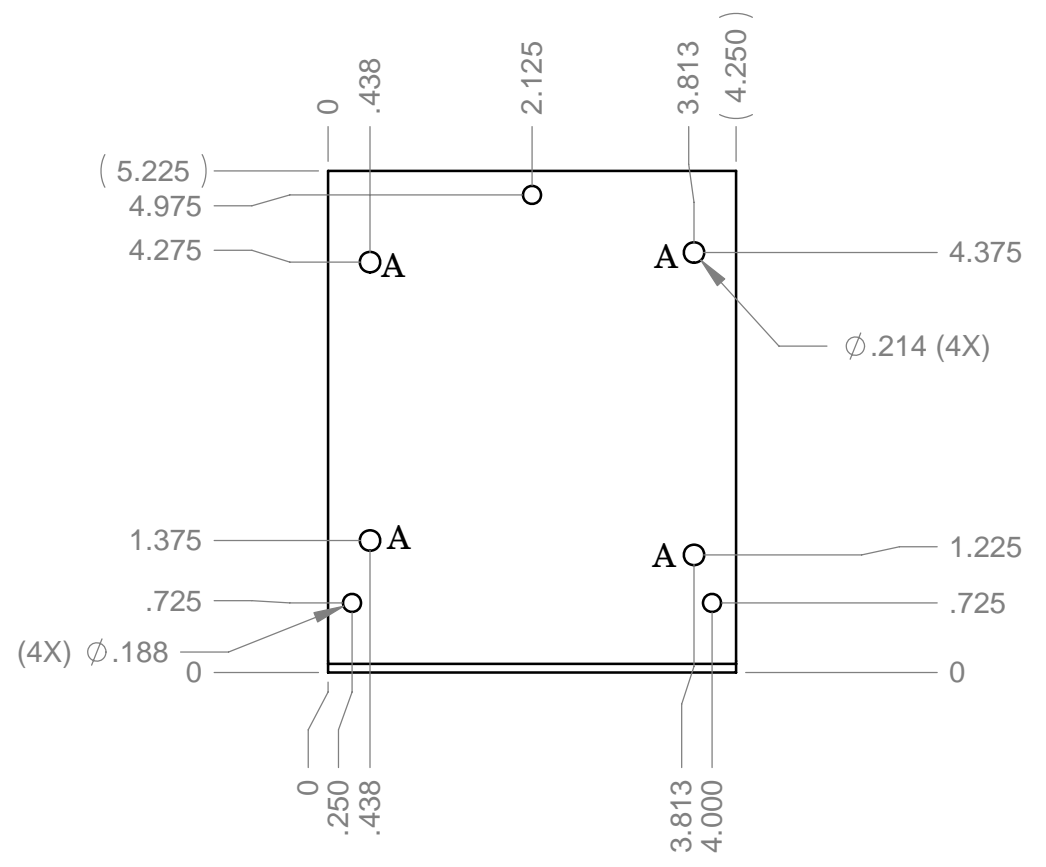


REVISIONS				
ZONE	REV.	DESCRIPTION	DATE	APPROVED



**GENERAL NOTES:**  
1. NONE

PROPRIETARY AND CONFIDENTIAL  
THE INFORMATION CONTAINED IN THIS DRAWING IS THE SOLE PROPERTY OF TECHNOLOGIC SYSTEMS, INC.. ANY REPRODUCTION IN PART OR AS A WHOLE WITHOUT THE WRITTEN PERMISSION OF TECHNOLOGIC SYSTEMS, INC., IS PROHIBITED.

UNLESS OTHERWISE SPECIFIED: DIMENSIONS ARE IN INCHES TOLERANCES: FRACTIONAL ± 1/64 ANG.: MACH ± .5° BEND ± 1° ONE PLACE DECIMAL ± .05 TWO PLACE DECIMAL ± .02 THREE PLACE DECIMAL ± .010	NAME	DATE	480-837-5200 480-837-5300 (FAX)
	INTERPRETED METRIC TOLERANCING PER:		
MATERIAL ALUM. 5052-H32 .090 THK.	COMMENTS:		TITLE: <b>BOTTOM/BACK</b>
FINISH <b>CLEAR CHEM FILM</b>	SIZE <b>B</b>	DWG. NO. <b>TS720-2</b>	REV
APPLICATION NEXTASSY USED ON	SCALE 1:2	WEIGHT	SHEET 1 OF 3

D

D

C

C

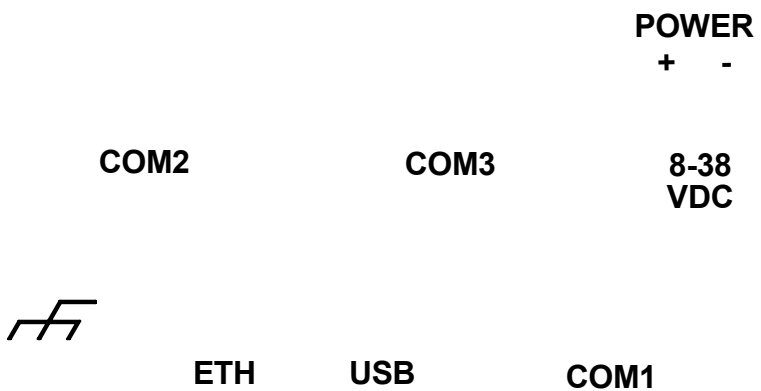
B

B

A

A

REVISIONS				
ZONE	REV.	DESCRIPTION	DATE	APPROVED



**GENERAL NOTES:**

- 1. NONE

PROPRIETARY AND CONFIDENTIAL  
 THE INFORMATION CONTAINED IN THIS DRAWING IS THE SOLE PROPERTY OF TECHNOLOGIC SYSTEMS, INC.. ANY REPRODUCTION IN PART OR AS A WHOLE WITHOUT THE WRITTEN PERMISSION OF TECHNOLOGIC SYSTEMS, INC., IS PROHIBITED.

UNLESS OTHERWISE SPECIFIED:		NAME	DATE	<b>TECHNOLIGIC SYSTEMS, INC.</b> 16610 E. Laser Drive, Suite # 10 Fountain Hills, AZ 85268 480-837-5200 480-837-5300 (FAX)
DIMENSIONS ARE IN INCHES		DRAWN	J. YESENSKI 07/28/04	
TOLERANCES:		CHECKED	B. MILLER 07/28/04	
FRACTIONAL ± 1/64		ENG APPR.		
ANG.: MACH ± .5° BEND ± 1°		MFG APPR.		
ONE PLACE DECIMAL ± .05		Q.A.		TITLE: <b>BOTTOM/BACK ARTWORK</b>
TWO PLACE DECIMAL ± .02		COMMENTS:		
THREE PLACE DECIMAL ± .010				SIZE DWG. NO. REV <b>B</b> TS720-2 -
INTERPRET GEOMETRIC TOLERANCING PER: ASME Y14.5M				SCALE 1:1 WEIGHT SHEET 2 OF 3
MATERIAL: ALUM 5052-H32 .090 THK. FINISH				
	TS-720			
NEXT ASSY	USED ON			
APPLICATION				
		SEE PAGE 1		

8

7

6

5

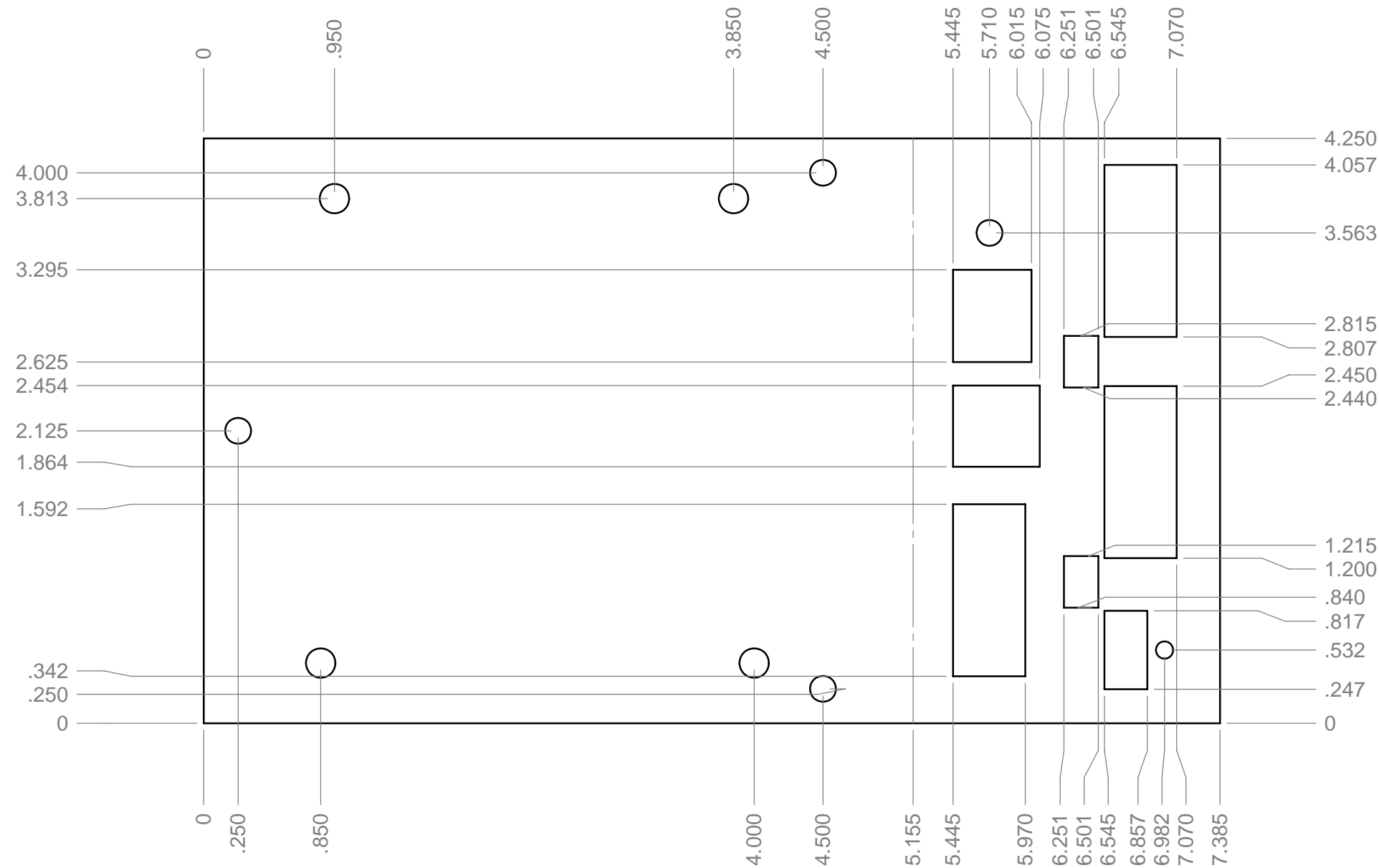
4

3

2

1

REVISIONS				
ZONE	REV.	DESCRIPTION	DATE	APPROVED



**GENERAL NOTES:**

- 1. B/R = 1/32" B/D = .140 @ 90°.

PROPRIETARY AND CONFIDENTIAL  
 THE INFORMATION CONTAINED IN THIS DRAWING  
 IS THE SOLE PROPERTY OF TECHNOLOGIC SYSTEMS,  
 INC.. ANY REPRODUCTION IN PART OR AS A  
 WHOLE WITHOUT THE WRITTEN PERMISSION OF  
 TECHNOLOGIC SYSTEMS, INC., IS PROHIBITED.

		UNLESS OTHERWISE SPECIFIED: DIMENSIONS ARE IN INCHES TO TOLERANCES: FRACTIONAL ± 1/64 ANG.: MACH ± .5° BEND ± 1° ONE PLACE DECIMAL ± .05 TWO PLACE DECIMAL ± .02 THREE PLACE DECIMAL ± .010		NAME	DATE
		INTERPRET GEOMETRIC TOLERANCING PER:			
		MATERIAL <b>SEE PAGE 1</b>	COMMENTS:		
		FINISH <b>SEE PAGE 1</b>			
NEXT ASSY	USED ON				
APPLICATION					
			480-837-5200 480-837-5300 (FAX)		
			TITLE: <b>BOTTOM/BACK (FLAT PATTERN)</b>		
			SIZE	DWG. NO.	REV
			<b>B</b>	<b>TS720-2</b>	
			SCALE: 1.25:1	WEIGHT:	SHEET 3 OF 3

8

7

6

5

4

3

2

1