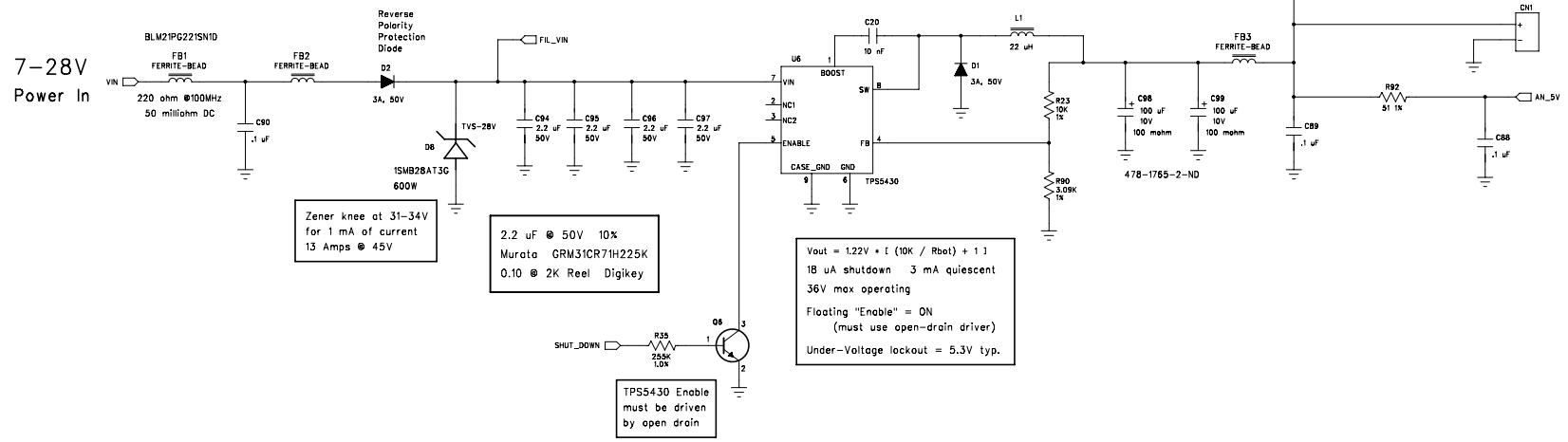
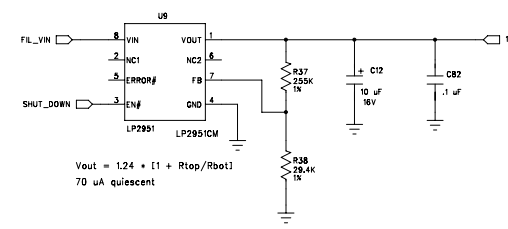


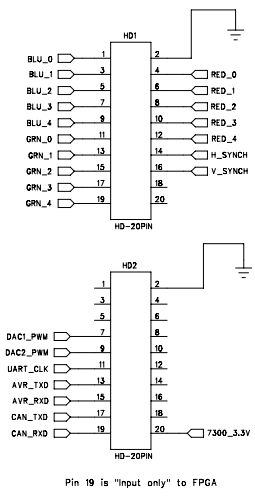
### 5V Power Supply (2 Amps)



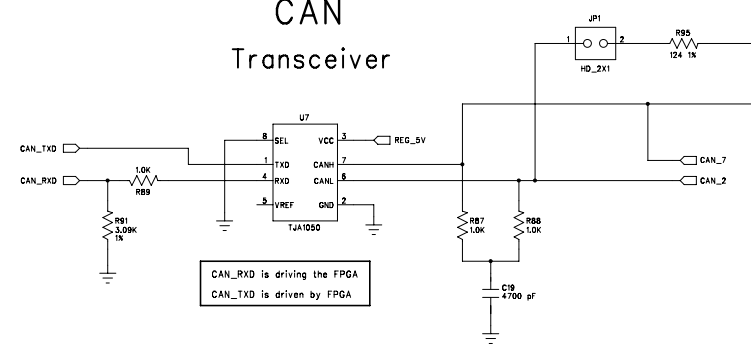
### 12V Regulator for TLC083



### 40-pin to TS-7300

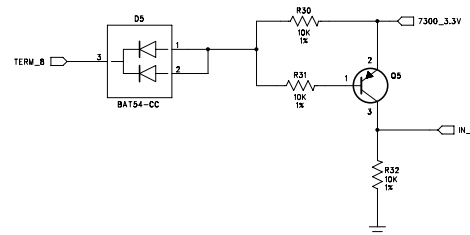
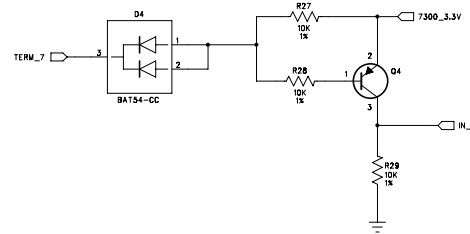
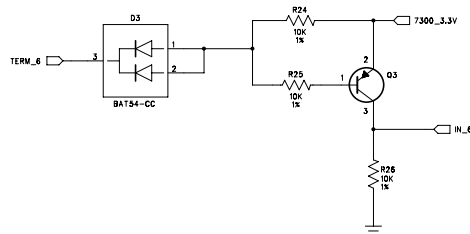


### CAN Transceiver

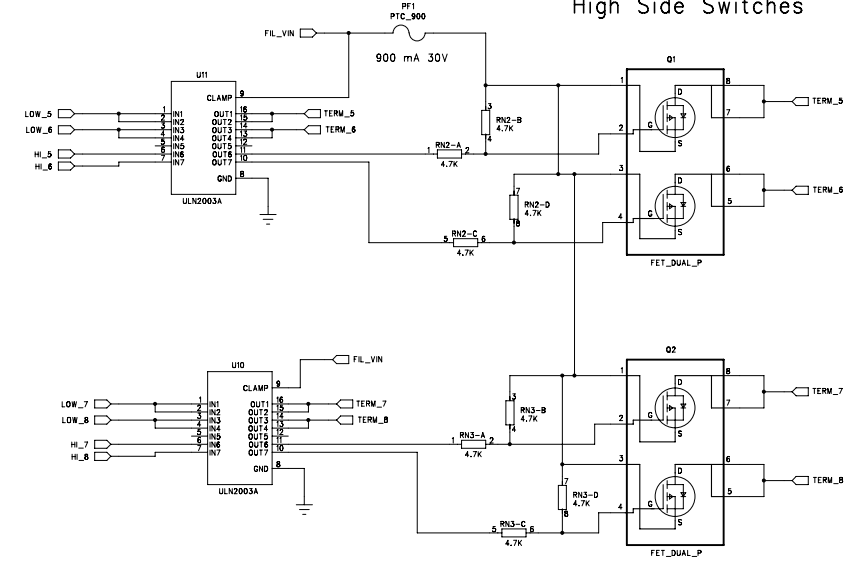


|                               |                           |
|-------------------------------|---------------------------|
| Technologic Systems           | Date July 9, 2006         |
| Title: Power, CAN transceiver |                           |
| Rev:                          | Designer RLM Sheet 2 of 3 |

### Digital Inputs



### High Side Switches



IRF 7306 = 30V, 100 mohm  
 IRF 7316 = 30V, 58 mohm  
 IRF 7342 = 55V, 105 mohm

### Thermistor -- Resettable

|                     |  |                       |
|---------------------|--|-----------------------|
| LittleFuse          | RLD30P090 = 900mA 30V 200 mil lead space |                       |
|                     | RLD30P110 = 1100mA 30V                   |                       |
|                     | RLD60P090 = 900mA 60V                    | Add "F" for Lead-Free |
|                     | RLD60P110 = 1100mA 60V                   |                       |
| Bourns              | MF-R090 = 900mA 60V 200 mil lead space   |                       |
|                     | MF-RX110 = 1100mA 60V                    |                       |
|                     | Stock Digkey .36/500 .45/100             |                       |
| Raychem             | RUE090 = 900mA 33V 200 mil lead space    |                       |
|                     | RXE090 = 900mA 72V                       |                       |
| TTI, Mouser, Digkey | Both ore .30/500                         |                       |

### Rear Panel Connector

