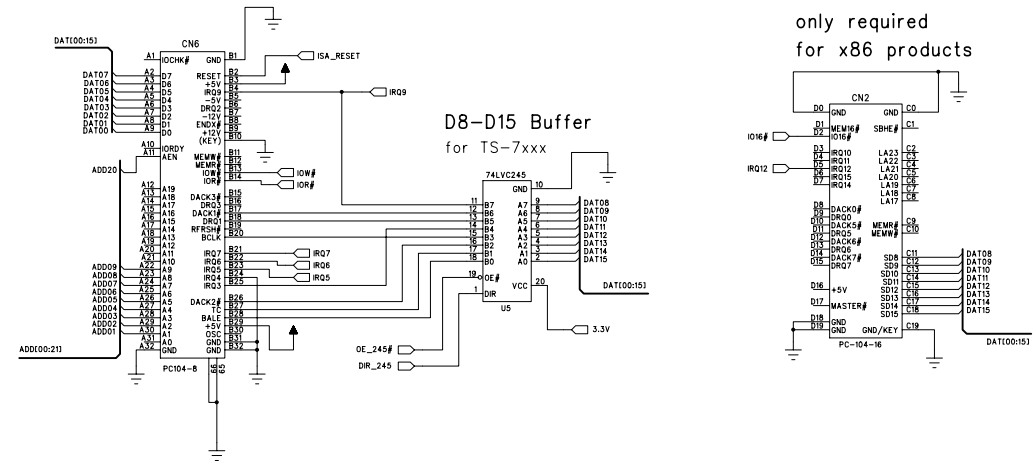
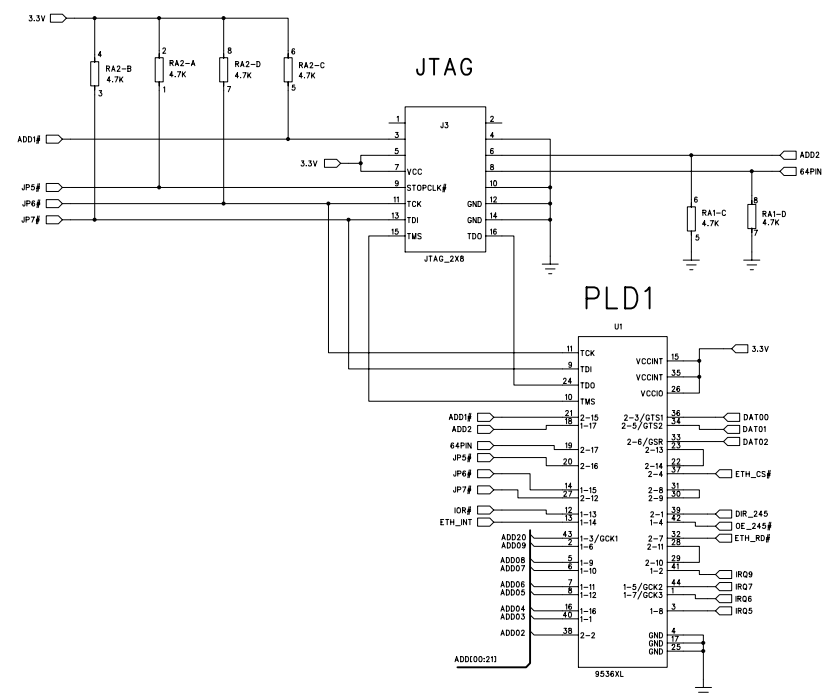
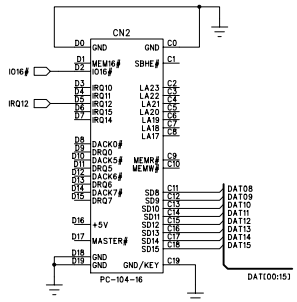


Technologic Systems	Date Sept. 23, 2004
Title: TS-ETH10 Power, Ethernet	
Rev: 1.0	Designer RLM Sheet 1 of 2

PC/104 Connectors



only required
for x86 products



Technologic Systems	Date	Sept. 23, 2004
Title:	TS-ETH10 PC/104, PLD	
Rev:	1.0	Designer RLM Sheet 2 of 2