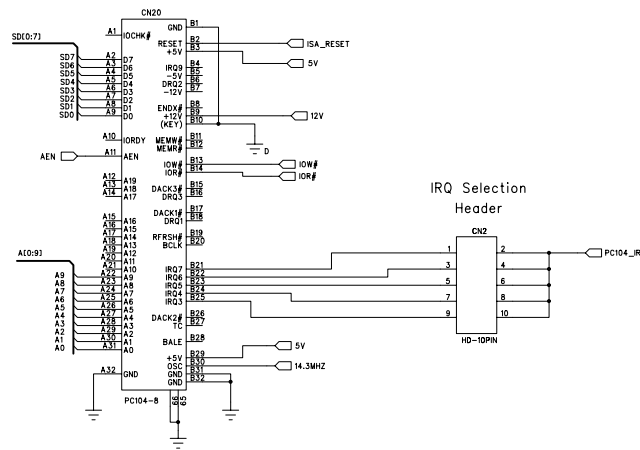


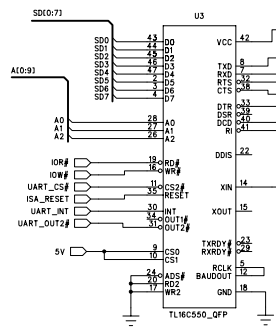
PC/104 Bus



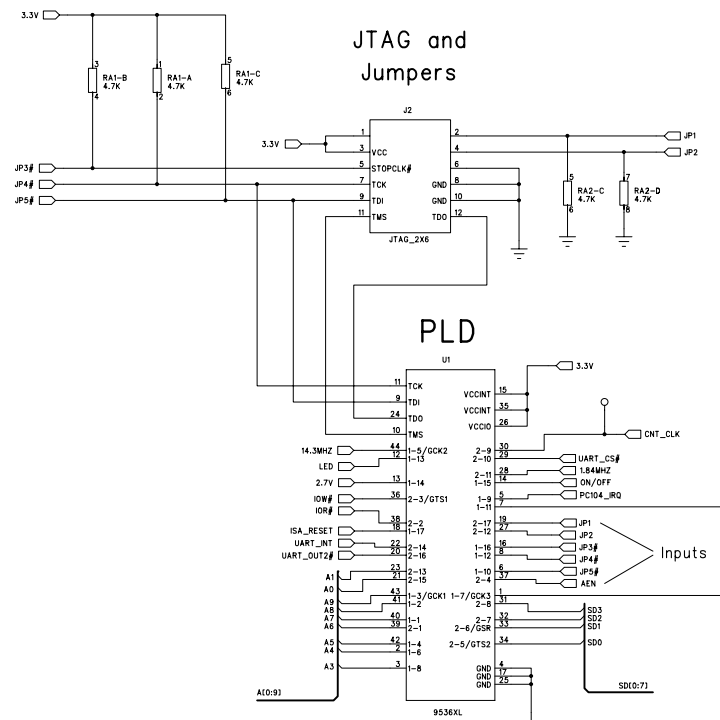
IRQ Selection Header



16C550 UART



JTAG and Jumpers



PLD

Inputs

ON/OFF output of 9536 must be "Open Drain"

- COM1 = 3F8
- COM2 = 2F8
- COM3 = 3E8
- COM4 = 2E8
- COM5 = 3A8
- COM6 = 2A8
- COM7 = 380
- COM8 = 388

