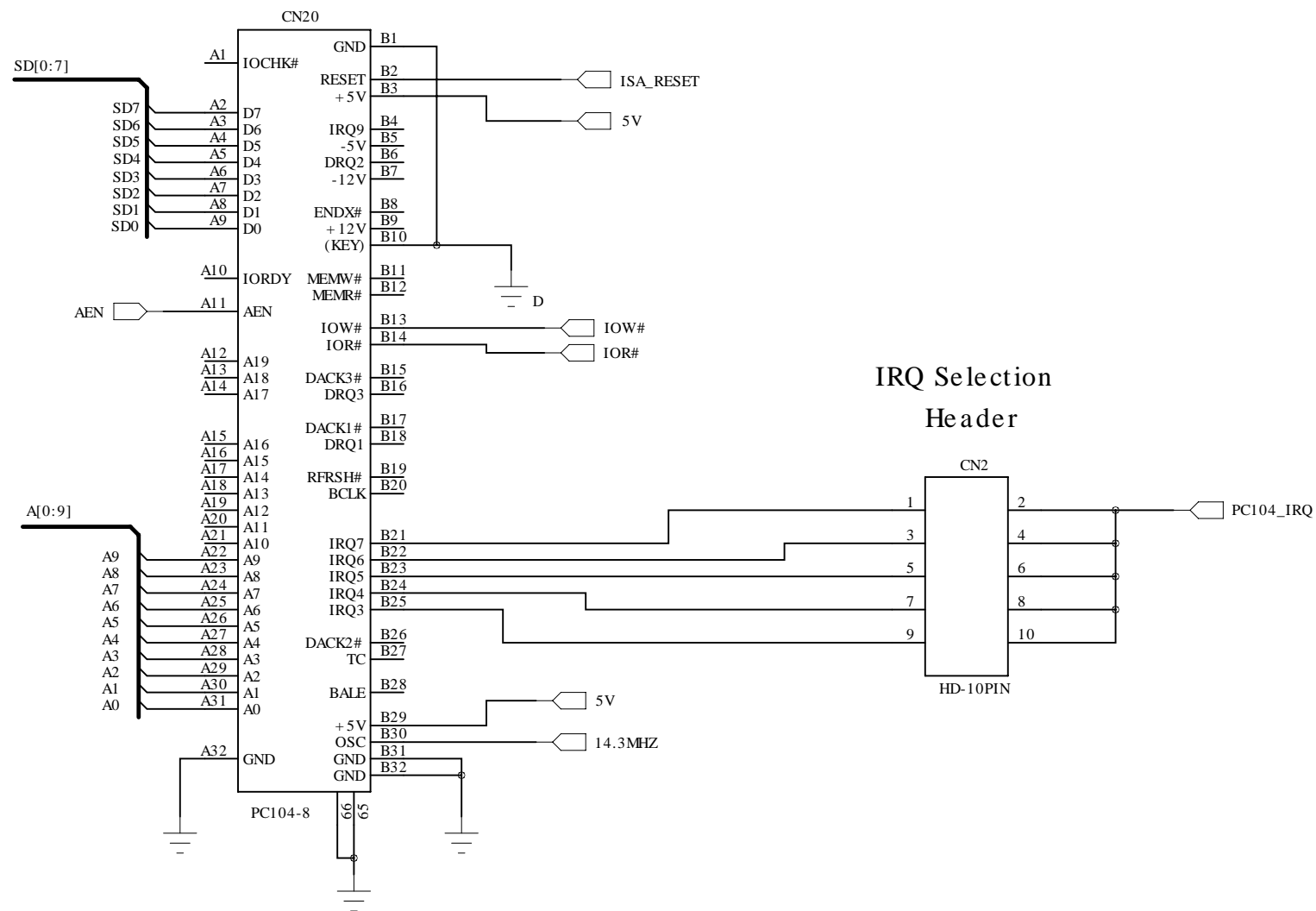
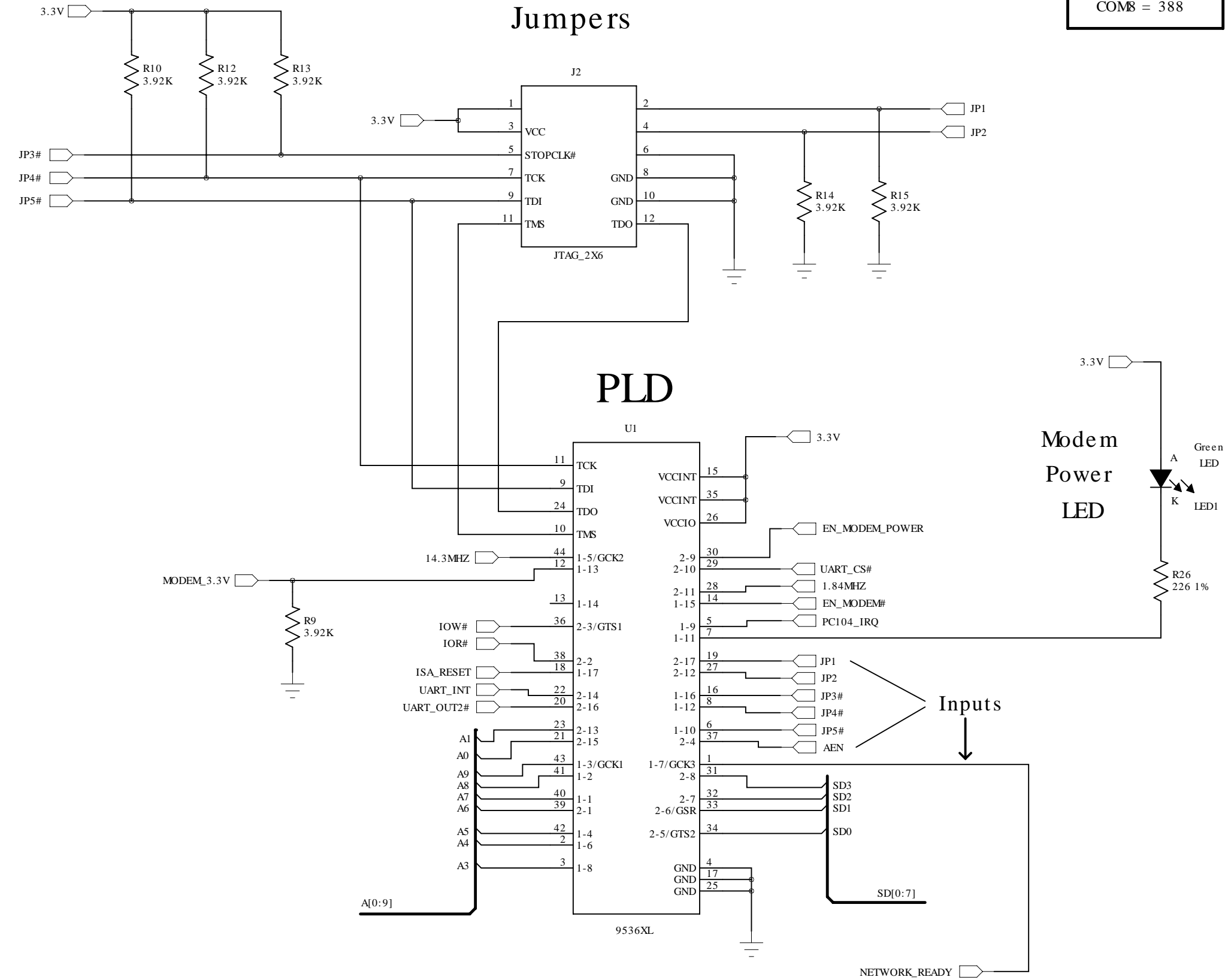


PC/104 Bus

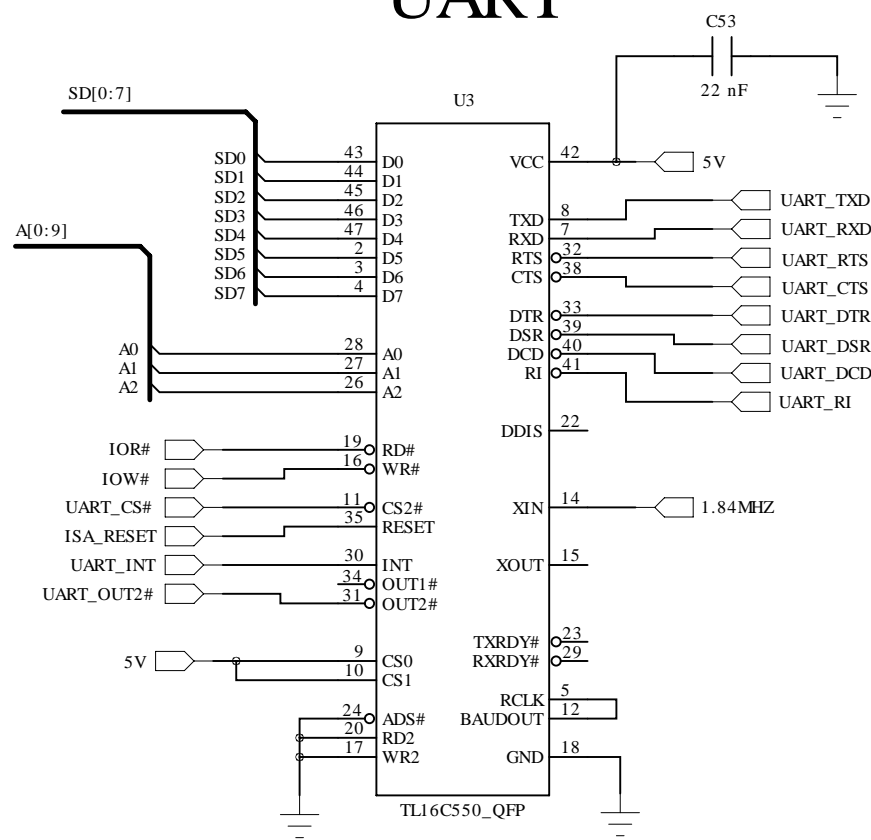


- COM1 = 3F8
- COM2 = 2F8
- COM3 = 3E8
- COM4 = 2E8
- COM5 = 3A8
- COM6 = 2A8
- COM7 = 380
- COM8 = 388

JTAG and Jumpers



16C550 UART

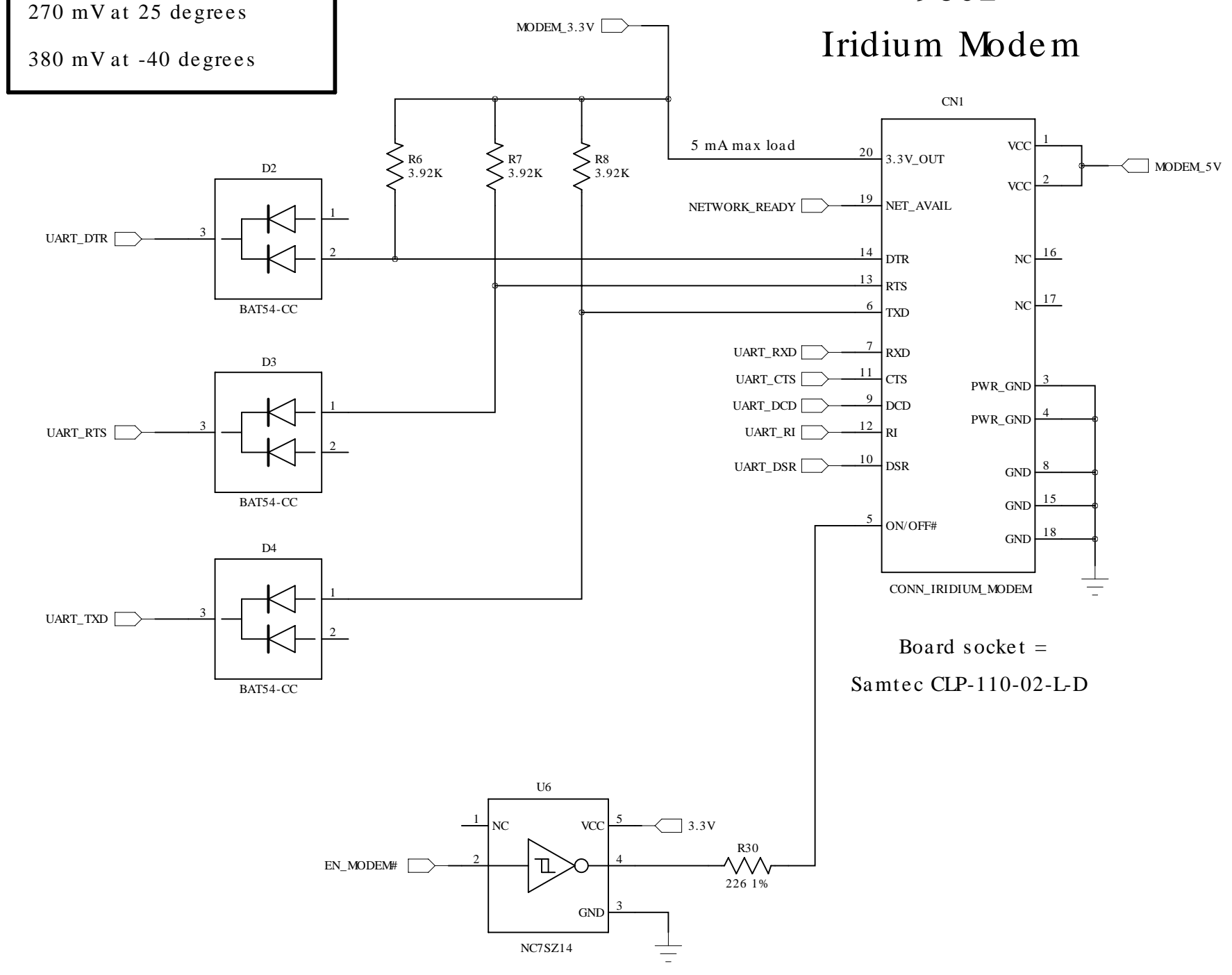


Technologic Systems	Date Jan. 12, 2011
Title: Iridium Modem PC/104, PLD,	
Rev: A	Designer RLM Sheet 1 of 2

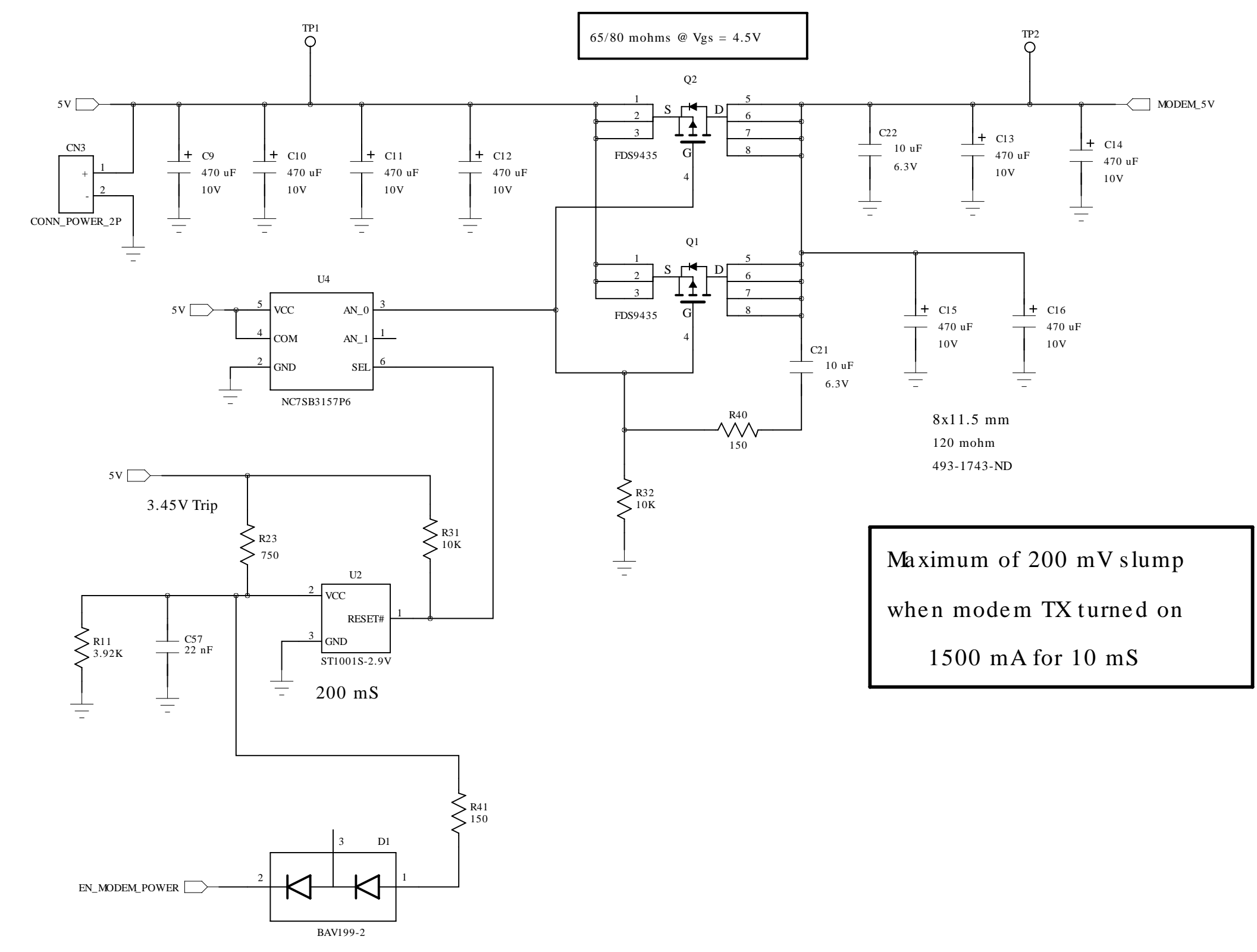
Modem power requirement
 Max. average current = 200 mA
 1500 mA max for 10 mS (TX)
 then < 100 mA for long time

BAT54 Vf @ 1 mA typ.
 270 mV at 25 degrees
 380 mV at -40 degrees

Socket for 9602 Iridium Modem

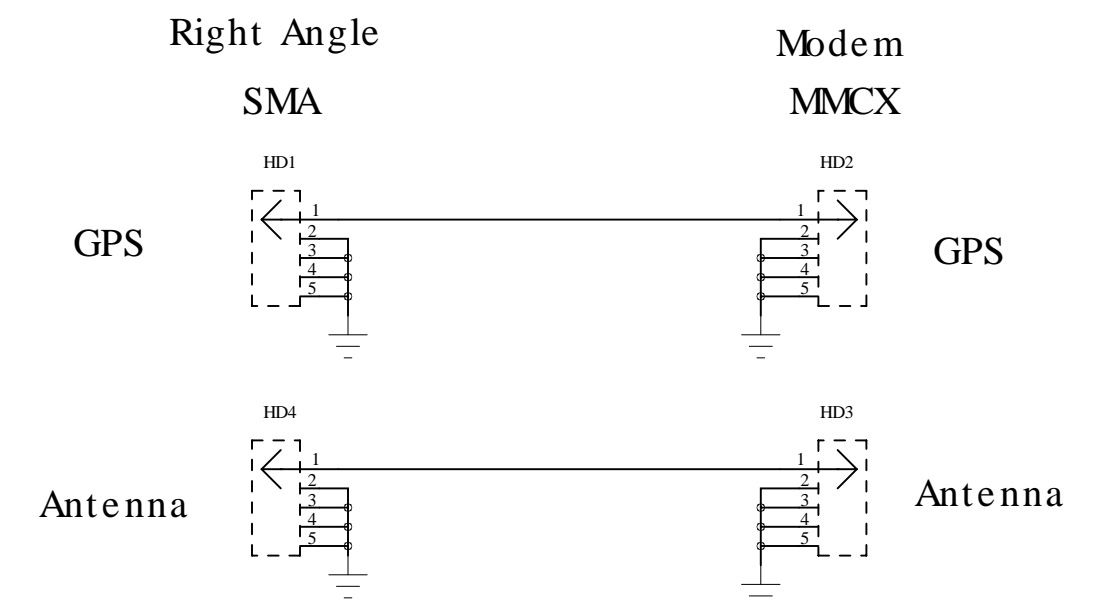


Controls 5V to modem ramp rate



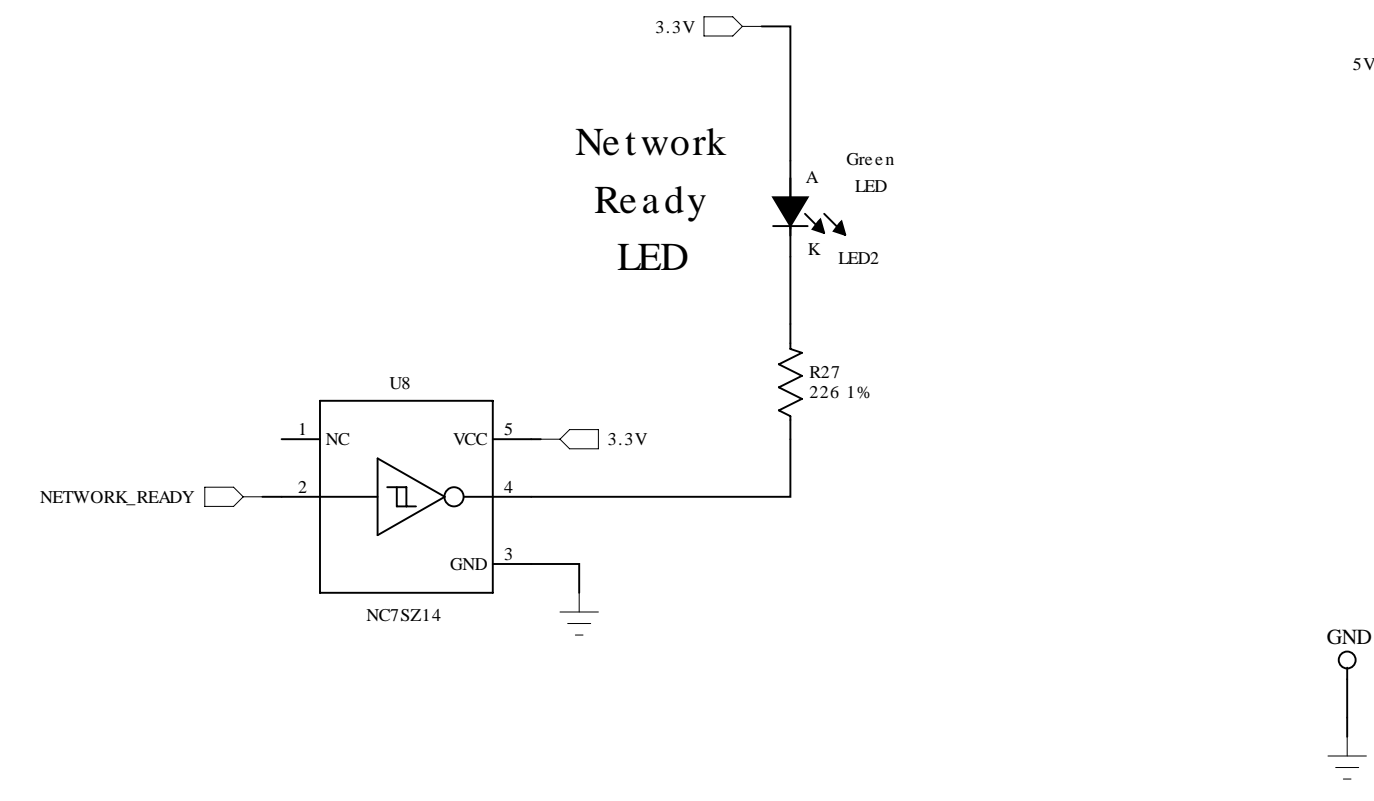
Maximum of 200 mV slump
 when modem TX turned on
 1500 mA for 10 mS

RF Connectors

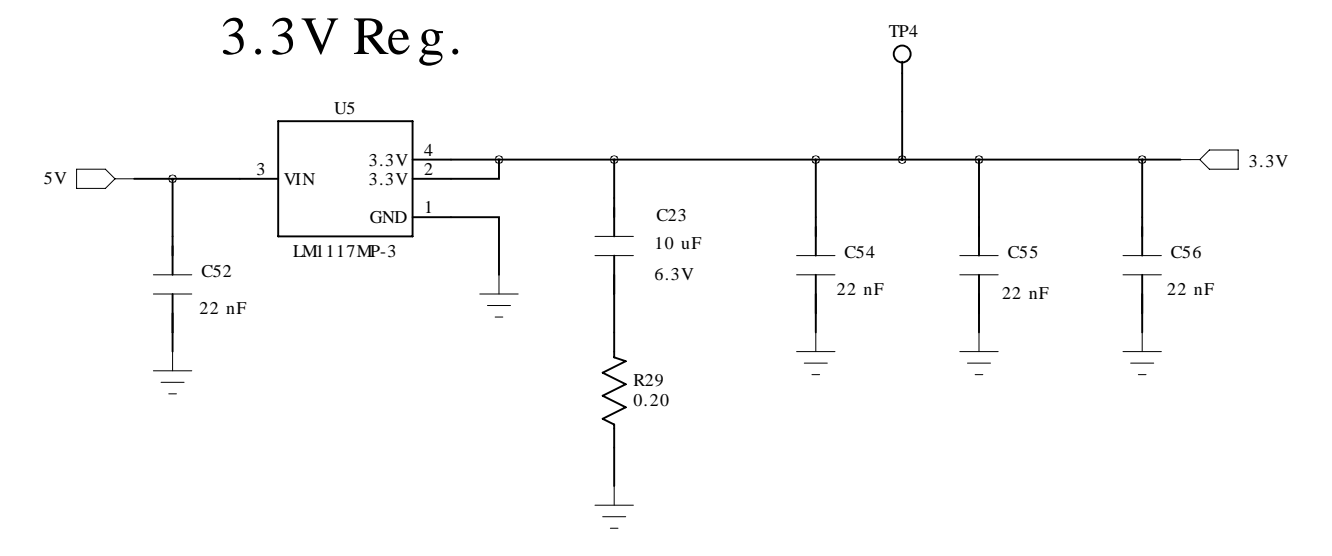


Tyco part #
 5-1814400-1
 A97593-ND

Samtec part #
 MMCX-P-P-H-ST-TH1



3.3V Reg.



Technologic Systems		Date Jan. 12, 2011	
Title: Power Supplies and Modem Socket			
Rev: A	Designer RLM	Sheet 2 of 2	