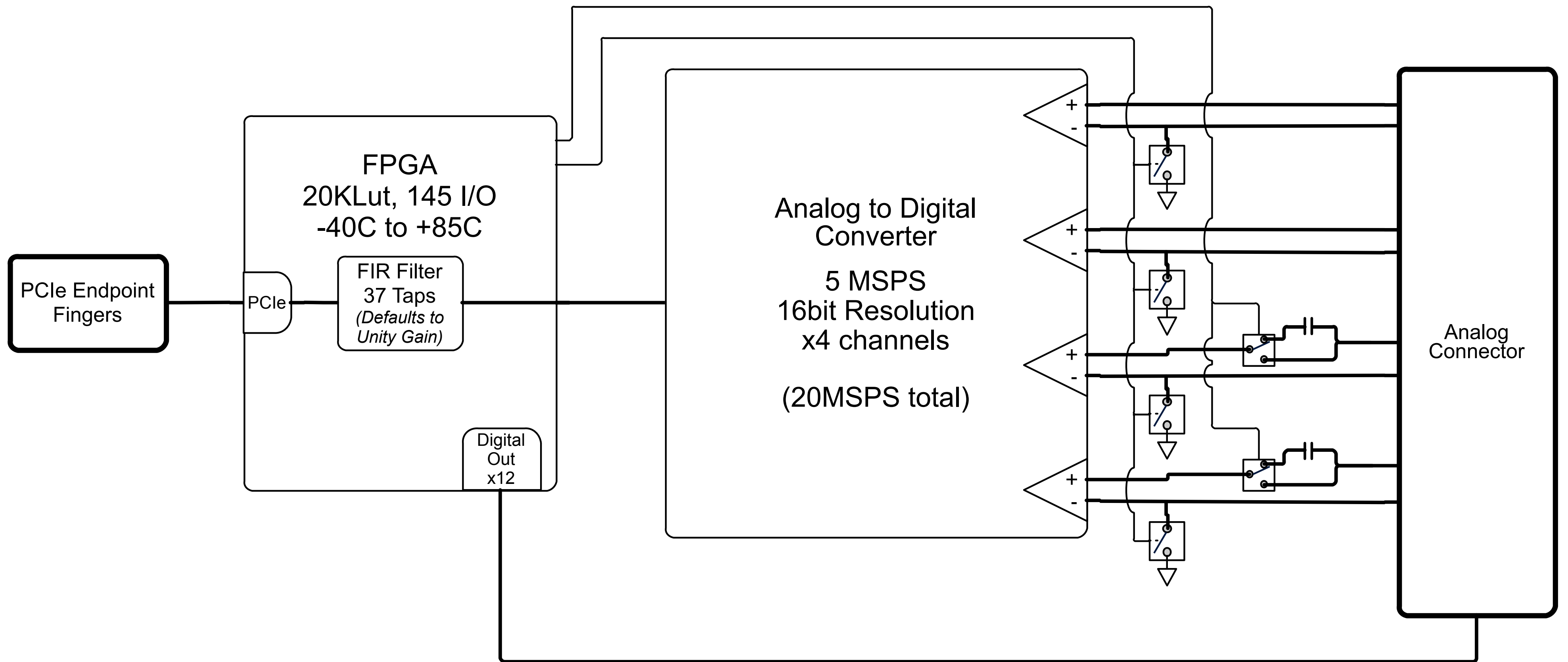
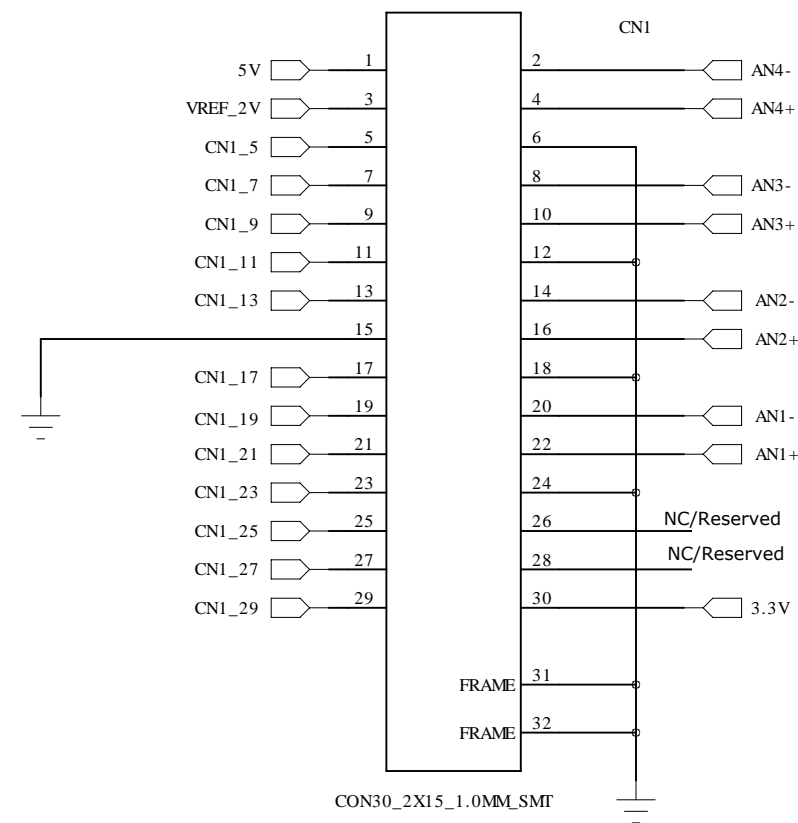


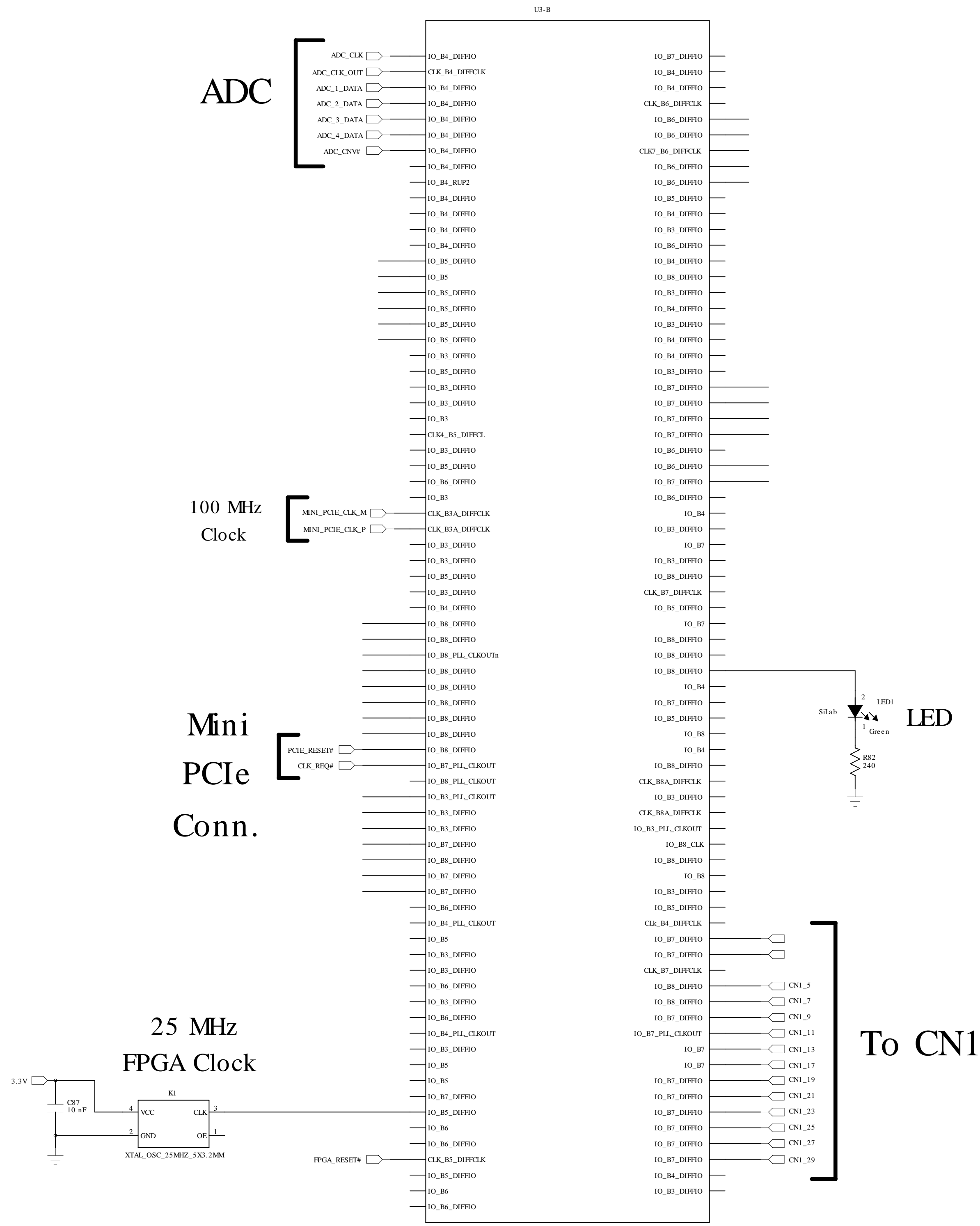
# TS-MINI-ADC Rev P2



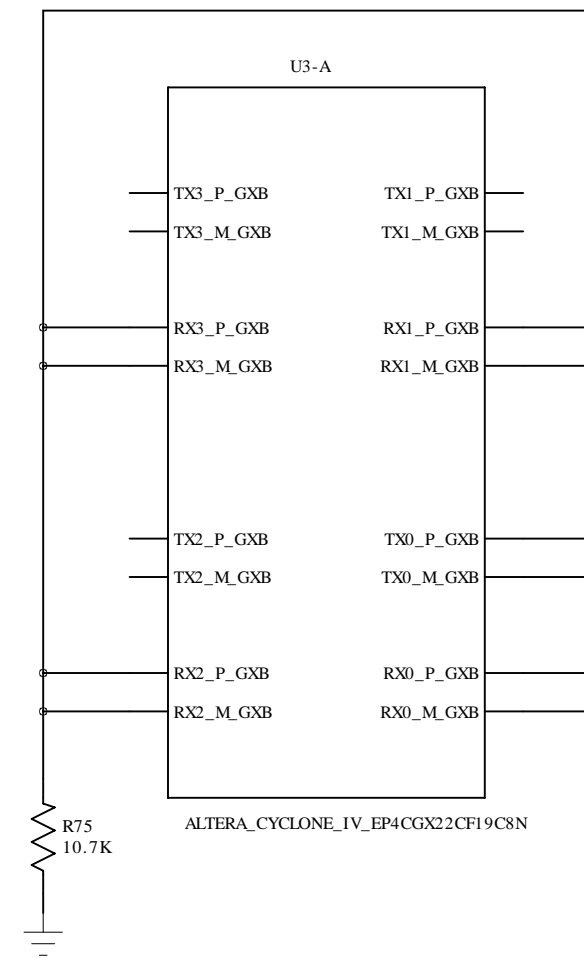
# Analog Input Interface + Digital Output 30 Pin Conn.



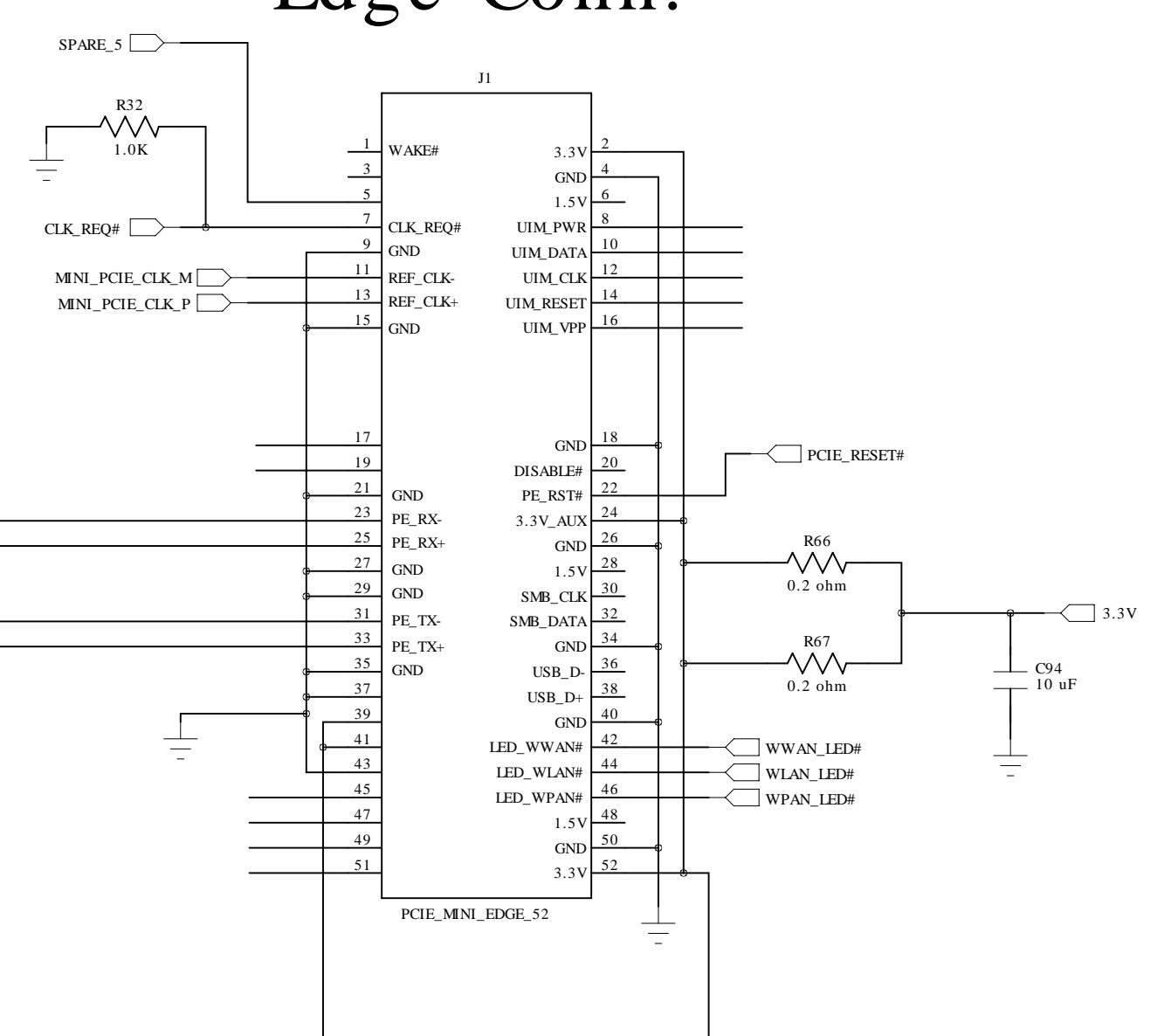
# FPGA DIO



# FPGA Transceivers

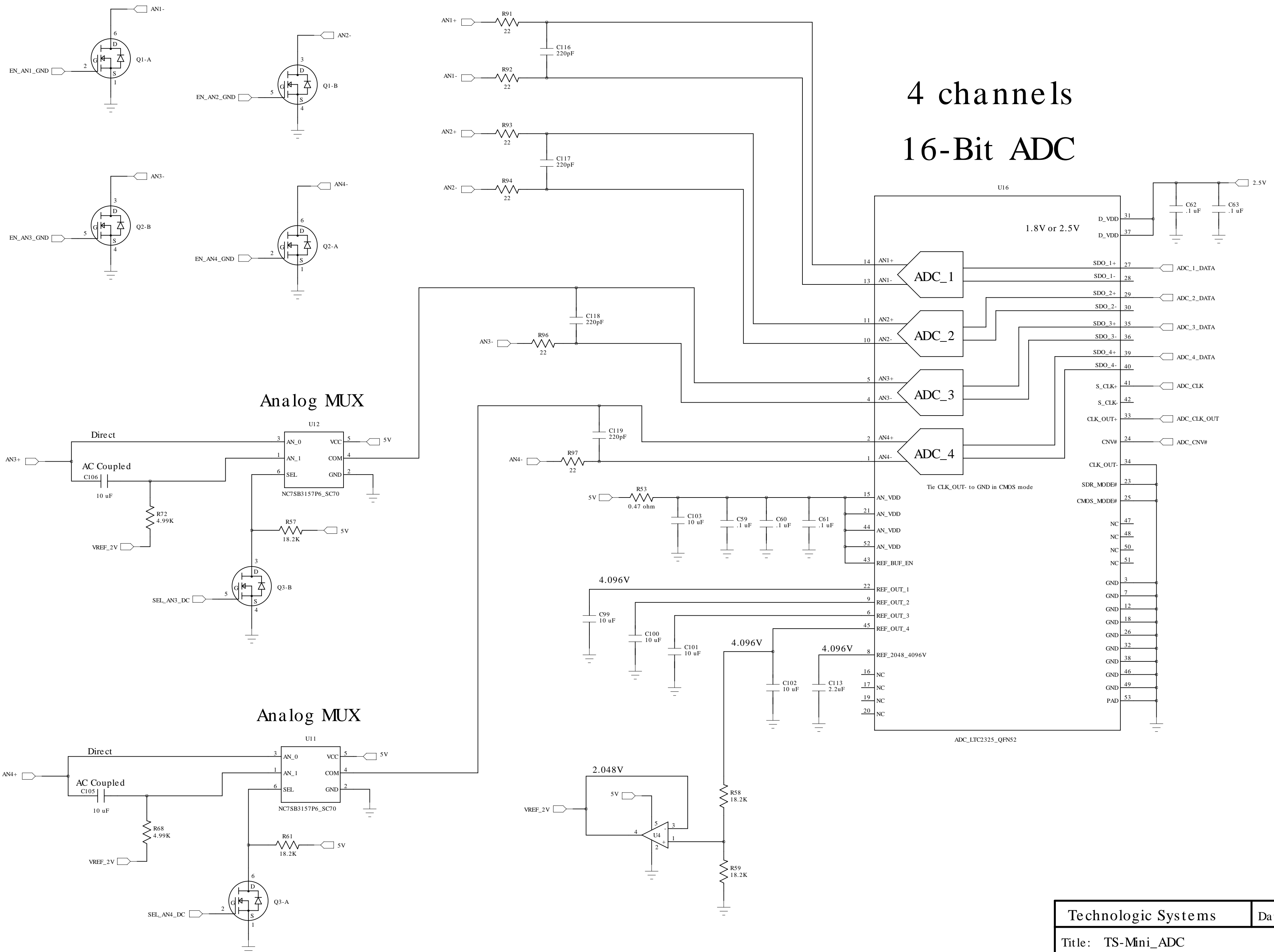


# Mini PCIe Edge Conn.



# 5 Mega-Samples per sec.

## 4 channels 16-Bit ADC



Technologic Systems	Date Oct. 5, 2017
Title: TS-Mini_ADC	
Rev: P2	Designer
Sheet 7 of 7	