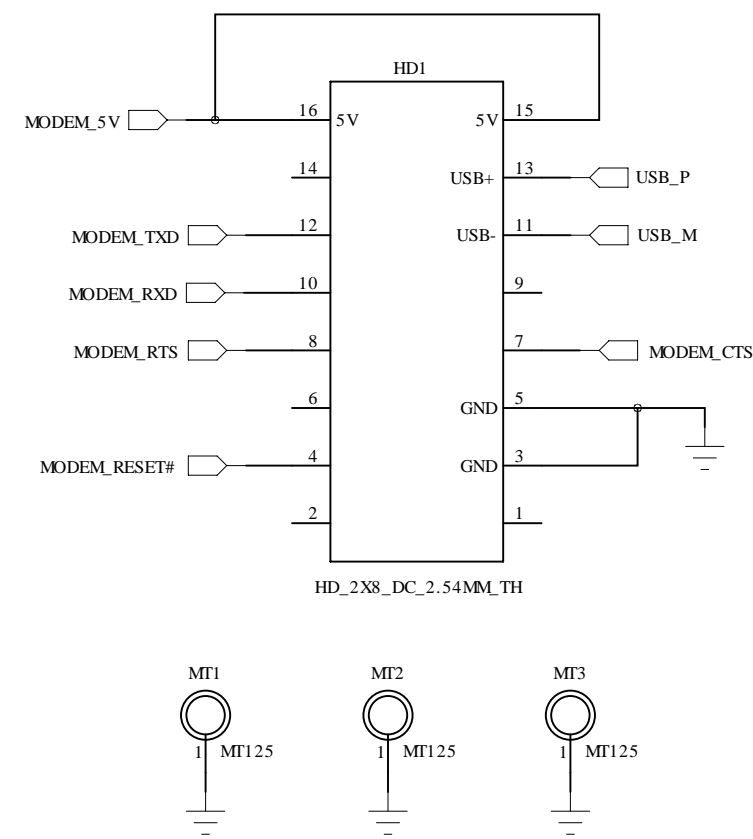
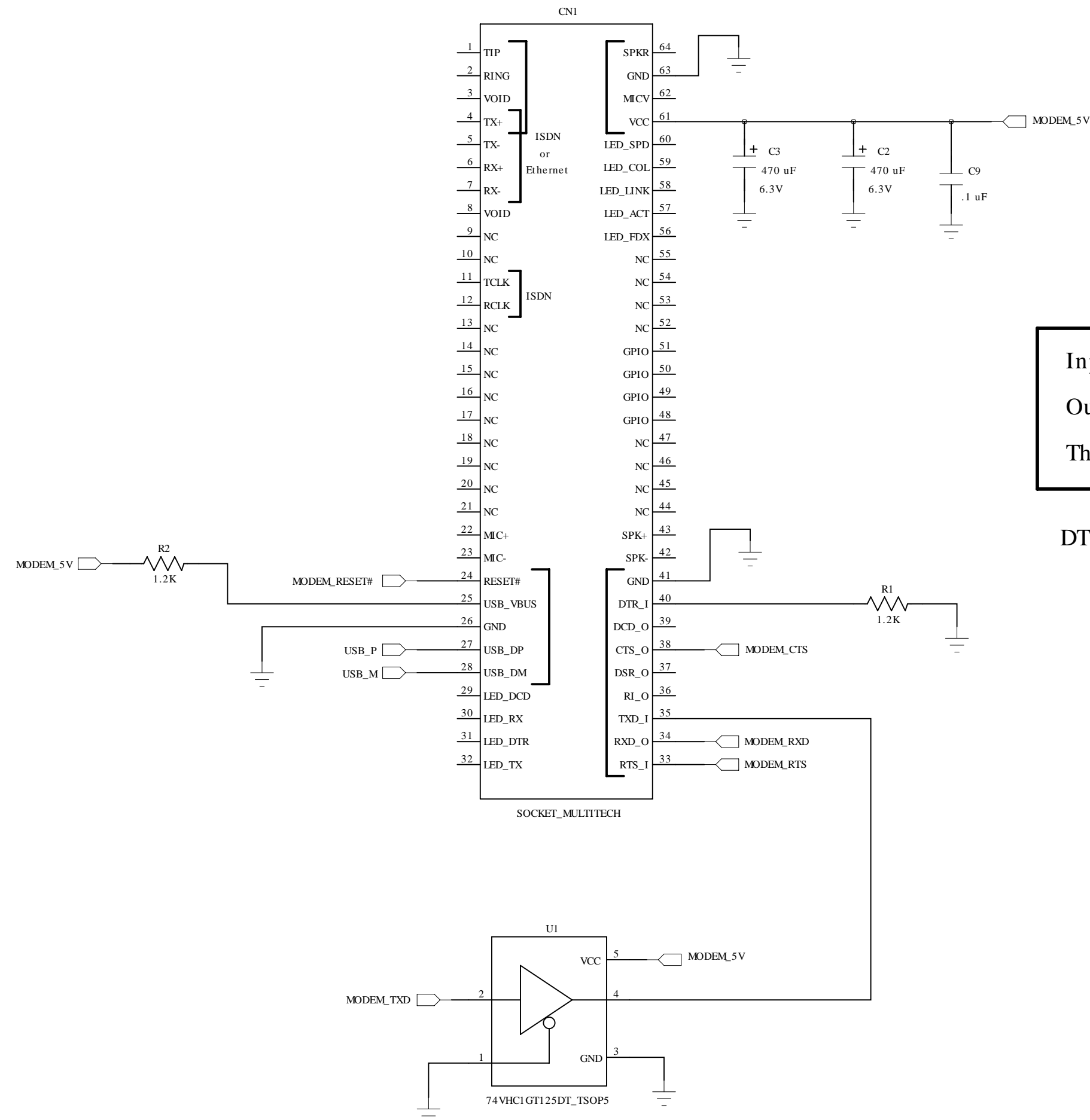


Daughter Card for Multitech Modem

Cell Modem Interface



Modem



Inputs (TXD) are always TTL compatible
 Outputs (RXD) swing CMOS levels
 This means 0-5V if 5V powered

DTR and RTS are active low true Inputs