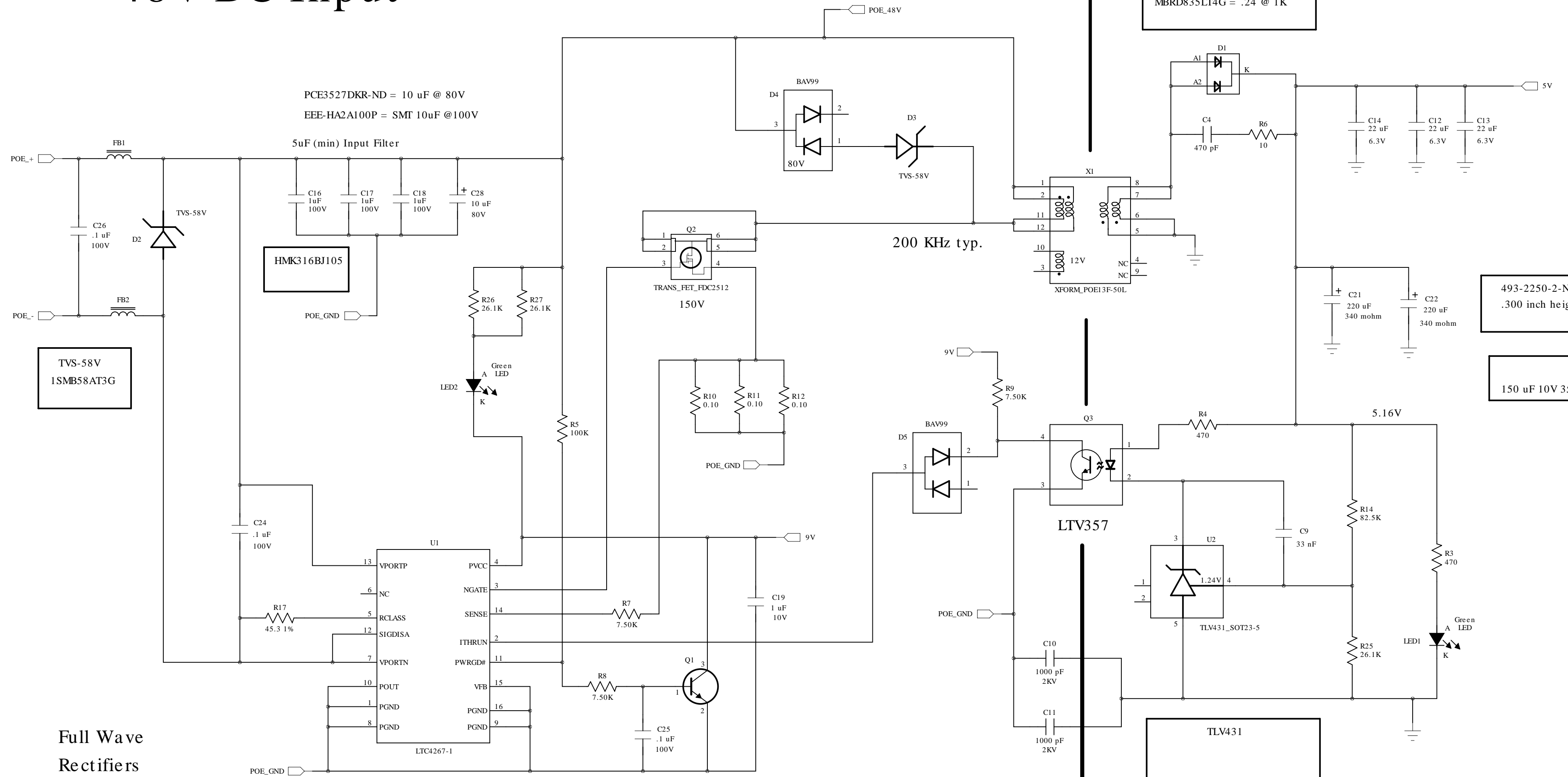


POE Side 48V DC Input

Reg. 5V Out



510 mV @ 8A VR=35V
MBRD835LT4G = .24 @ 1K

PCE3527DKR-ND = 10 uF @ 80V
EEE-HA2A100P = SMT 10uF @100V

TVS-58V
1SMB58AT3G

HMK316BJ105

200 KHz typ.

493-2250-2-ND
.300 inch height

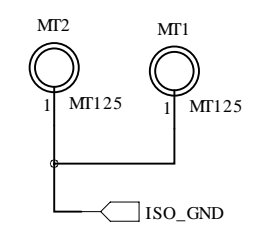
150 uF 10V 35 mohm

Power Good Circuit
is optional

202R18W102KV4E
1000 pF @ 2KV

TLV431

C2012X5R0J106K
ECJ-2FB0J106M
10 uF 6.3V
0805



Full Wave Rectifiers

