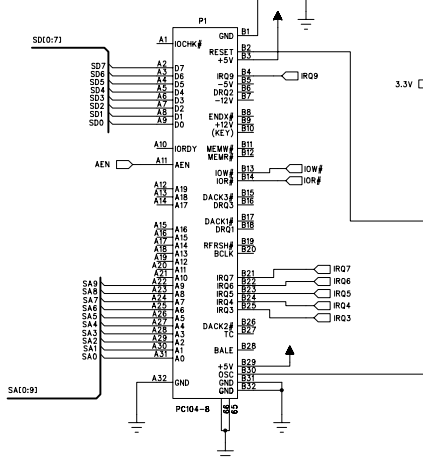


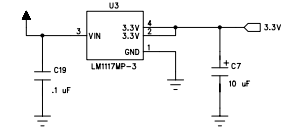
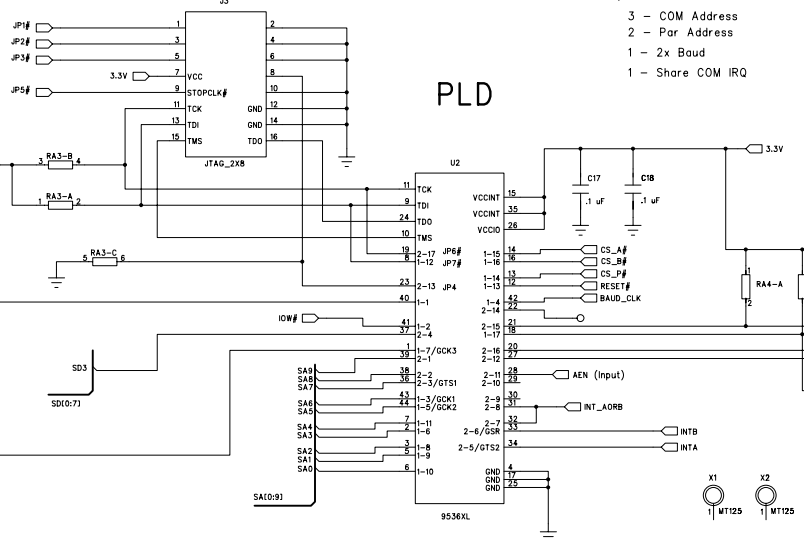
PC/104 Bus



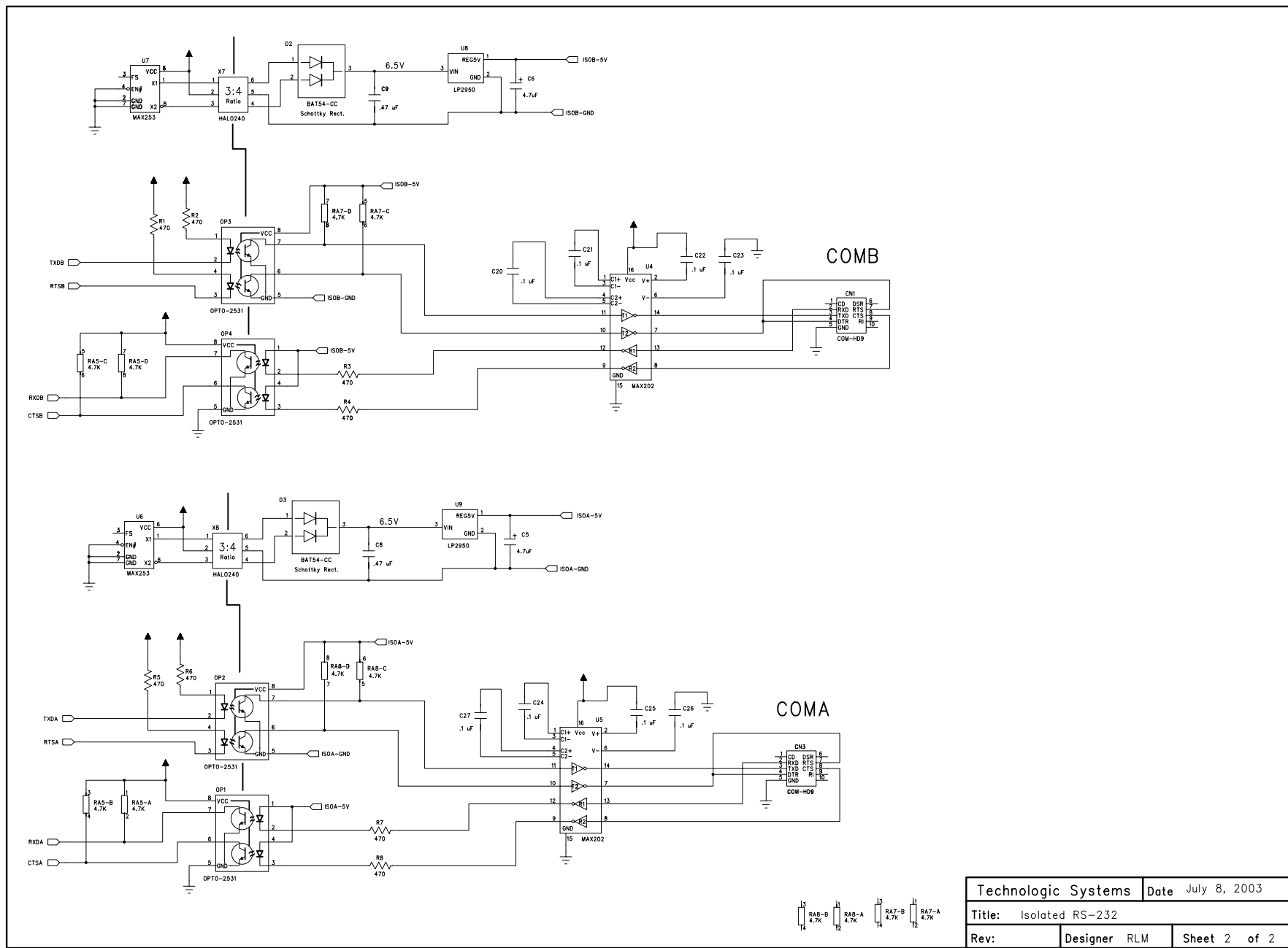
Jumpers:

- 3 - COM Address
- 2 - Par Address
- 1 - 2x Baud
- 1 - Shore COM IRQ

PLD



Technologic Systems		Date	July 8, 2003
Title: TS-SER2		Rev	B
Rev: 1.0	Designer	RLM	Sheet 1 of 1



Technologic Systems	Date July 8, 2003
Title: Isolated RS-232	
Rev:	Designer RLM Sheet 2 of 2

