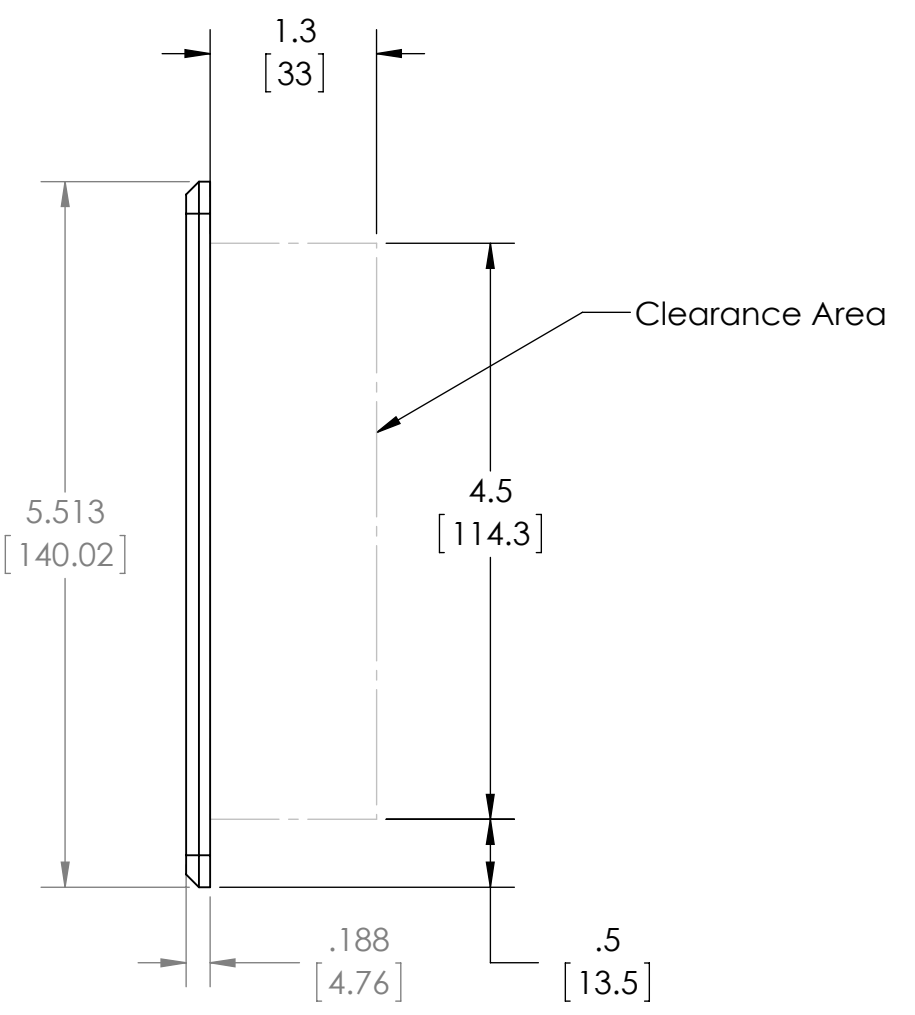
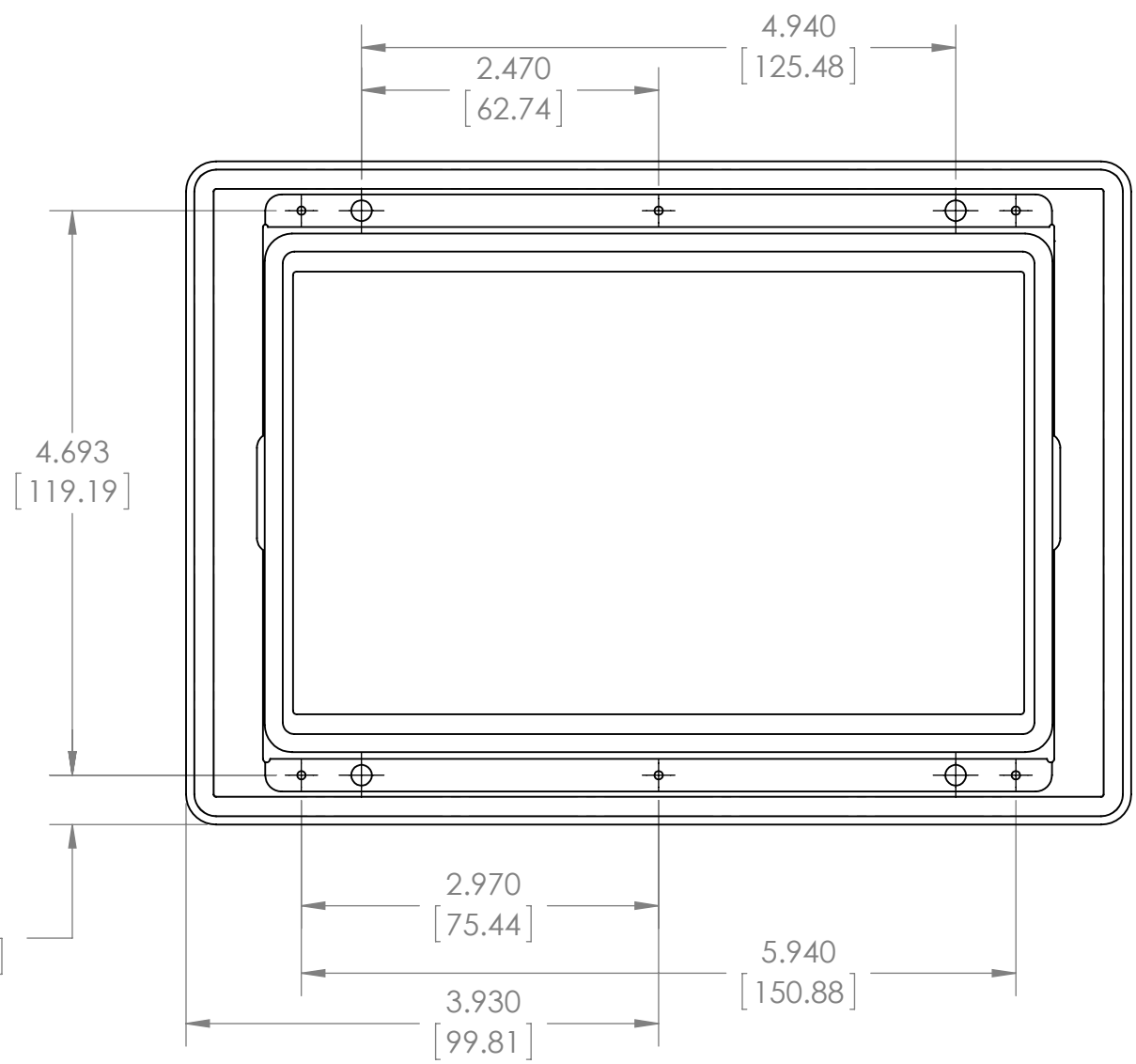
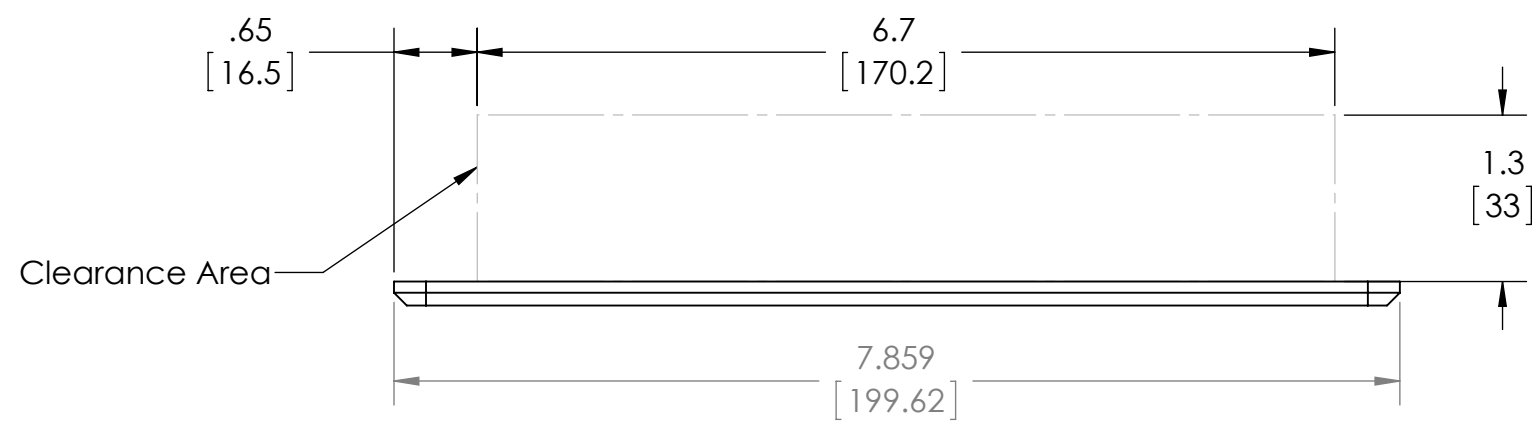


REVISIONS				
ZONE	REV.	DESCRIPTION	DATE	APPROVED
	A0.0	Original Release	9/12/2016	JRK



GENERAL NOTES:

1. All dimension in inches and [Millimeters]

PROPRIETARY AND CONFIDENTIAL
 THE INFORMATION CONTAINED IN THIS DRAWING IS THE SOLE PROPERTY OF **Technologic Systems**. ANY REPRODUCTION IN PART OR AS A WHOLE WITHOUT THE WRITTEN PERMISSION OF **Technologic Systems** IS PROHIBITED.

NEXT ASSY	USED ON	
APPLICATION		DO NOT SCALE DRAWING

UNLESS OTHERWISE SPECIFIED:
 DIMENSIONS ARE IN INCHES
 TOLERANCES:
 FRACTIONAL ± 1/64
 ANGULAR: MACH ± .25° BEND ± 1°
 x.xxx ± .005
 x.xx ± .010
 x.x ± .020
 INTERPRET GEOMETRIC TOLERANCING PER:
 MATERIAL N/A
 FINISH N/A

	NAME	DATE
DRAWN	JRK	9/12/16
CHECKED	JRK	9/12/16
ENG APPR.		
MFG APPR.		
Q.A.		
COMMENTS:		



TITLE: **TS-7390 Mounting & Clearance**

SIZE	DWG. NO.	A0.0
B	02-0926-7	
SCALE: NONE	SHEET 1 OF 1	