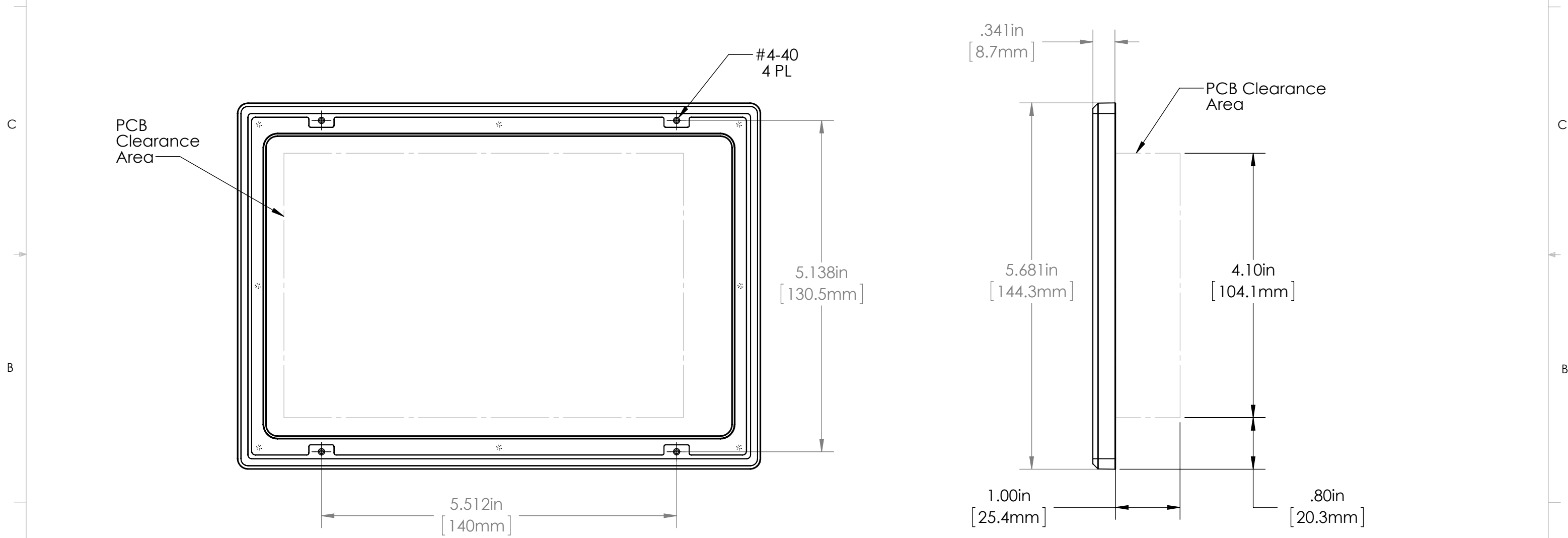


REVISIONS				
ZONE	REV.	DESCRIPTION	DATE	APPROVED
	A0.0	Original Release	9/23/2016	JRK



**GENERAL NOTES:**

- All dimensions in Inches and [Millimeters]

**PROPRIETARY AND CONFIDENTIAL**  
 THE INFORMATION CONTAINED IN THIS DRAWING IS THE SOLE PROPERTY OF **Technologic Systems**. ANY REPRODUCTION IN PART OR AS A WHOLE WITHOUT THE WRITTEN PERMISSION OF **Technologic Systems** IS PROHIBITED.

UNLESS OTHERWISE SPECIFIED:	NAME	DATE
DIMENSIONS ARE IN INCHES	DRAWN	JRK 9/23/16
TOLERANCES:	CHECKED	JRK 9/23/16
FRACTIONAL ± 1/64	ENG APPR.	
ANGULAR: MACH ± .25° BEND ± 1°	MFG APPR.	
x.xxx ± .005	Q.A.	
x.xx ± .010	COMMENTS:	
x.x ± .020		
INTERPRET GEOMETRIC TOLERANCING PER:		
MATERIAL	None	
FINISH	None	
APPLICATION	DO NOT SCALE DRAWING	

**Technologic Systems**

**TITLE:** TS-TPC-7990, Mounting & Clearance

**SIZE:** **B** **DWG. NO.:** 02-7595-5 **A0.0**

**SCALE:** NONE **SHEET 1 OF 1**