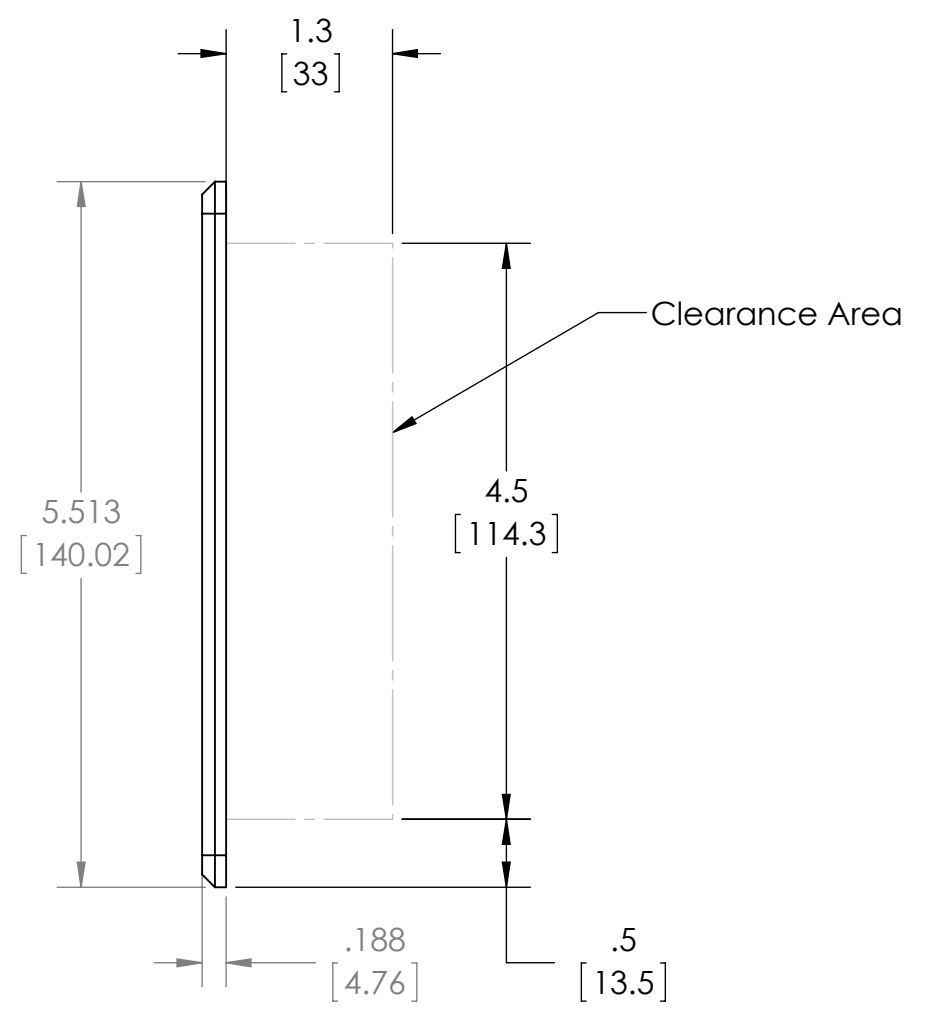
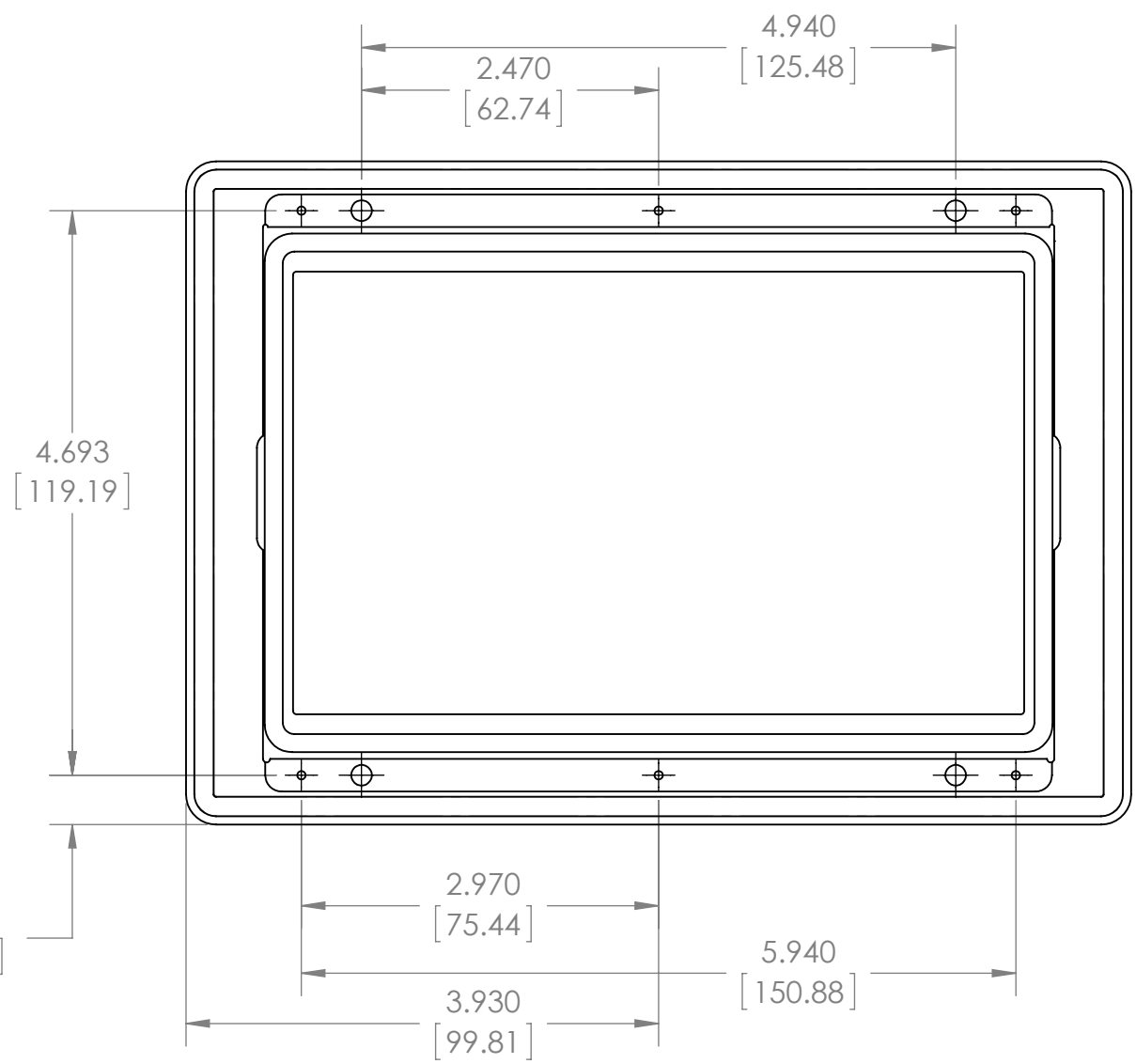
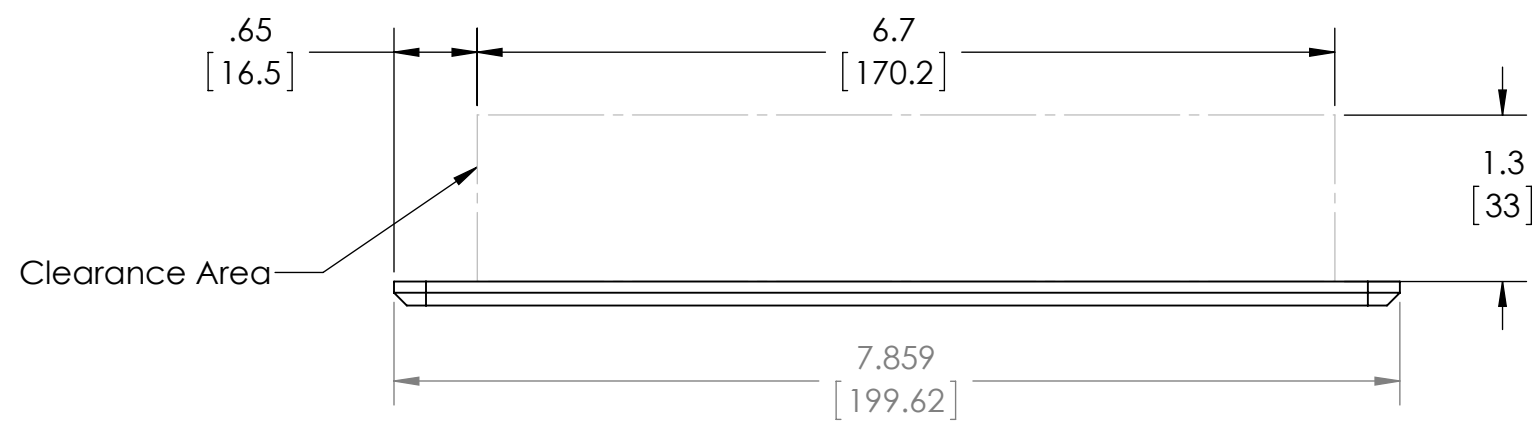


REVISIONS				
ZONE	REV.	DESCRIPTION	DATE	APPROVED
	A0.0	Original Release	5/1/2017	JRK



**GENERAL NOTES:**

1. All dimension in inches and [Millimeters]

**PROPRIETARY AND CONFIDENTIAL**  
 THE INFORMATION CONTAINED IN THIS DRAWING IS THE SOLE PROPERTY OF **Technologic Systems**. ANY REPRODUCTION IN PART OR AS A WHOLE WITHOUT THE WRITTEN PERMISSION OF **Technologic Systems** IS PROHIBITED.

NEXT ASSY	USED ON	
APPLICATION		DO NOT SCALE DRAWING

UNLESS OTHERWISE SPECIFIED:  
 DIMENSIONS ARE IN INCHES  
 TOLERANCES:  
 FRACTIONAL ± 1/64  
 ANGULAR: MACH ± .25° BEND ± 1°  
 x.xxx ± .005  
 x.xx ± .010  
 x.x ± .020  
 INTERPRET GEOMETRIC TOLERANCING PER:  
 MATERIAL N/A  
 FINISH N/A

	NAME	DATE
DRAWN	JRK	5/1/17
CHECKED		
ENG APPR.		
MFG APPR.		
Q.A.		
COMMENTS:		

**Technologic Systems**

TITLE: **TS-8390 Mounting & Clearance**

SIZE <b>B</b>	DWG. NO. <b>02-0003-6</b>	A0.0
SCALE: NONE	SHEET 1 OF 1	