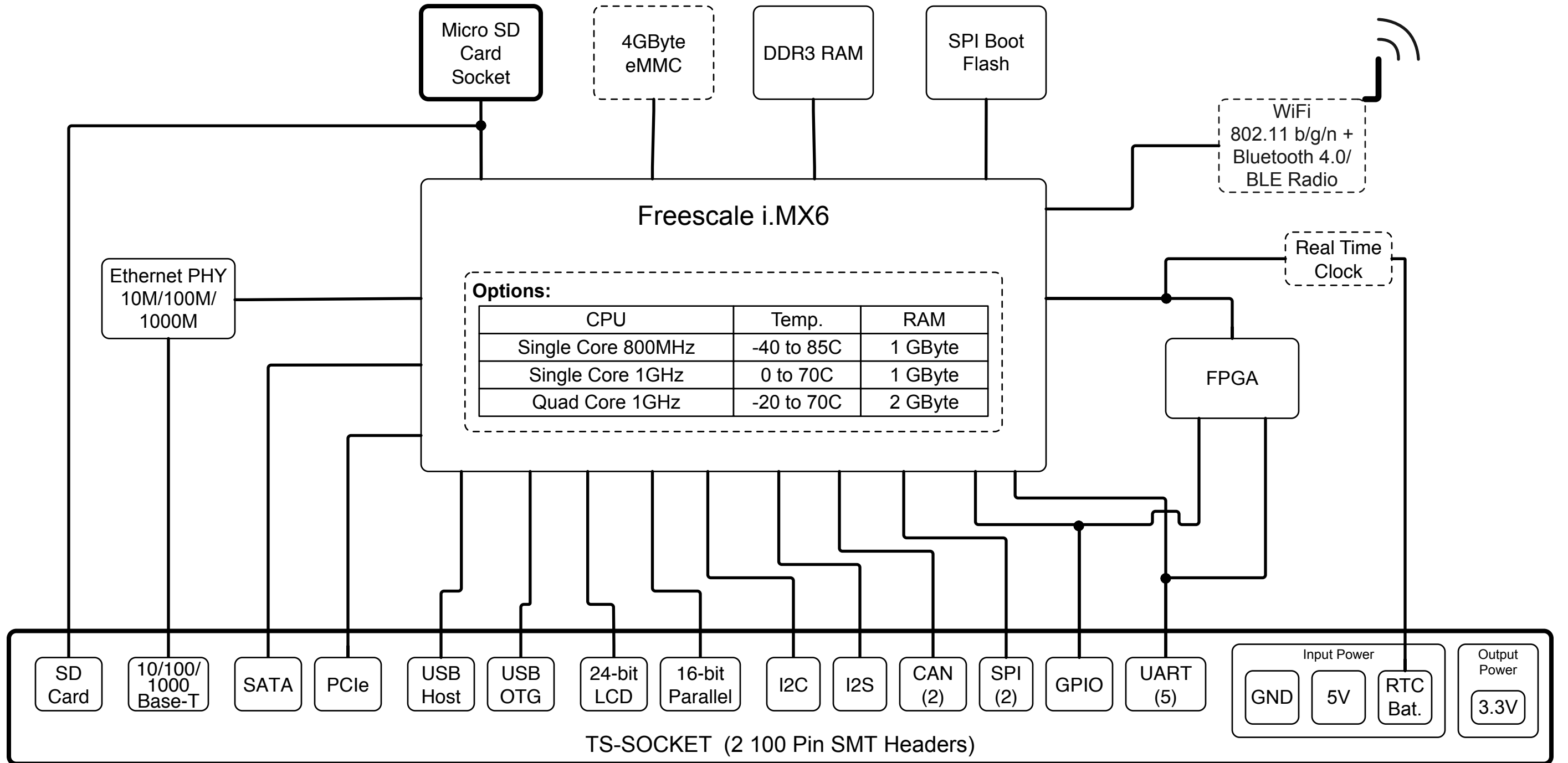


System Level Block Diagram

TS-4900 COM



----- = Optional Feature