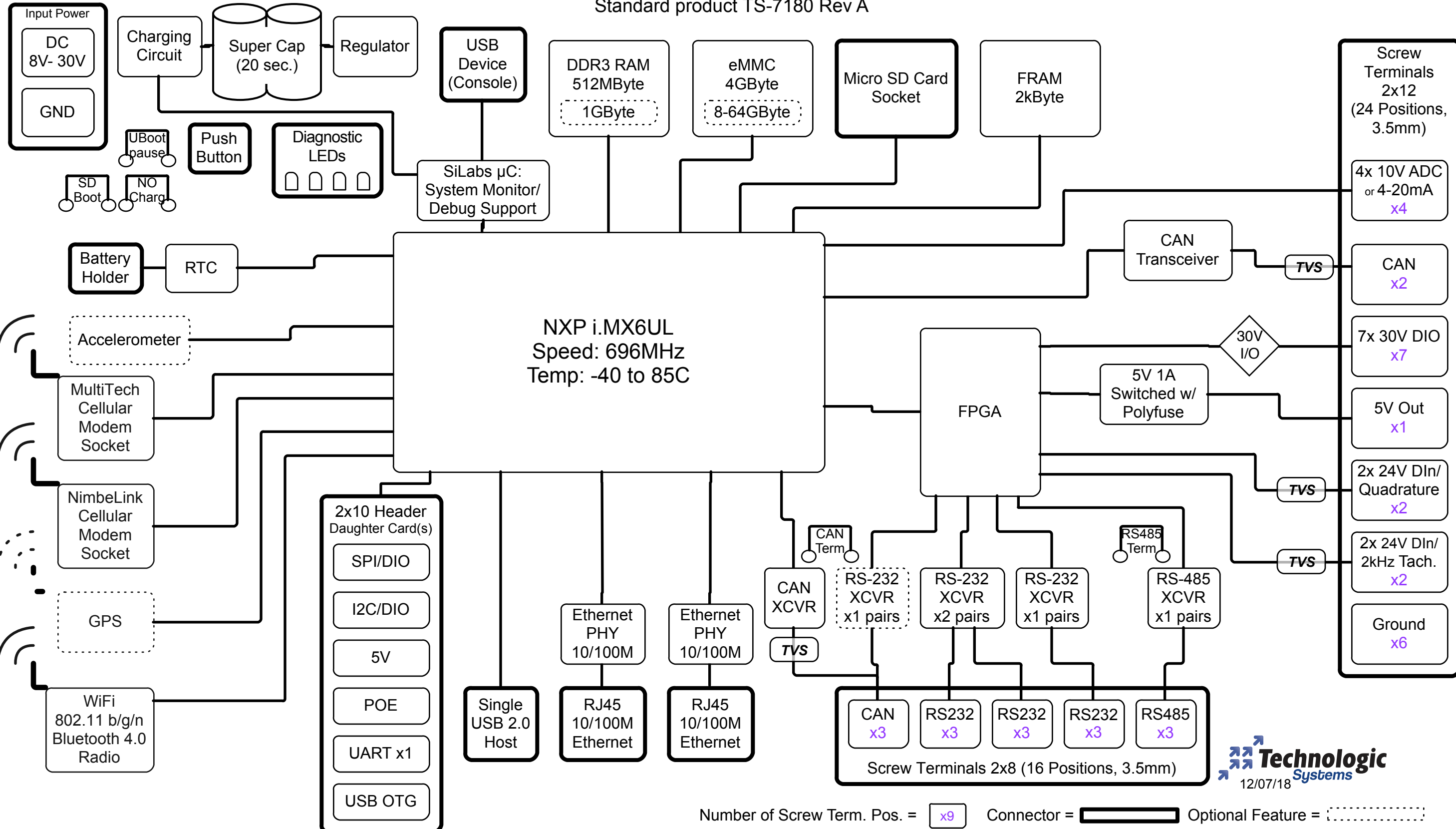


# System Level Block Diagram

Standard product TS-7180 Rev A



Number of Screw Term. Pos. = x9 Connector =  Optional Feature =